



Chipsmall Limited consists of a professional team with an average of over 10 year of expertise in the distribution of electronic components. Based in Hongkong, we have already established firm and mutual-benefit business relationships with customers from,Europe,America and south Asia,supplying obsolete and hard-to-find components to meet their specific needs.

With the principle of “Quality Parts,Customers Priority,Honest Operation,and Considerate Service”,our business mainly focus on the distribution of electronic components. Line cards we deal with include Microchip,ALPS,ROHM,Xilinx,Pulse,ON,Everlight and Freescale. Main products comprise IC,Modules,Potentiometer,IC Socket,Relay,Connector.Our parts cover such applications as commercial,industrial, and automotives areas.

We are looking forward to setting up business relationship with you and hope to provide you with the best service and solution. Let us make a better world for our industry!



Contact us

Tel: +86-755-8981 8866 Fax: +86-755-8427 6832

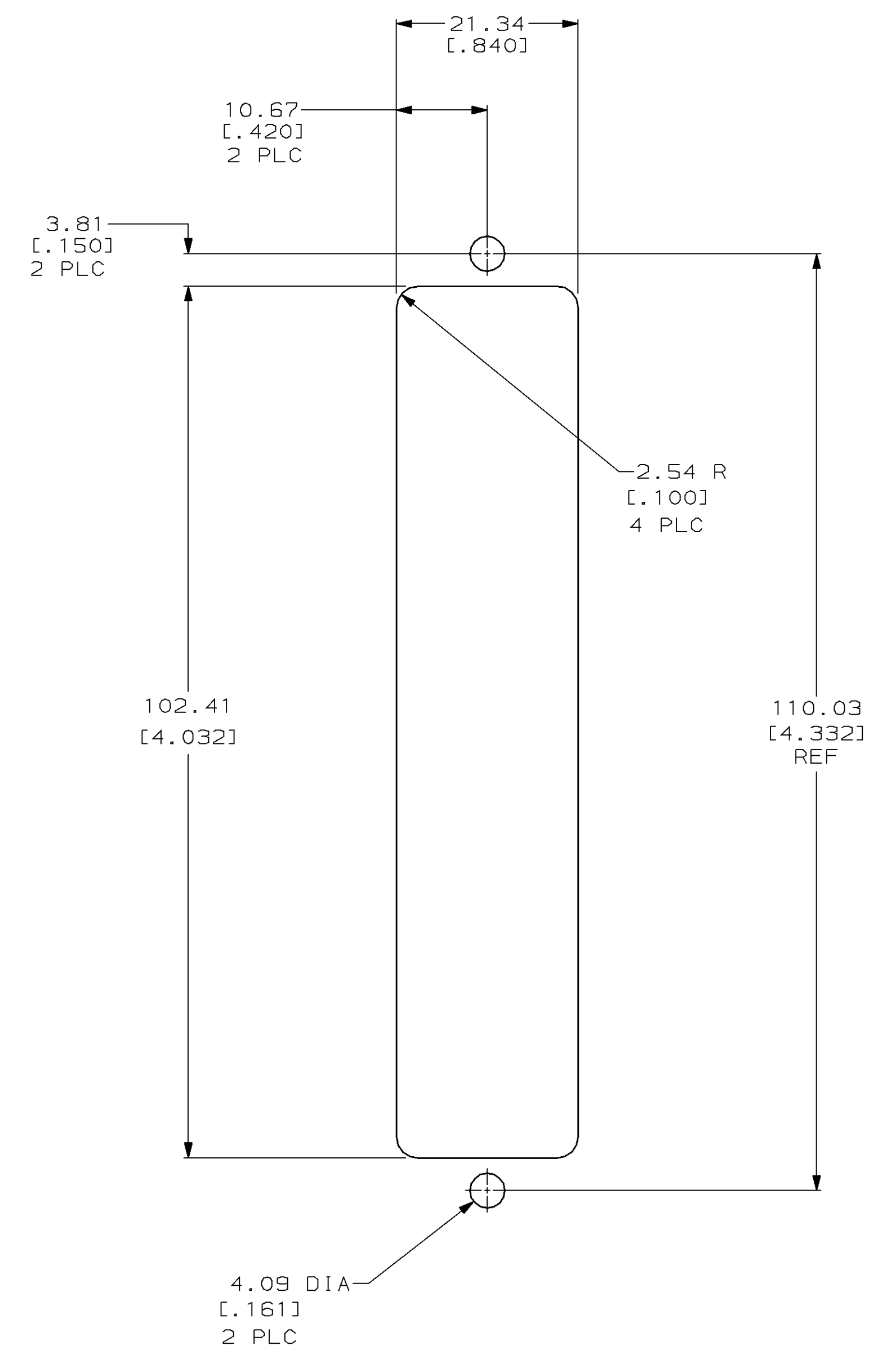
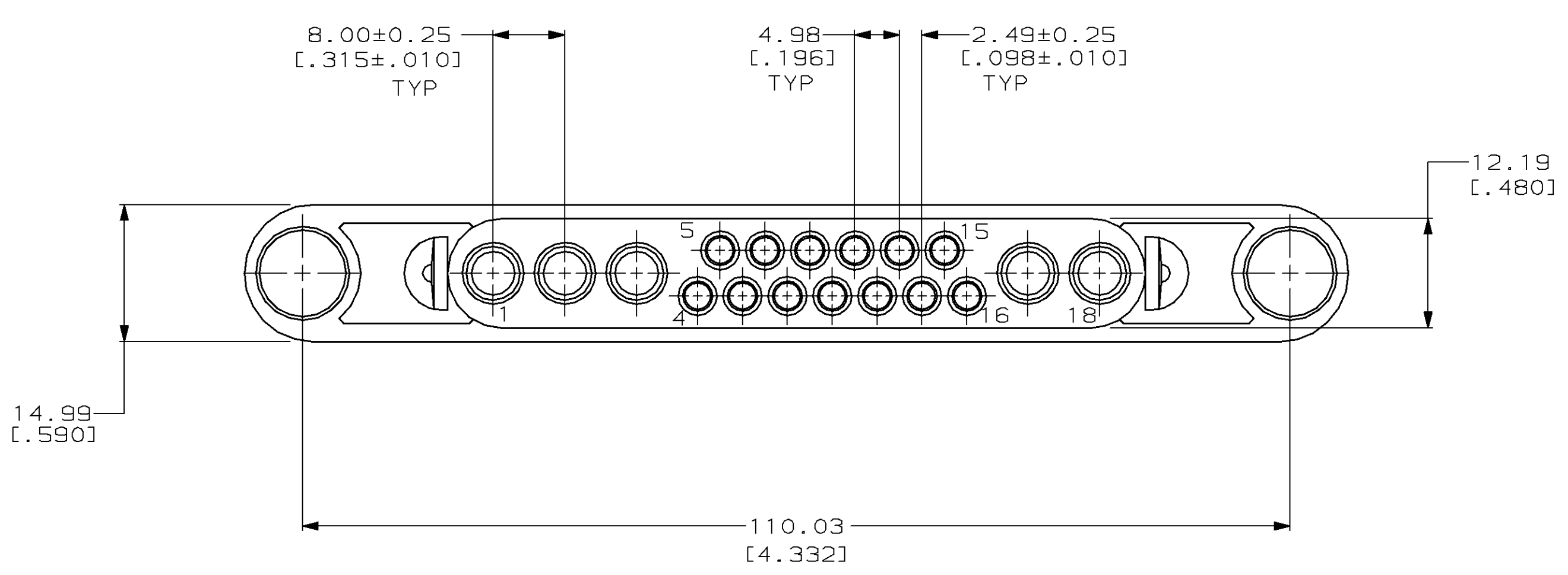
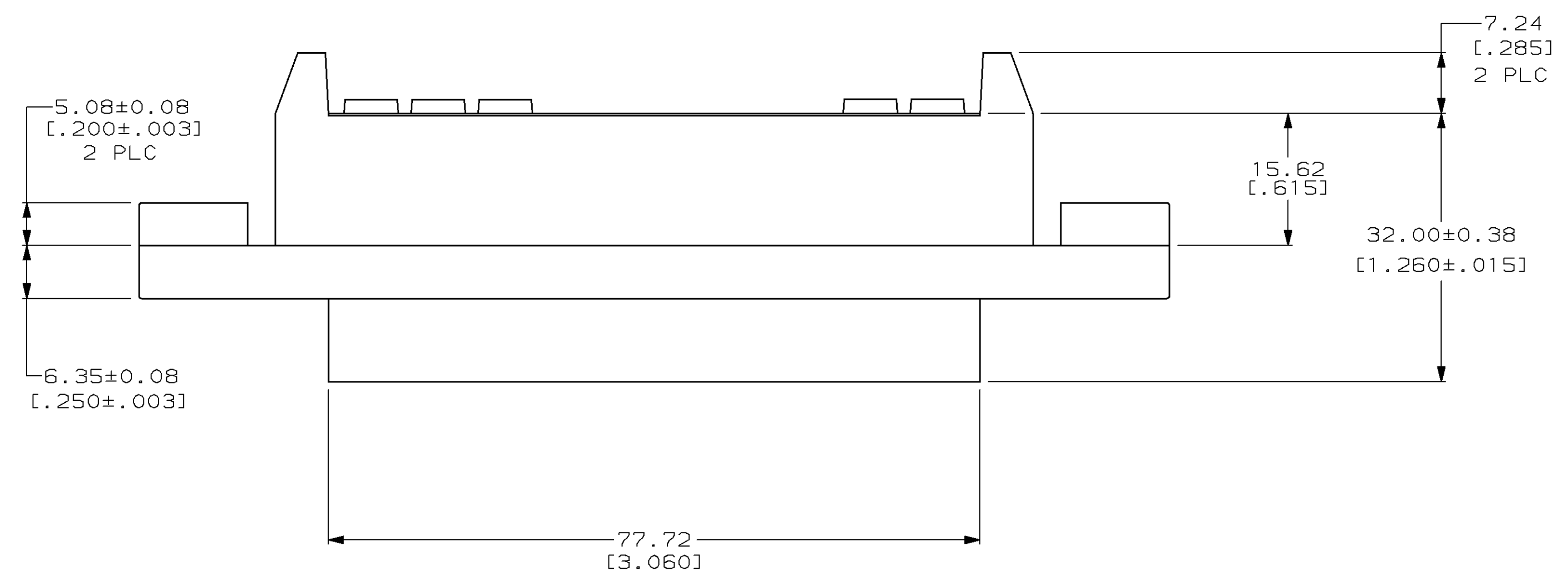
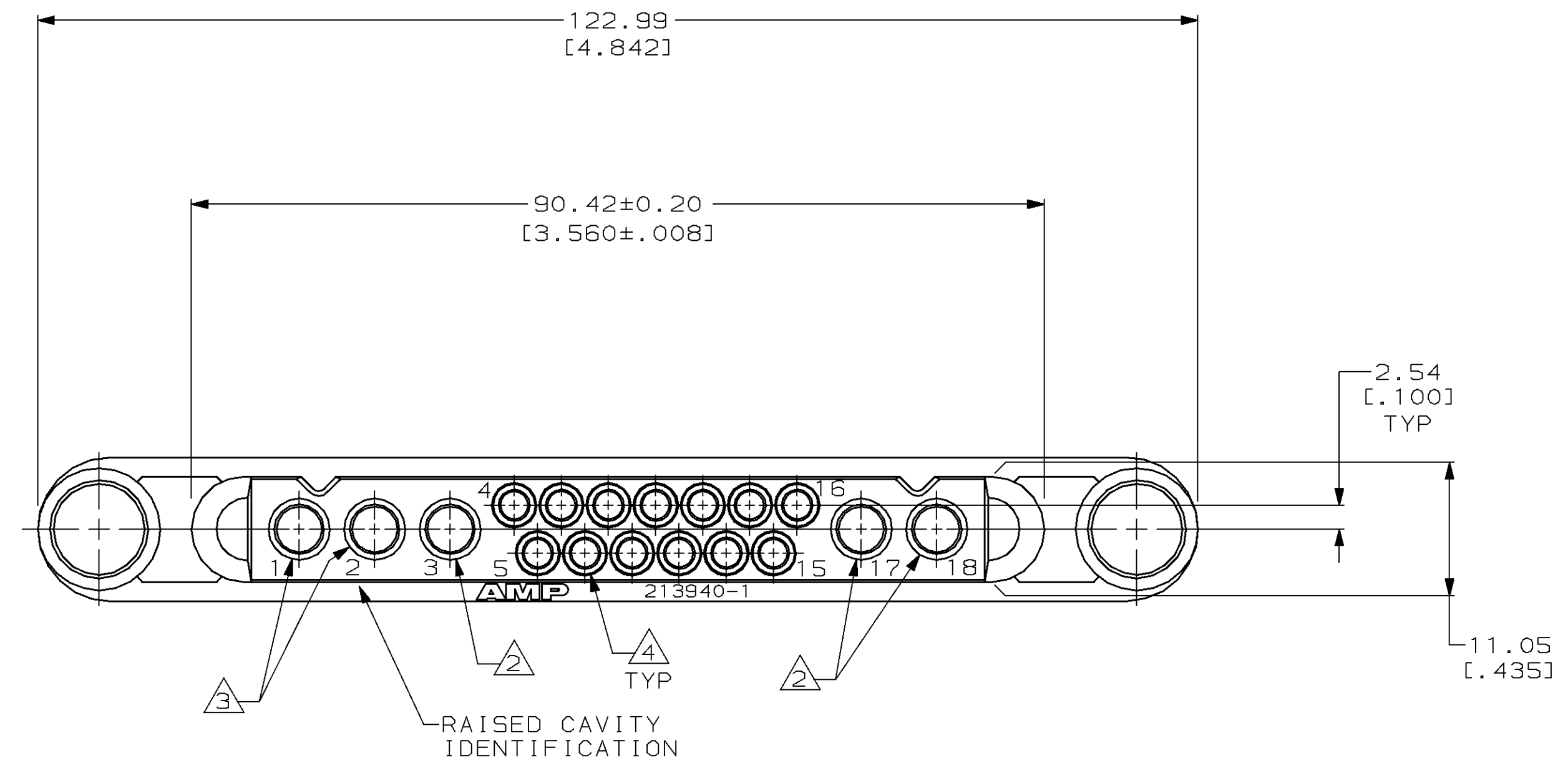
Email & Skype: info@chipsmall.com Web: www.chipsmall.com

Address: A1208, Overseas Decoration Building, #122 Zhenhua RD., Futian, Shenzhen, China



LOC		DIST		REVISIONS			
FT	13	P	LTR	DESCRIPTION	DATE	OWN	APVD
		0		RLSE -1 PER NPR 5550 WAS 95-5018-27-1	03 JUL 96	DB	MM

- 1 POLYESTER, UL94V-0, BLACK.
- 2 ACCEPTS POWERBAND SOCKET CONTACTS.
- 3 ACCEPTS SIZE VIII SOCKET CONTACTS.
- 4 ACCEPTS TYPE III + SOCKET CONTACTS.



RECOMMENDED PANEL CUTOUT

213940-1
PART NUMBER

<small>THIS DRAWING IS A CONTROLLED DOCUMENT FOR AMP TECHNOLOGIES. IT IS SUBJECT TO CHANGE AND THE CONTROLLING ENGINEERING DEPARTMENT SHOULD BE CONTACTED FOR THE LATEST REVISION.</small>		DWN D. BROCKWAY 08 JUL 96 CHK R. STONE 10 JUL 96 APVD M. MCALONIS 16 JUL 96	AMP Incorporated Harrisburg, PA 17105-3508
DIMENSIONS: mm (INCHES)	TOLERANCES UNLESS OTHERWISE SPECIFIED: 0 PLC ±- 1 PLC ±- 2 PLC +0.13 (.005) 3 PLC ±- 4 PLC ±- ANGLES ±-	NAME HOUSING, SOCKET, 18 POSITION, METRIMATE	SIZE A1
MATERIAL 1	FINISH	WEIGHT -	CAGE CODE 00779 DRAWING NO 213940 SCALE 2:1 SHEET 1 OF 1 REV 0
CUSTOMER DRAWING			