



Chipsmall Limited consists of a professional team with an average of over 10 year of expertise in the distribution of electronic components. Based in Hongkong, we have already established firm and mutual-benefit business relationships with customers from,Europe,America and south Asia,supplying obsolete and hard-to-find components to meet their specific needs.

With the principle of “Quality Parts,Customers Priority,Honest Operation,and Considerate Service”,our business mainly focus on the distribution of electronic components. Line cards we deal with include Microchip,ALPS,ROHM,Xilinx,Pulse,ON,Everlight and Freescale. Main products comprise IC,Modules,Potentiometer,IC Socket,Relay,Connector.Our parts cover such applications as commercial,industrial, and automotives areas.

We are looking forward to setting up business relationship with you and hope to provide you with the best service and solution. Let us make a better world for our industry!



## Contact us

Tel: +86-755-8981 8866 Fax: +86-755-8427 6832

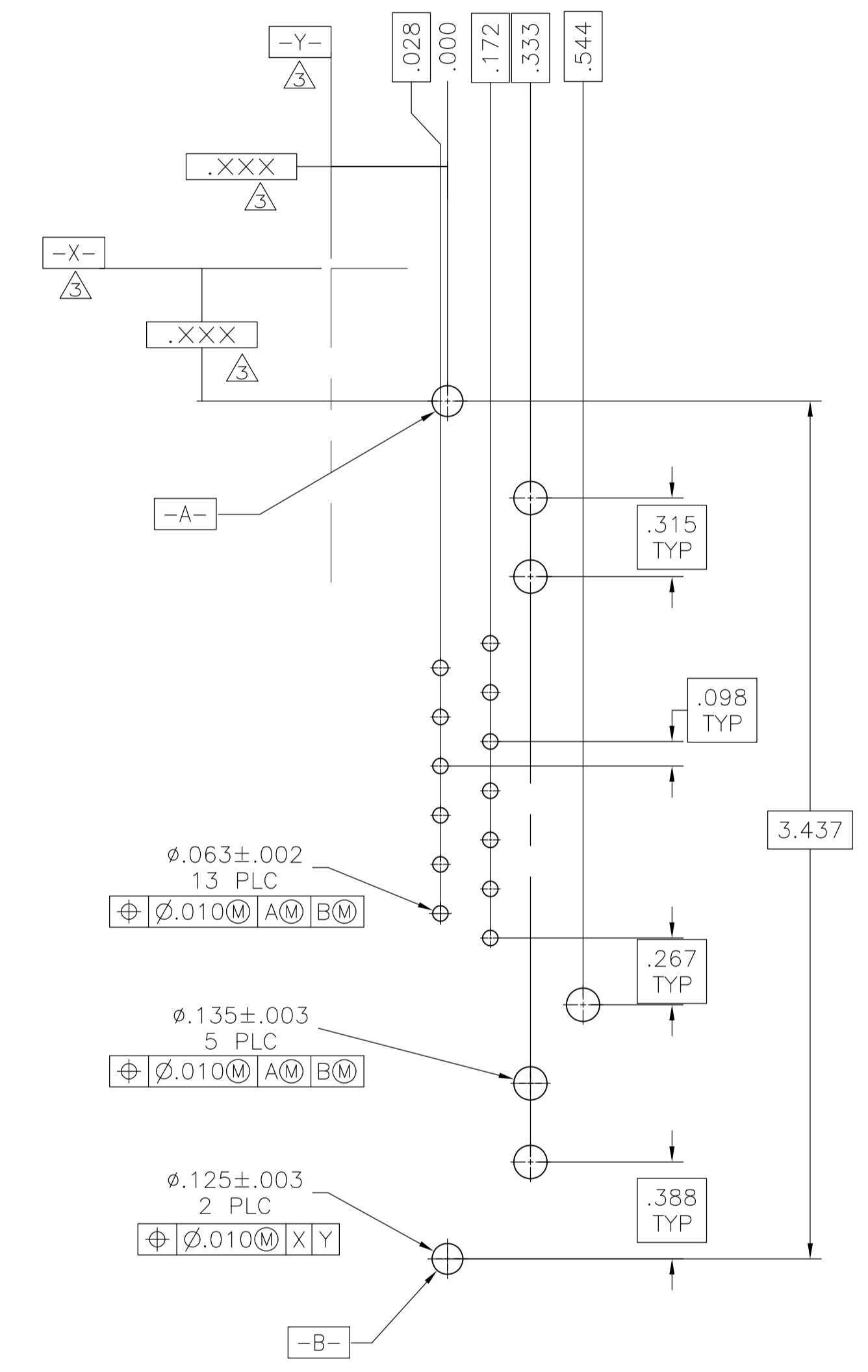
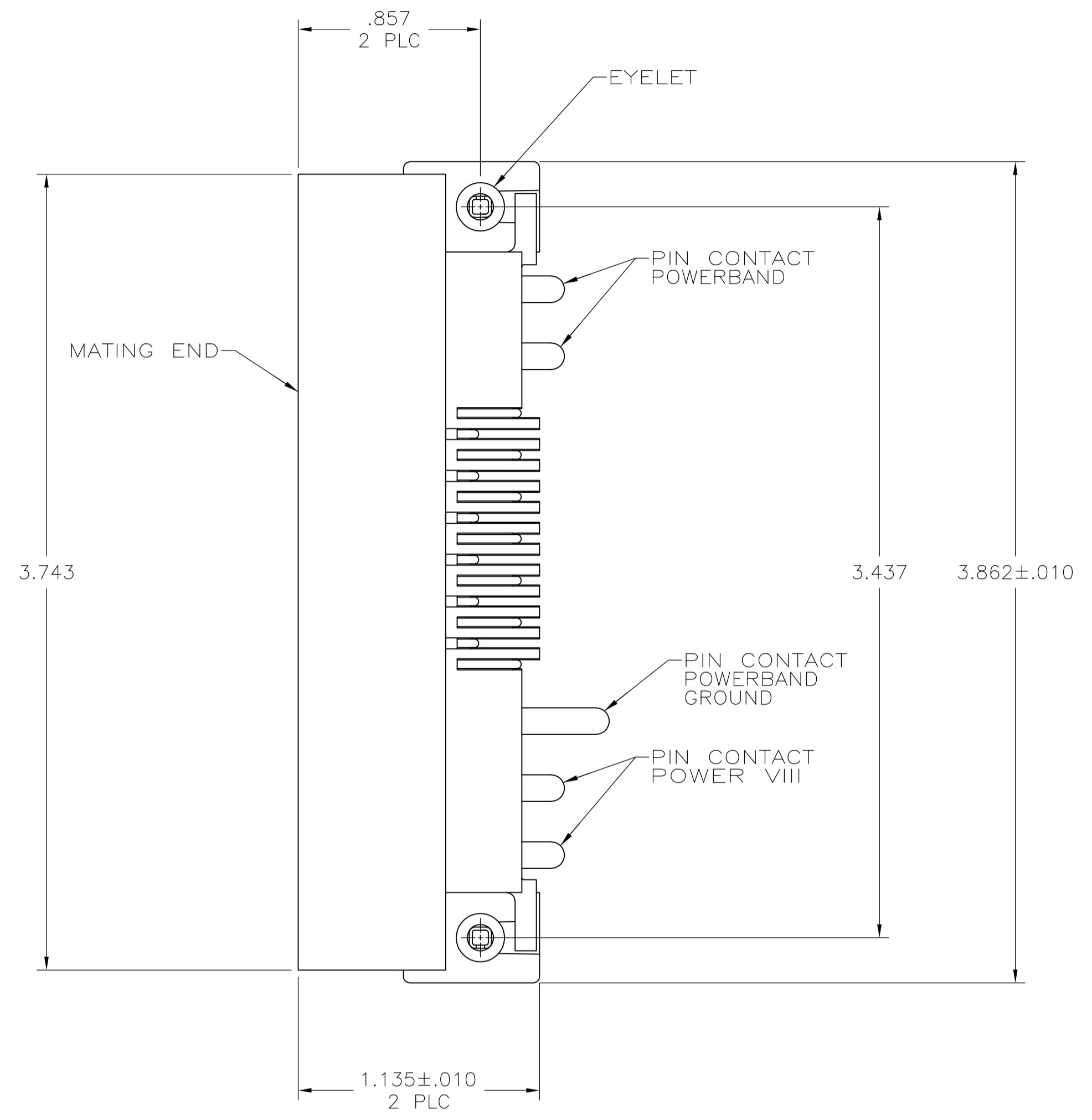
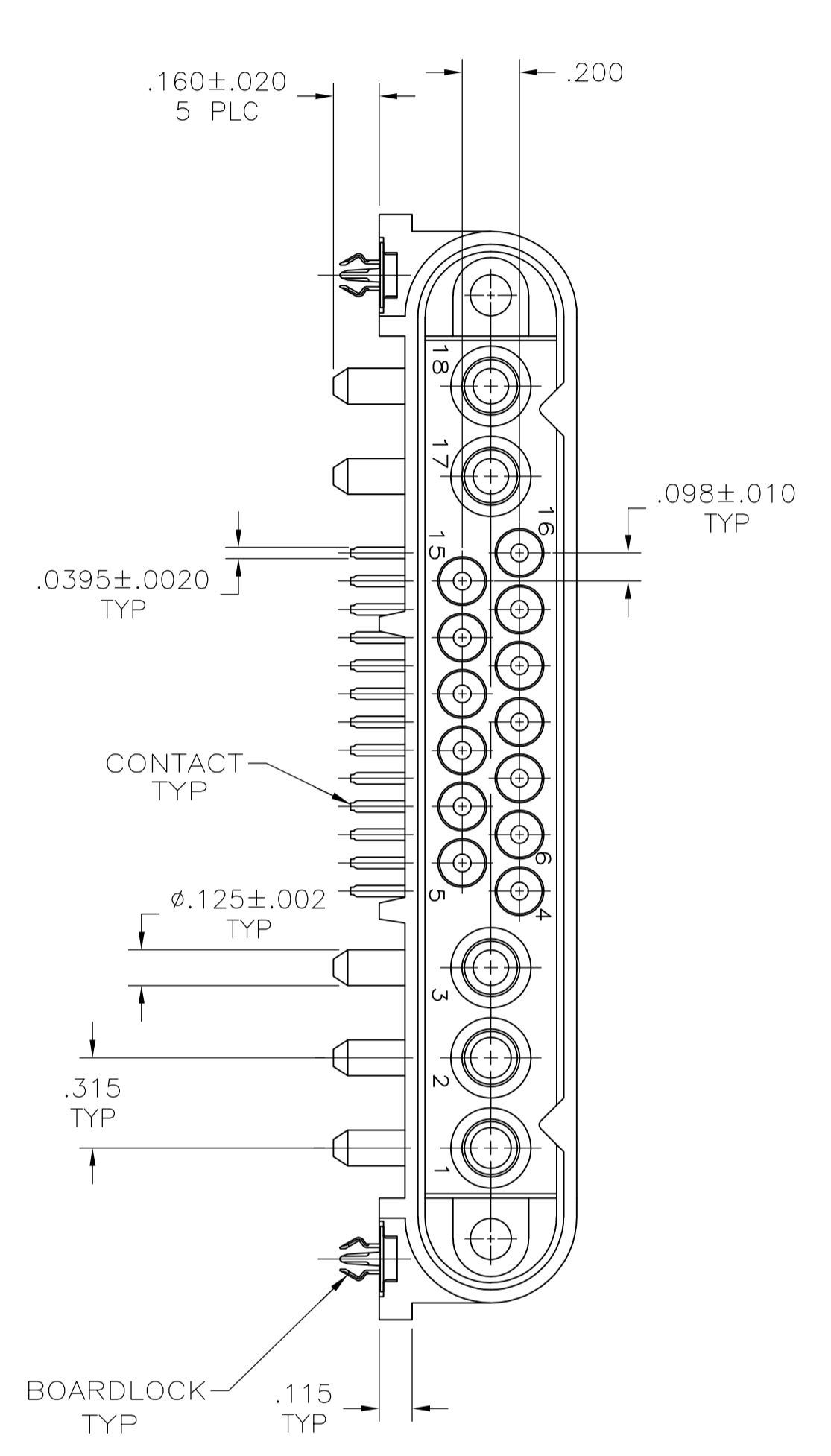
Email & Skype: info@chipsmall.com Web: www.chipsmall.com

Address: A1208, Overseas Decoration Building, #122 Zhenhua RD., Futian, Shenzhen, China

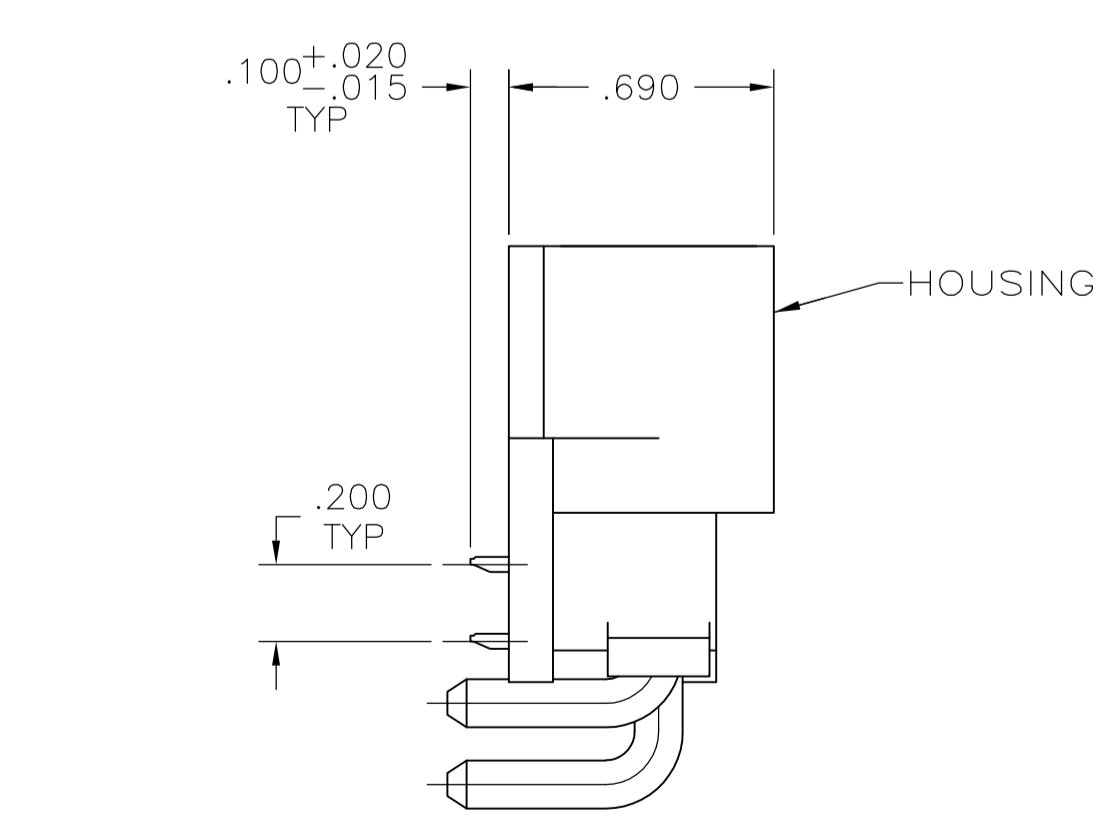


LOC		DIST		REVISIONS			
FT	0	REV	DATE	BY	CHKD	APVD	
		D	REVISED PER 063B-0197-05	4/25/05	SS	GS	
		D1	REVISED PER ECO-09-020689	28AUG09	KK	AEG	

- NOTES:**
- △ HOUSING: POLYESTER, UL94V-0, BLACK; CONTACTS, PIN CONTACTS, BOARDLOCKS & EYELETS: BRASS.
  - △ CONTACTS: .000030 MIN GOLD FOR A LENGTH OF .200 MIN FROM MATING END. .000150 MIN TIN LEAD FOR LENGTH OF .120 MIN FROM OPPOSITE END, BOTH OVER .000050 MIN NICKEL ON ENTIRE CONTACT.  
 PIN CONTACTS: .000030 MIN GOLD OVER .000050 MIN NICKEL.  
 BOARDLOCKS: .000150 MIN TIN-LEAD OVER .000050 MIN NICKEL.  
 EYELETS: .000100 MIN TIN-LEAD OVER COPPER.
  - △ DATUMS AND BASIC DIMENSIONS ESTABLISHED BY CUSTOMER.
  - △ SELECTIVELY LOADED. CIRCUIT #6 OMITTED.
  - △ SELECTIVELY LOADED. CIRCUIT #4 OMITTED.
  - △ CONTACTS: .000030 MIN GOLD FOR A LENGTH OF .200 MIN FROM MATING END. .000150 MIN TIN FOR LENGTH OF .120 MIN FROM OPPOSITE END, BOTH OVER .000050 MIN NICKEL ON ENTIRE CONTACT.  
 PIN CONTACTS: .000030 MIN GOLD OVER .000050 MIN NICKEL.  
 BOARDLOCKS: .000150 MIN TIN OVER .000050 MIN NICKEL.  
 EYELETS: .000100 MIN TIN OVER COPPER.
  - △ OBSOLETE PARTS: OBSOLETE CIS STREAMLINING PER D.RENAUD/D.SINISI



RECOMMENDED PC BOARD LAYOUT



BOARDLOCKS REMOVED FOR CLARITY

△	△	△	213942-8
△	△	△	213942-7
△	△	△	213942-6
△	△	△	213942-4
△	△	△	213942-3
△	△	△	213942-1
FINISH		PART NUMBER	

THIS DRAWING IS A CONTROLLED DOCUMENT.		DIN D.BROCKWAY 01 JUL 96		Tyco Electronics Corporation	
DIMENSIONS: INCHES		CHK R.STONE 10 JUL 96		Harrisburg, Pa 17105-3608	
TOLERANCES UNLESS OTHERWISE SPECIFIED:		APVD M.MCALONIS 16 JUL 96		NAME	
0 PLC	± -	PRODUCT SPEC		PIN HEADER ASSEMBLY, 18 POSITION, RIGHT ANGLE, METRIMATE	
1 PLC	± .005	APPLICATION SPEC		SIZE CAGE CODE DRAWING NO	
2 PLC	± -	WEIGHT		A1 00779 C=213942	
3 PLC	± -	CUSTOMER DRAWING		SCALE 2:1 SHEET 1 OF 1 REV D1	
4 PLC	± -				
ANGLES	± -				
MATERIAL	FINISH				