



Chipsmall Limited consists of a professional team with an average of over 10 year of expertise in the distribution of electronic components. Based in Hongkong, we have already established firm and mutual-benefit business relationships with customers from,Europe,America and south Asia,supplying obsolete and hard-to-find components to meet their specific needs.

With the principle of “Quality Parts,Customers Priority,Honest Operation,and Considerate Service”,our business mainly focus on the distribution of electronic components. Line cards we deal with include Microchip,ALPS,ROHM,Xilinx,Pulse,ON,Everlight and Freescale. Main products comprise IC,Modules,Potentiometer,IC Socket,Relay,Connector.Our parts cover such applications as commercial,industrial, and automotives areas.

We are looking forward to setting up business relationship with you and hope to provide you with the best service and solution. Let us make a better world for our industry!



Contact us

Tel: +86-755-8981 8866 Fax: +86-755-8427 6832

Email & Skype: info@chipsmall.com Web: www.chipsmall.com

Address: A1208, Overseas Decoration Building, #122 Zhenhua RD., Futian, Shenzhen, China



4

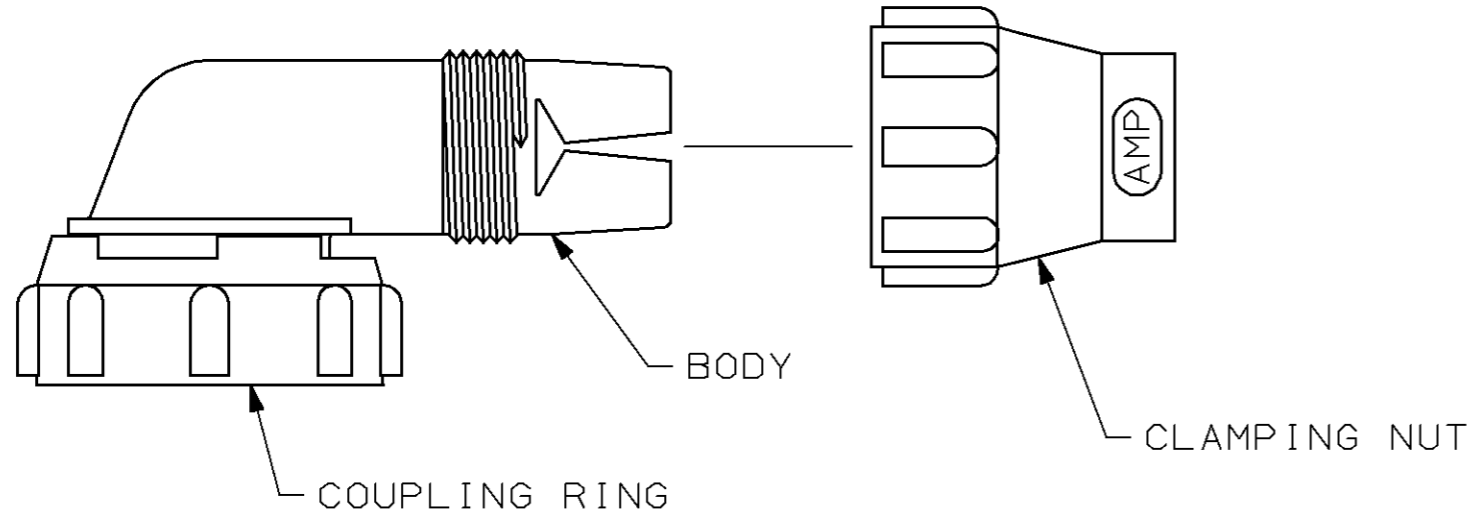
3

2

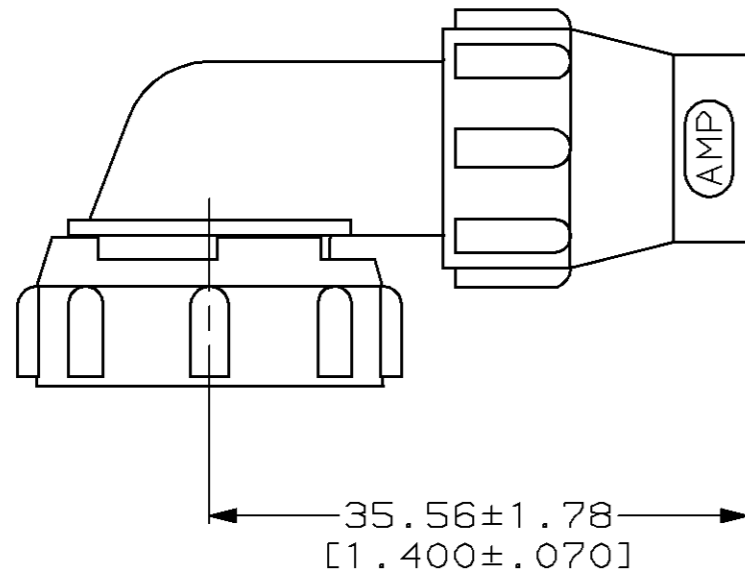
1

THIS DRAWING IS UNPUBLISHED. RELEASED FOR PUBLICATION ,19 .
© COPYRIGHT 19 BY AMP INCORPORATED. ALL RIGHTS RESERVED.

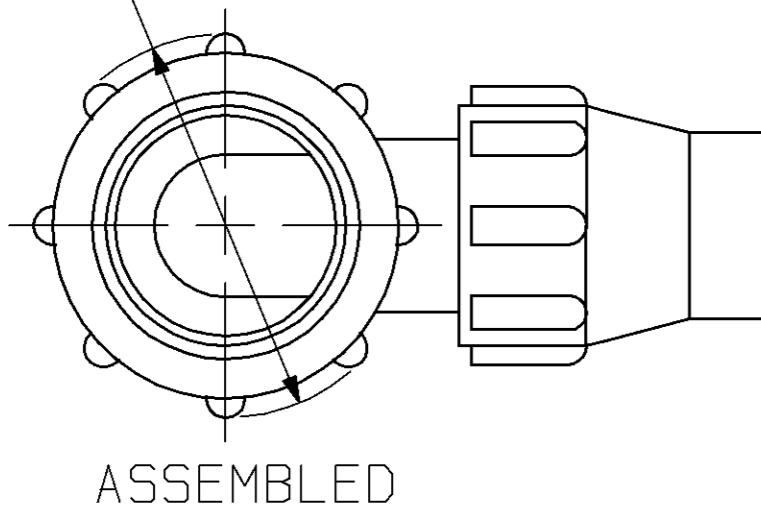
| LOC | DIST | REVISIONS | | | | |
|-----|------|-------------|---------------------------------|-----------|------|---|
| P | LTR | DESCRIPTION | DATE | DWN | APVD | |
| FT | 4 | 0 | RLSE PER NPR 5708 WAS 98-4998-4 | 22 SEP 98 | - | - |



- ① COUPLING RING, BODY AND CLAMPING NUT POLYESTER, BLACK.
- 2. MAX OUTSIDE CABLE DIAMETER 9.14 [0.360].
- 3. CLAMPING RANGE DIA 9.14 - 8.20 [0.360 - 0.323].



∅26.04 MAX
[1.025]



213982-1
PART NUMBER

| | | | |
|--|--|----------------------------------|---|
| THIS DRAWING IS A CONTROLLED DOCUMENT. | | DWN C. OBERMAN 22 SEP 98 | AMP AMP Incorporated Harrisburg, PA 17105-3608 |
| | | CHK K. DOWHOWER 23 SEP 98 | |
| | | APVD K. DOWHOWER 23 SEP 98 | NAME |
| DIMENSIONS: mm [INCHES] | | PRODUCT SPEC | KIT, STRAIN RELIEF, RIGHT ANGLE, UNASSEMBLED, SIZE 13, CPC |
| TOLERANCES UNLESS OTHERWISE SPECIFIED: | | APPLICATION SPEC | SIZE CAGE CODE DRAWING NO RESTRICTED TO |
| 0 PLC ±- | | WEIGHT | A3 00779 C- 213982 - |
| 1 PLC ±- | | CUSTOMER DRAWING | SCALE 2:1 SHEET 1 OF 1 REV 0 |
| 2 PLC ±- | | | |
| 3 PLC ±- | | | |
| 4 PLC ±- | | | |
| ANGLES ±- | | | |
| MATERIAL ① | | | |
| FINISH - | | | |