



Chipsmall Limited consists of a professional team with an average of over 10 year of expertise in the distribution of electronic components. Based in Hongkong, we have already established firm and mutual-benefit business relationships with customers from,Europe,America and south Asia,supplying obsolete and hard-to-find components to meet their specific needs.

With the principle of “Quality Parts,Customers Priority,Honest Operation,and Considerate Service”,our business mainly focus on the distribution of electronic components. Line cards we deal with include Microchip,ALPS,ROHM,Xilinx,Pulse,ON,Everlight and Freescale. Main products comprise IC,Modules,Potentiometer,IC Socket,Relay,Connector.Our parts cover such applications as commercial,industrial, and automotives areas.

We are looking forward to setting up business relationship with you and hope to provide you with the best service and solution. Let us make a better world for our industry!



## Contact us

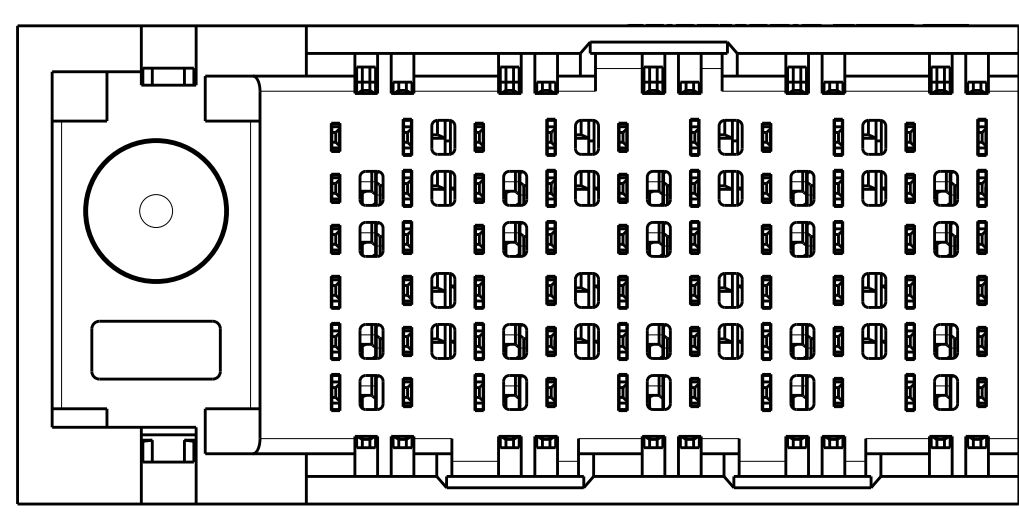
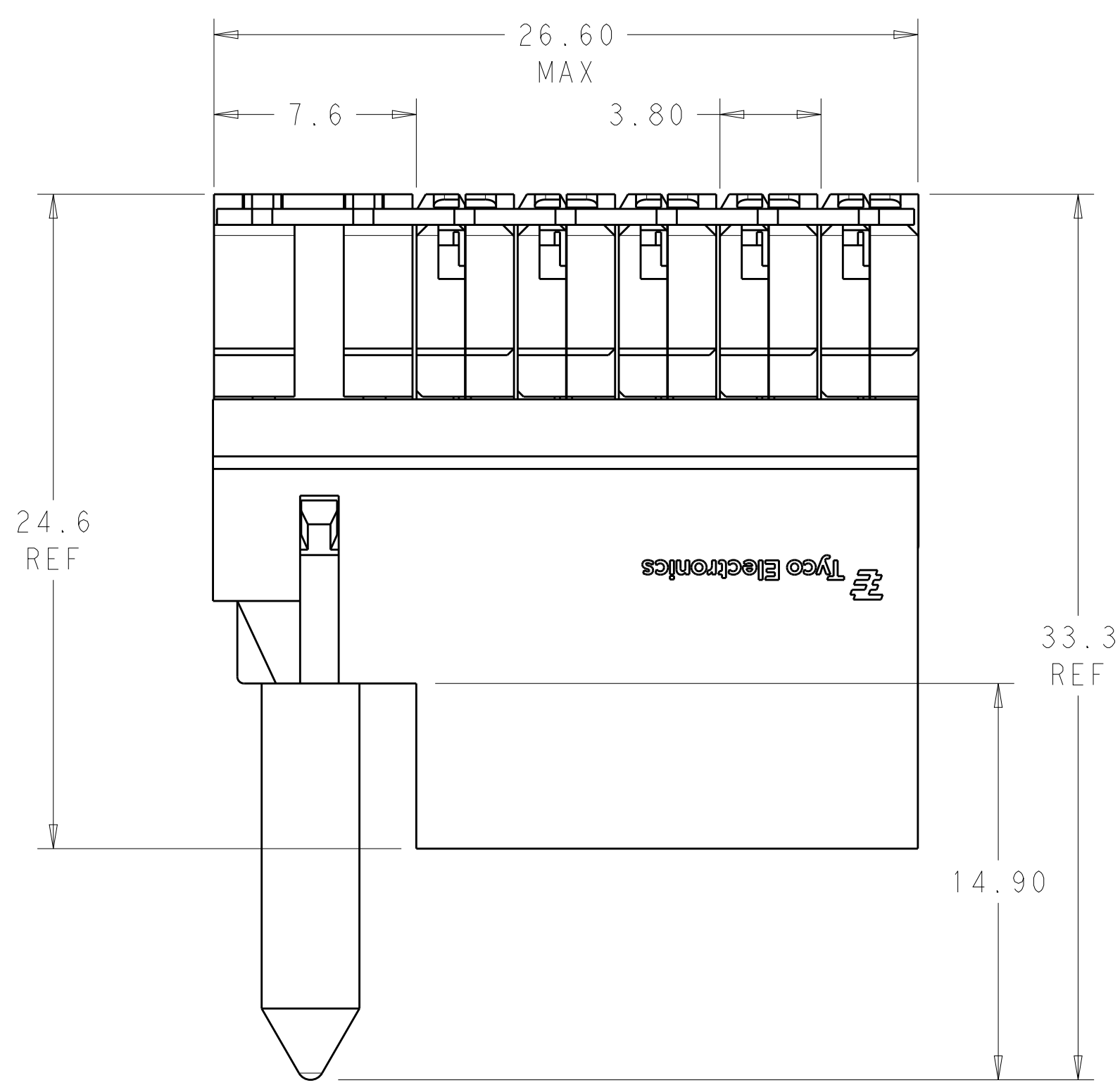
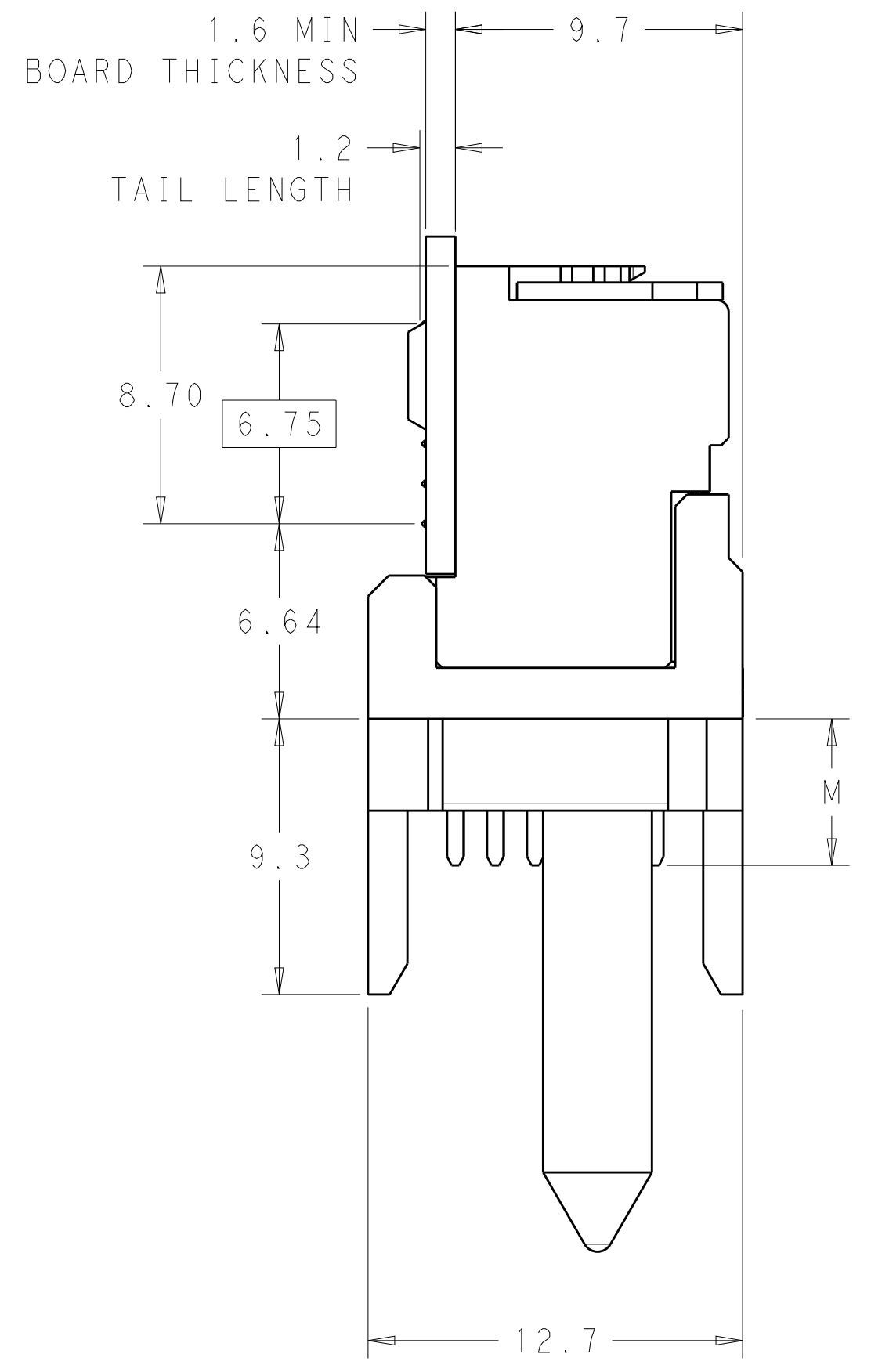
Tel: +86-755-8981 8866 Fax: +86-755-8427 6832

Email & Skype: info@chipsmall.com Web: www.chipsmall.com

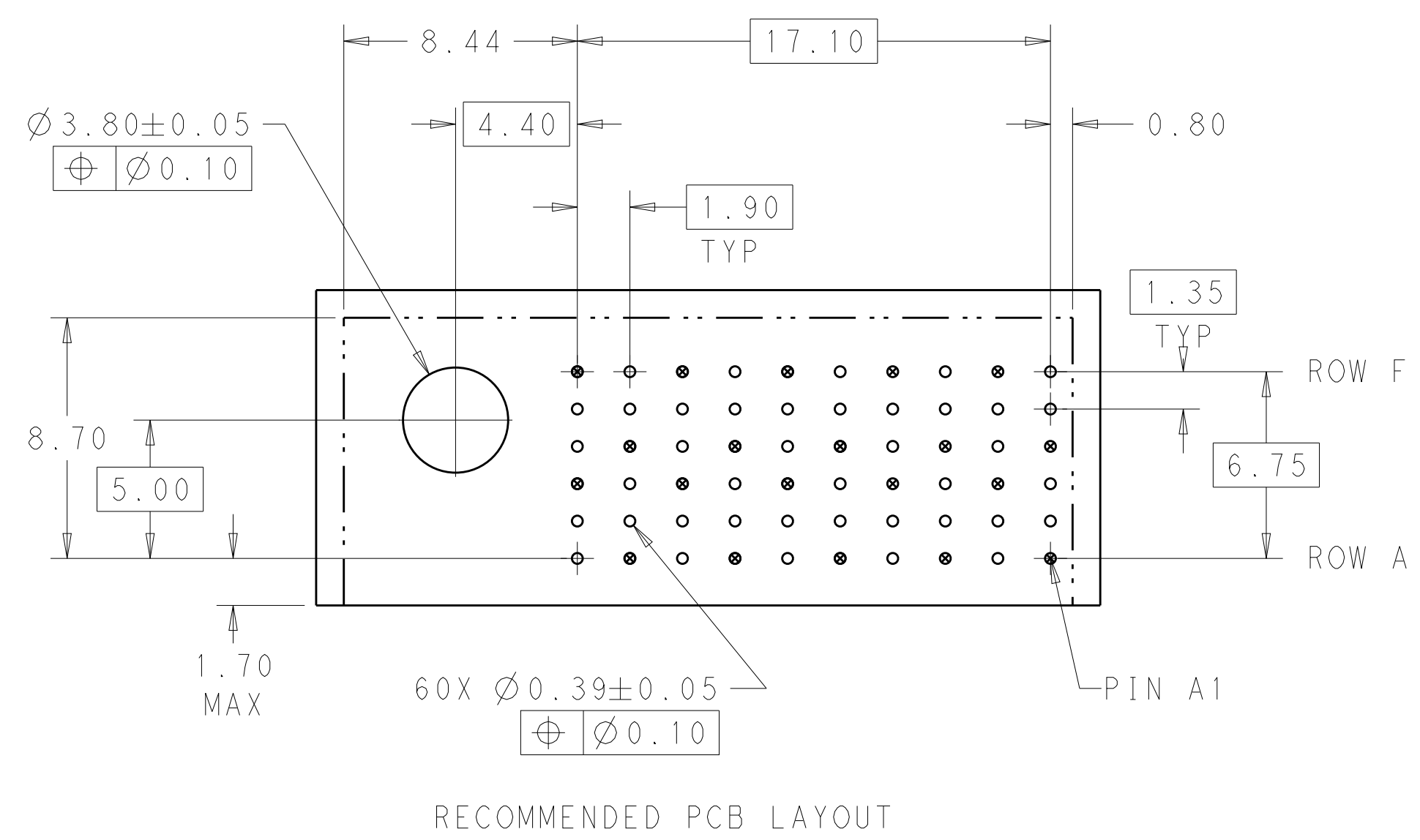
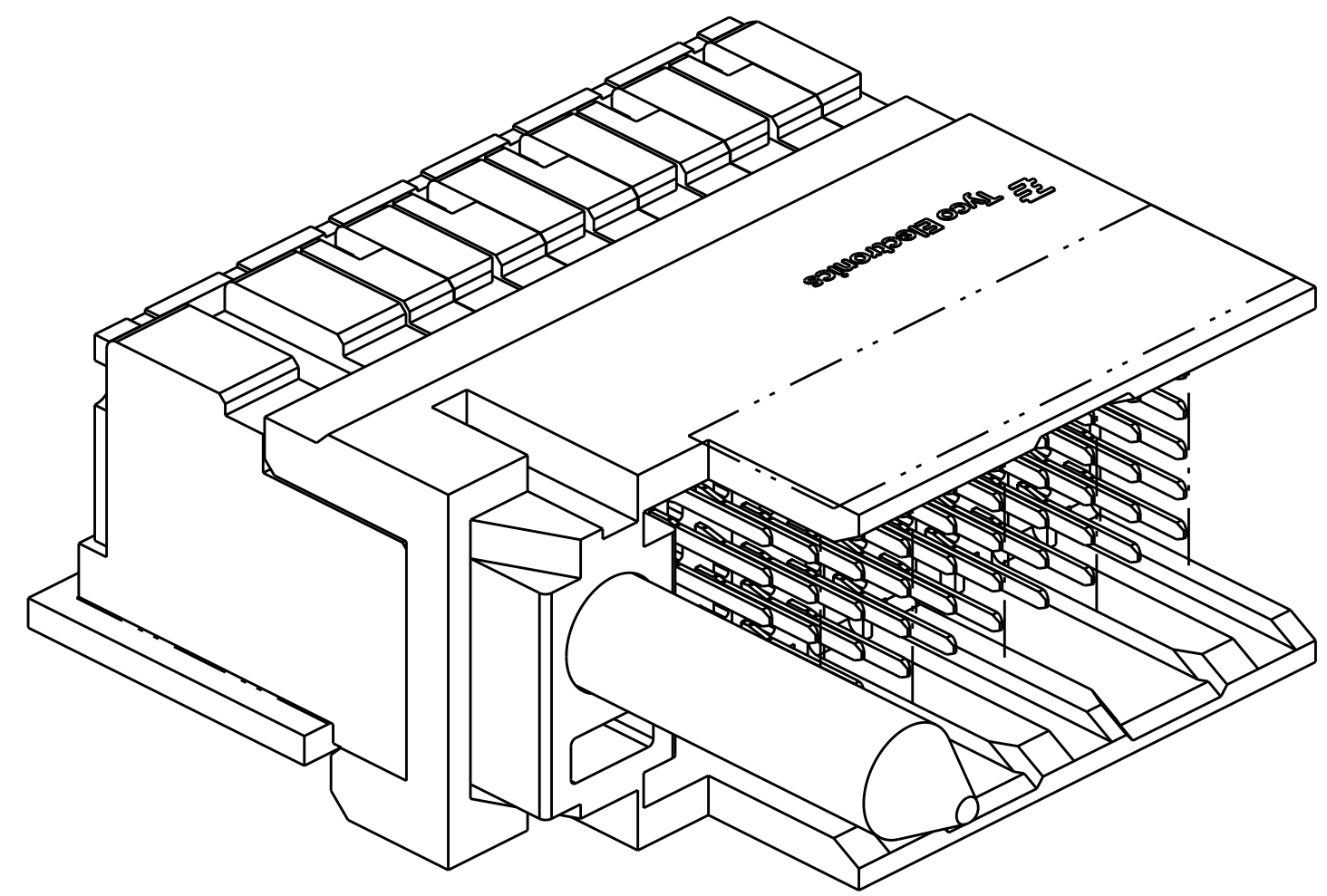
Address: A1208, Overseas Decoration Building, #122 Zhenhua RD., Futian, Shenzhen, China



REVISIONS				
P.	LTN	DESCRIPTION	DATE	APVD
B1		REVISED PER ECO-15-003239	24MAR2015	AP DD

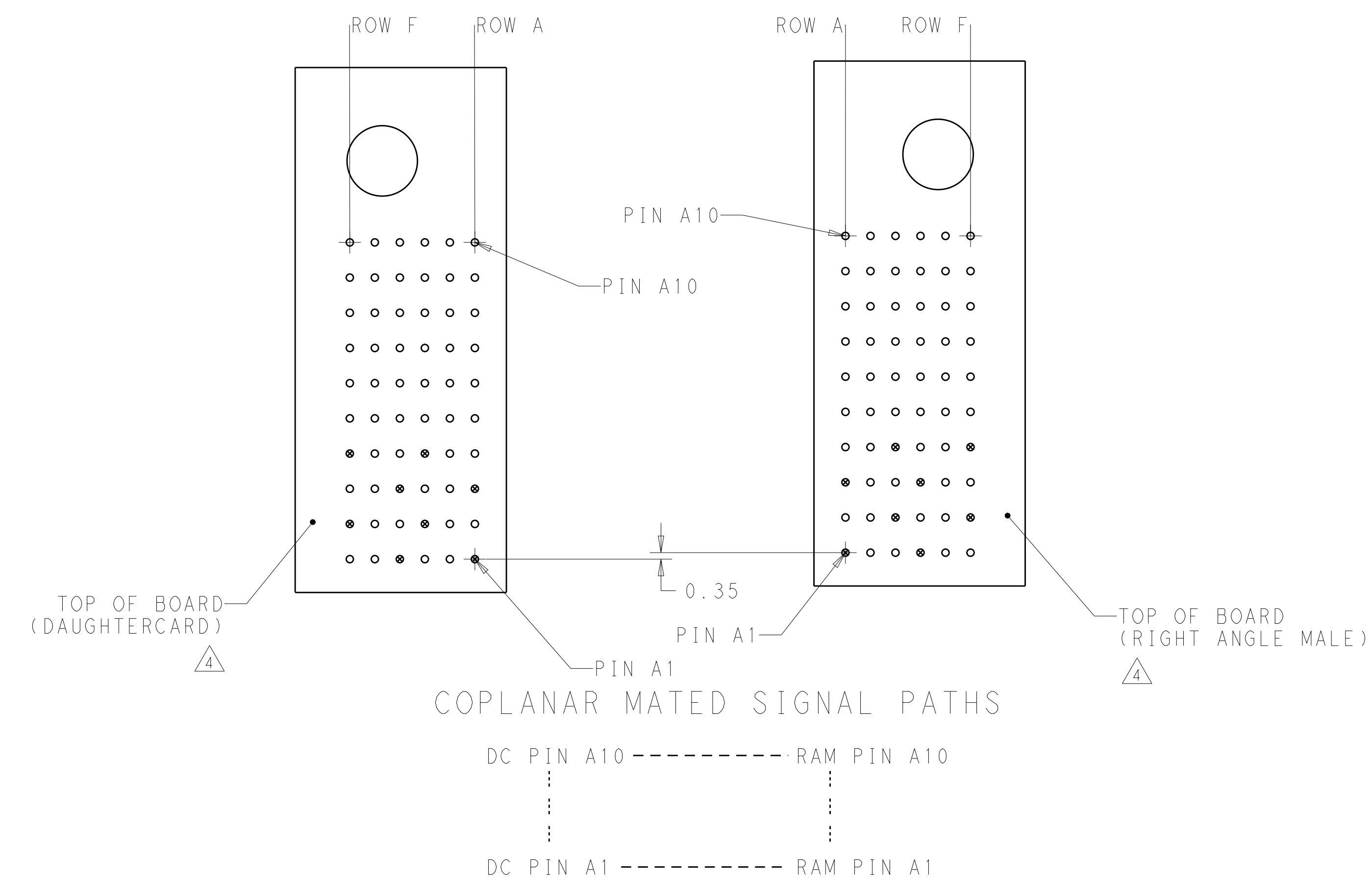


- 1 MATERIAL:  
 HOUSING: LCP, GLASS FILLED, UL94V-0.  
 TERMINALS: HIGH PERFORMANCE COPPER ALLOY.
- 2 FINISH:  
 30µm SELECTIVE GOLD IN CONTACT AREA. SELECTIVE TIN ON PCB TAILS, NICKEL OVERALL.
- 3 FINISH:  
 30µm SELECTIVE GOLD IN CONTACT AREA. SELECTIVE TIN-LEAD ON PCB TAILS, NICKEL OVERALL.
- 4 LEFT GUIDED RIGHT ANGLE MALE MATES TO RIGHT GUIDED RIGHT ANGLE RECEPTACLE.
- 5. CONNECTOR SUPPLIED WITH MOUNTING SCREW.

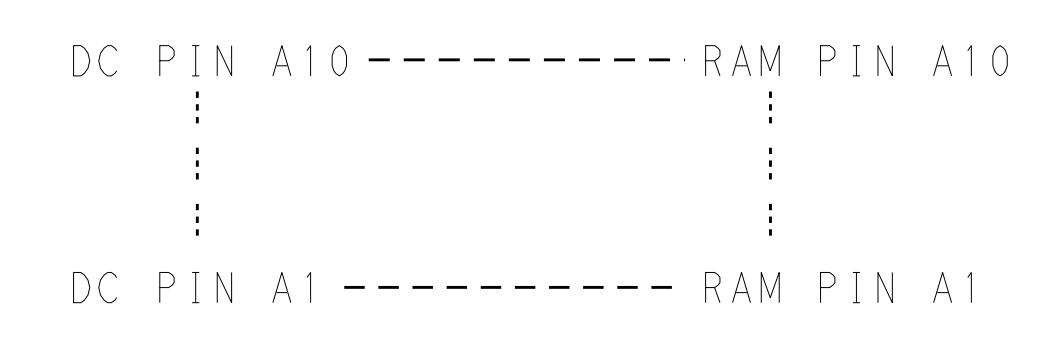


THIS DRAWING IS A CONTROLLED DOCUMENT.		OWN B. CARBO 15MAR2011	TE Connectivity
DIMENSIONS: mm		CHK J. EARY 15MAR2011	
TOLERANCES UNLESS OTHERWISE SPECIFIED: 0 PLC ± 1 PLC ±0.25 2 PLC ±0.13 3 PLC ± 4 PLC ± ANGLES ±		APVD J. EARY 15MAR2011	NAME IMPACT, STD. RAM, 2 PAIR, 10 COLUMN LEFT GUIDED OPEN END WALL SIGNAL MODULE, 0.39 EYELET
MATERIAL SEE TABLE		WEIGHT -	SIZE A100779C=2143016
FINISH -		Customer Drawing	RESTRICTED TO -
SCALE 5:1		SHEET 1 OF 2	REV B1

REVISIONS				
P.	LTN	DESCRIPTION	DATE	APVD
-	-	SEE SHEET 1	-	-



COPLANAR MATED SIGNAL PATHS



△3	5.50	2143016-6
△3	4.90	2143016-5
△2	5.50	2143016-3
△2	4.90	2143016-2
FINISH	DIM M	PART NUMBER

REFER TO WWW.TE.COM FOR PRODUCT AVAILABILITY

THIS DRAWING IS A CONTROLLED DOCUMENT.		DWN B. CARBO 15MAR2011 CHK J. EARY 15MAR2011 APVD J. EARY 15MAR2011	TE Connectivity
DIMENSIONS: mm 	TOLERANCES UNLESS OTHERWISE SPECIFIED: 0 PLC ± 1 PLC ±0.25 2 PLC ±0.13 3 PLC ± 4 PLC ± ANGLES ±	NAME: IMPACT, STD. RAM, 2 PAIR, 10 COLUMN LEFT GUIDED OPEN END WALL SIGNAL MODULE, 0.39 EYELET PRODUCT SPEC APPLICATION SPEC	
MATERIAL	SEE TABLE	WEIGHT Customer Drawing	SIZE: A100779 CAGE CODE: C=2143016 DRAWING NO: 2143016 RESTRICTED TO: B1
		SCALE: 5:1	SHEET 2 OF 2