



Chipsmall Limited consists of a professional team with an average of over 10 year of expertise in the distribution of electronic components. Based in Hongkong, we have already established firm and mutual-benefit business relationships with customers from,Europe,America and south Asia,supplying obsolete and hard-to-find components to meet their specific needs.

With the principle of “Quality Parts,Customers Priority,Honest Operation,and Considerate Service”,our business mainly focus on the distribution of electronic components. Line cards we deal with include Microchip,ALPS,ROHM,Xilinx,Pulse,ON,Everlight and Freescale. Main products comprise IC,Modules,Potentiometer,IC Socket,Relay,Connector.Our parts cover such applications as commercial,industrial, and automotives areas.

We are looking forward to setting up business relationship with you and hope to provide you with the best service and solution. Let us make a better world for our industry!



Contact us

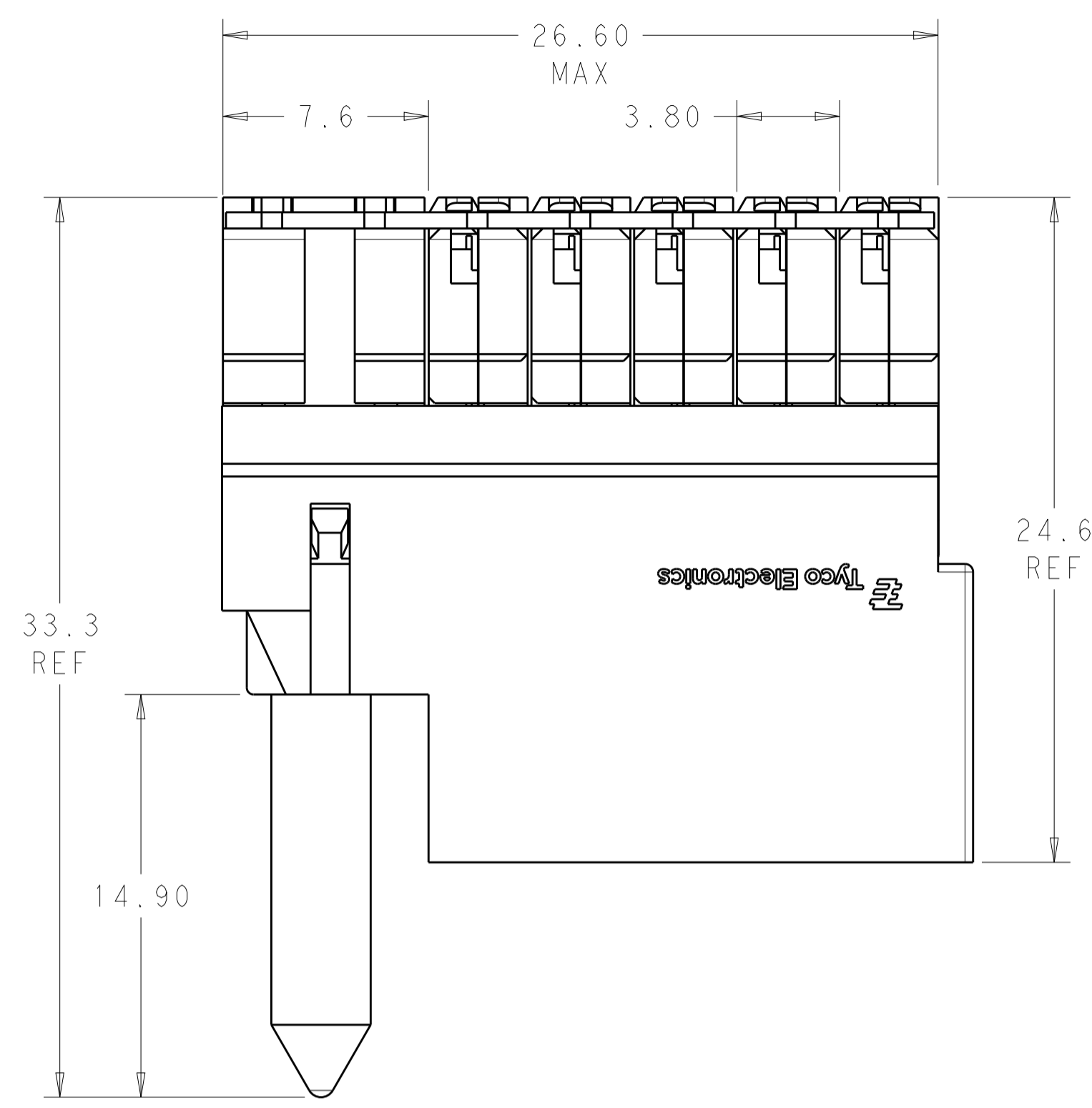
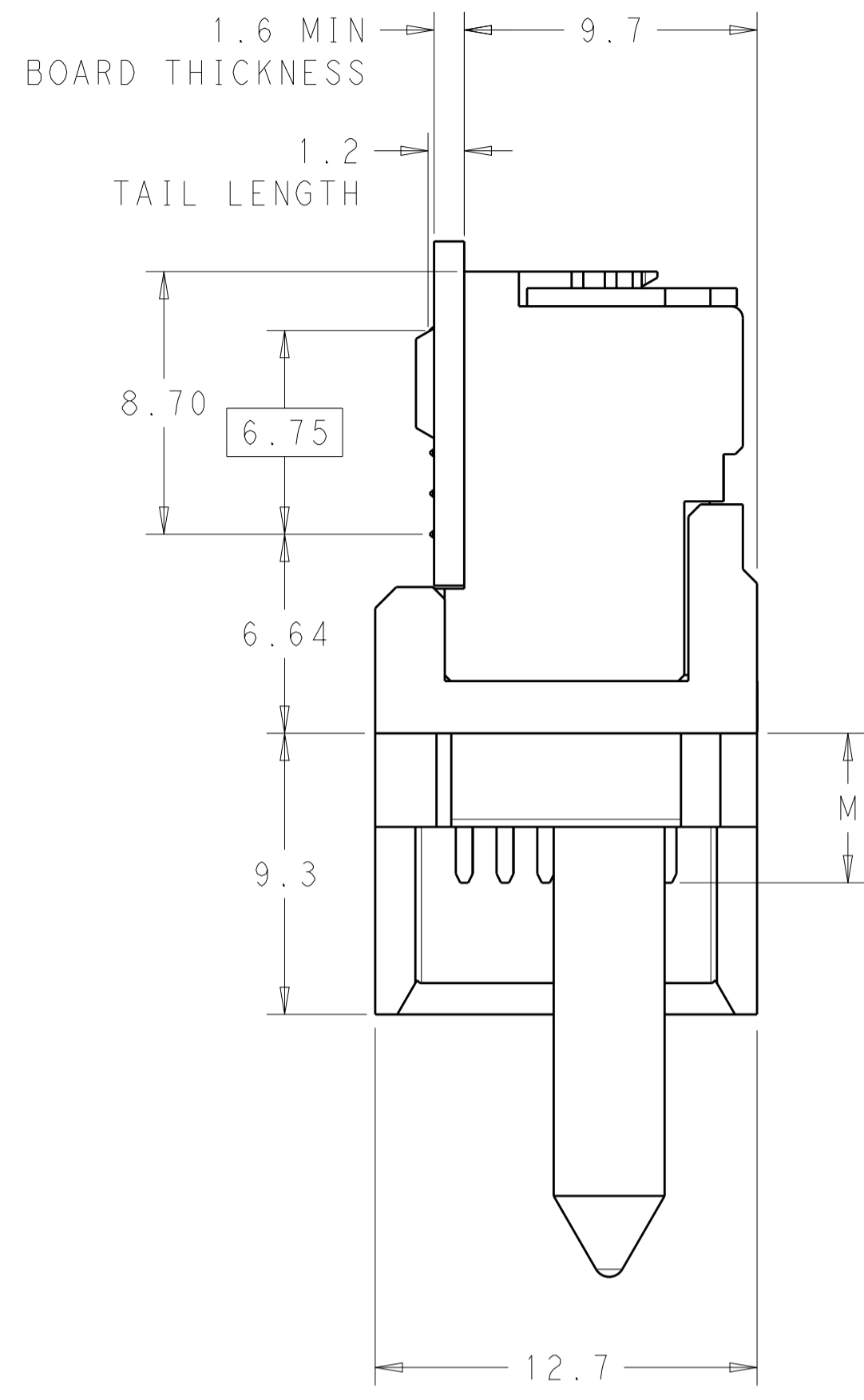
Tel: +86-755-8981 8866 Fax: +86-755-8427 6832

Email & Skype: info@chipsmall.com Web: www.chipsmall.com

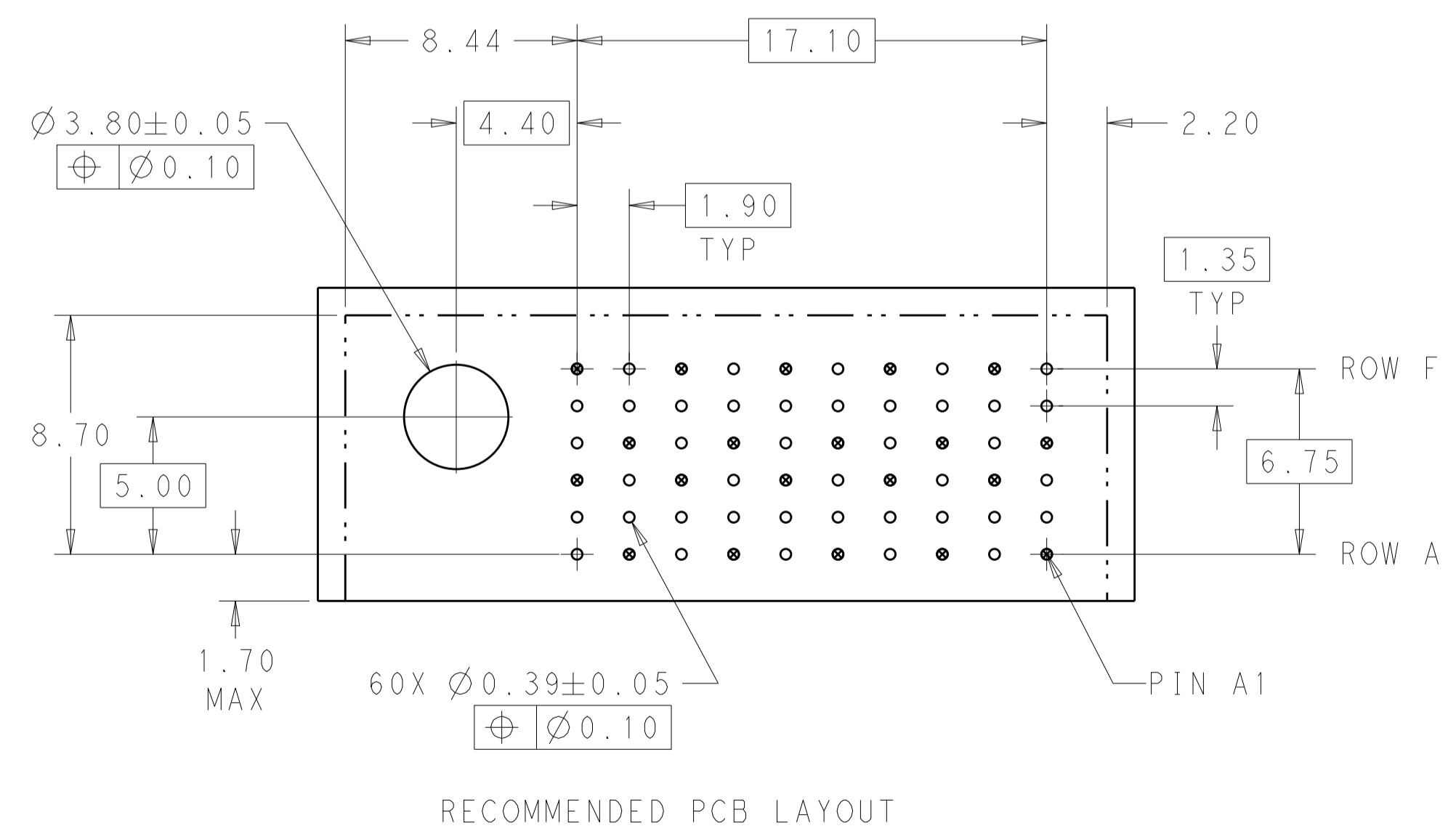
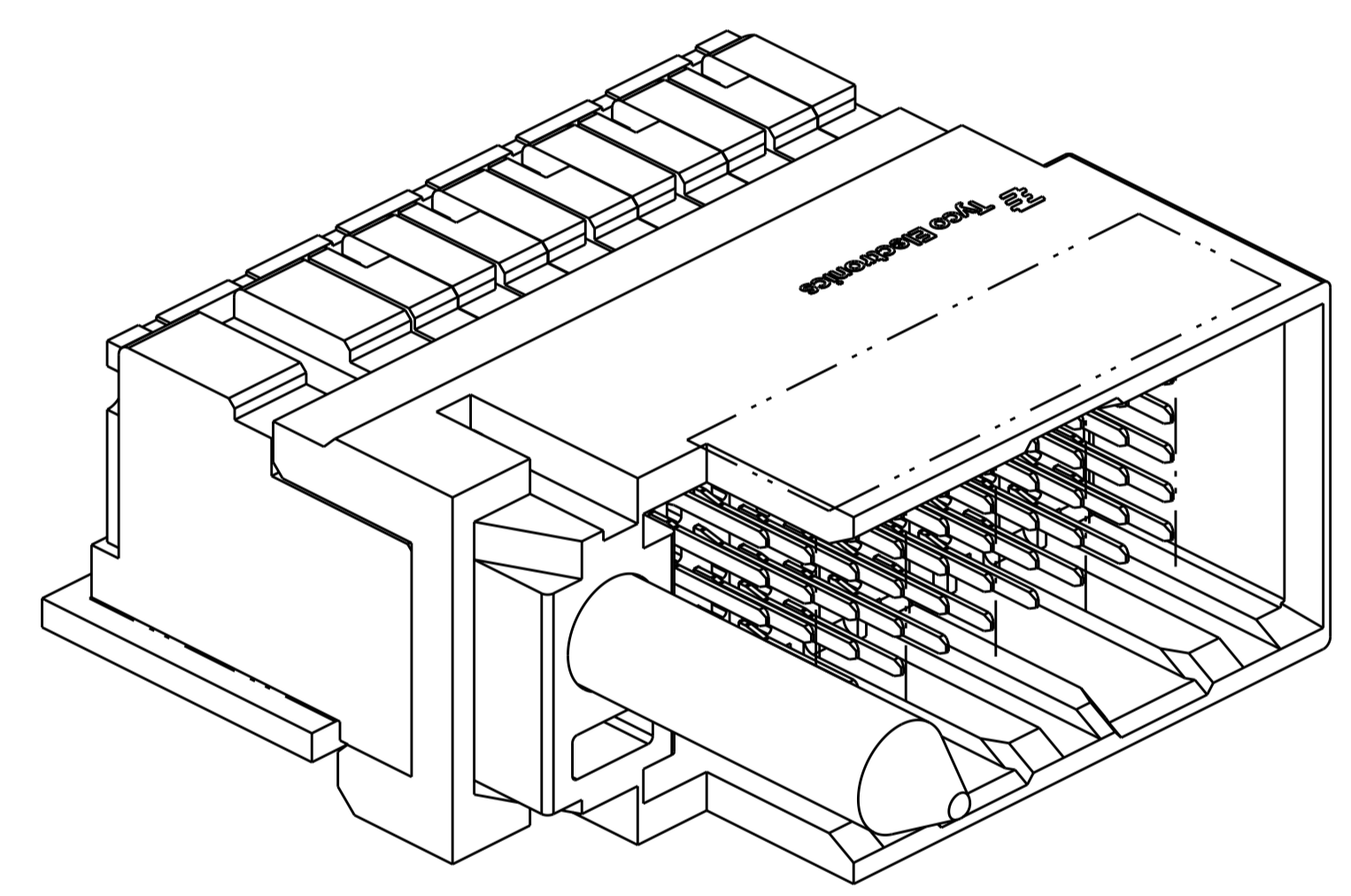
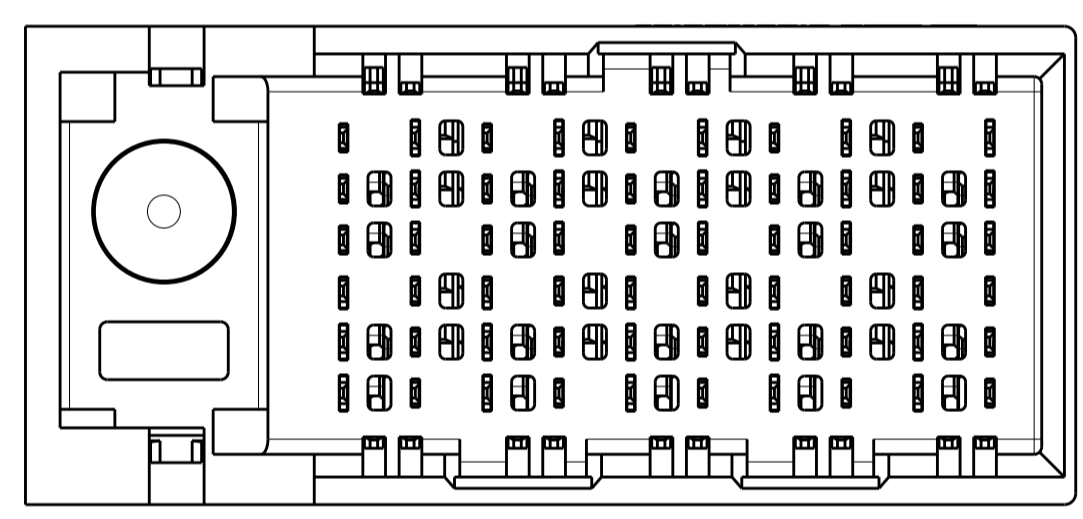
Address: A1208, Overseas Decoration Building, #122 Zhenhua RD., Futian, Shenzhen, China



REVISIONS				
P.	LTN.	DESCRIPTION	DATE	APVD.
B1		REVISED PER ECO-15-003239	24MAR2015	AP DD



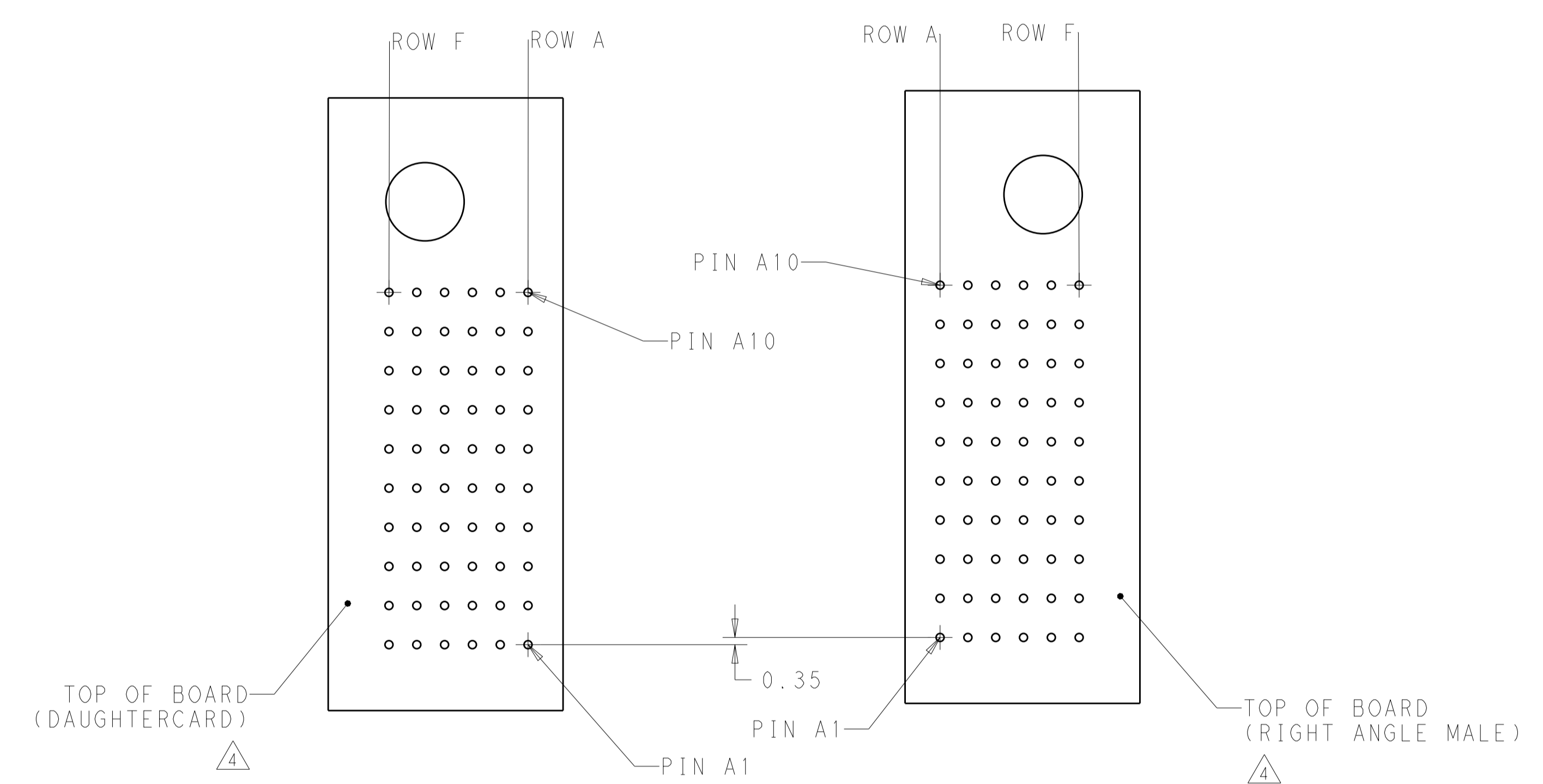
- 1 MATERIAL:
HOUSING: LCP, GLASS FILLED, UL94V-0.
TERMINALS: HIGH PERFORMANCE COPPER ALLOY.
- 2 FINISH:
30µm SELECTIVE GOLD IN CONTACT AREA. SELECTIVE TIN ON PCB TAILS, NICKEL OVERALL.
- 3 FINISH:
30µm SELECTIVE GOLD IN CONTACT AREA. SELECTIVE TIN-LEAD ON PCB TAILS, NICKEL OVERALL.
- 4 LEFT GUIDED RIGHT ANGLE MALE MATES TO RIGHT GUIDED RIGHT ANGLE RECEPTACLE.
- 5. CONNECTOR SUPPLIED WITH MOUNTING SCREW.



RECOMMENDED PCB LAYOUT

THIS DRAWING IS A CONTROLLED DOCUMENT.		DWN - 07APR2011	TE Connectivity
DIMENSIONS: mm		CHK J. EABY 07APR2011	
TOLERANCES UNLESS OTHERWISE SPECIFIED:		APVD J. EABY 07APR2011	NAME: IMPACT, STD. RAM, 2 PAIR, 10 COLUMN, LEFT GUIDED RIGHT END WALL SIGNAL MODULE, 0.39 EYELET
0 PLC ± 1 PLC ±0.25 2 PLC ±0.13 3 PLC ± 4 PLC ± ANGLES ±	SEE TABLE FINISH	PRODUCT SPEC APPLICATION SPEC WEIGHT CUSTOMER DRAWING	SIZE: A1 CAGE CODE: 00779 DRAWING NO: C=2143017 RESTRICTED TO: -
MATERIAL: SEE TABLE		SCALE: 5:1	SHEET 1 OF 2 REV B1

REVISIONS				
P.	LTN.	DESCRIPTION	DATE	APVD.
-	-	SEE SHEET 1	-	-



COPLANAR MATED SIGNAL PATHS



	5.50	2143017-6
	4.90	2143017-5
	5.50	2143017-3
	4.90	2143017-2
FINISH	DIM M	PART NUMBER

REFER TO WWW.TE.COM FOR PRODUCT AVAILABILITY

THIS DRAWING IS A CONTROLLED DOCUMENT.		DWN - 07APR2011	TE Connectivity
DIMENSIONS: mm		CHK J. EABY 07APR2011	
TOLERANCES UNLESS OTHERWISE SPECIFIED:		APVD J. EABY 07APR2011	
0 PLC ± 1 PLC ±0.25 2 PLC ±0.13 3 PLC ± 4 PLC ± ANGLES ±		NAME: IMPACT, STD. RAM, 2 PAIR, 10 COLUMN, LEFT GUIDED RIGHT END WALL SIGNAL MODULE, 0.39 EYELET	
MATERIAL: SEE TABLE	FINISH: SEE TABLE	WEIGHT: -	RESTRICTED TO: -
Customer Drawing		SIZE: A100779	DRAWING NO: C=2143017
SCALE: 5:1		SHEET: 2	OF: 2
REV: B1			