



Chipsmall Limited consists of a professional team with an average of over 10 year of expertise in the distribution of electronic components. Based in Hongkong, we have already established firm and mutual-benefit business relationships with customers from,Europe,America and south Asia,supplying obsolete and hard-to-find components to meet their specific needs.

With the principle of "Quality Parts,Customers Priority,Honest Operation,and Considerate Service",our business mainly focus on the distribution of electronic components. Line cards we deal with include Microchip,ALPS,ROHM,Xilinx,Pulse,ON,Everlight and Freescale. Main products comprise IC,Modules,Potentiometer,IC Socket,Relay,Connector.Our parts cover such applications as commercial,industrial, and automotives areas.

We are looking forward to setting up business relationship with you and hope to provide you with the best service and solution. Let us make a better world for our industry!



Contact us

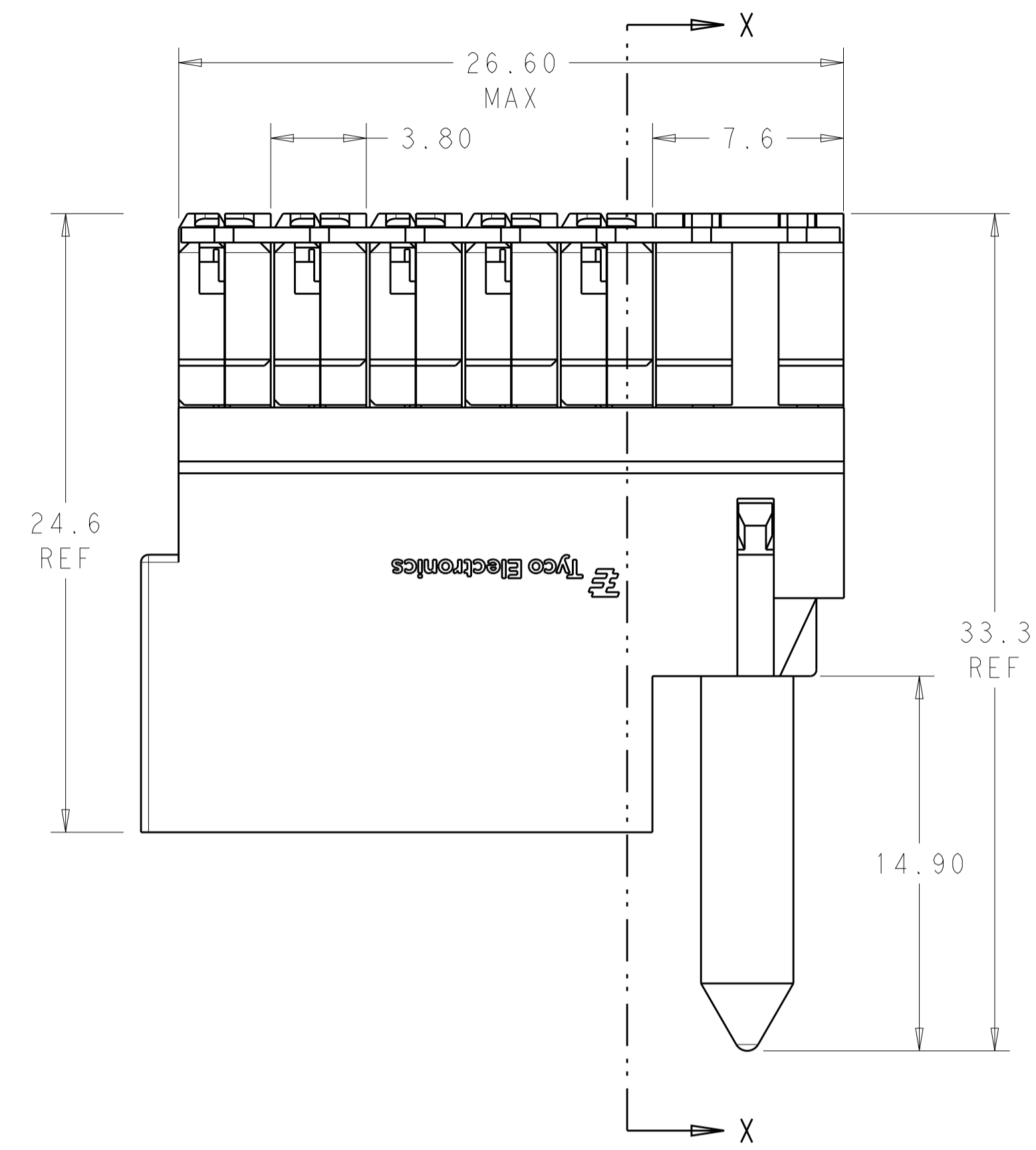
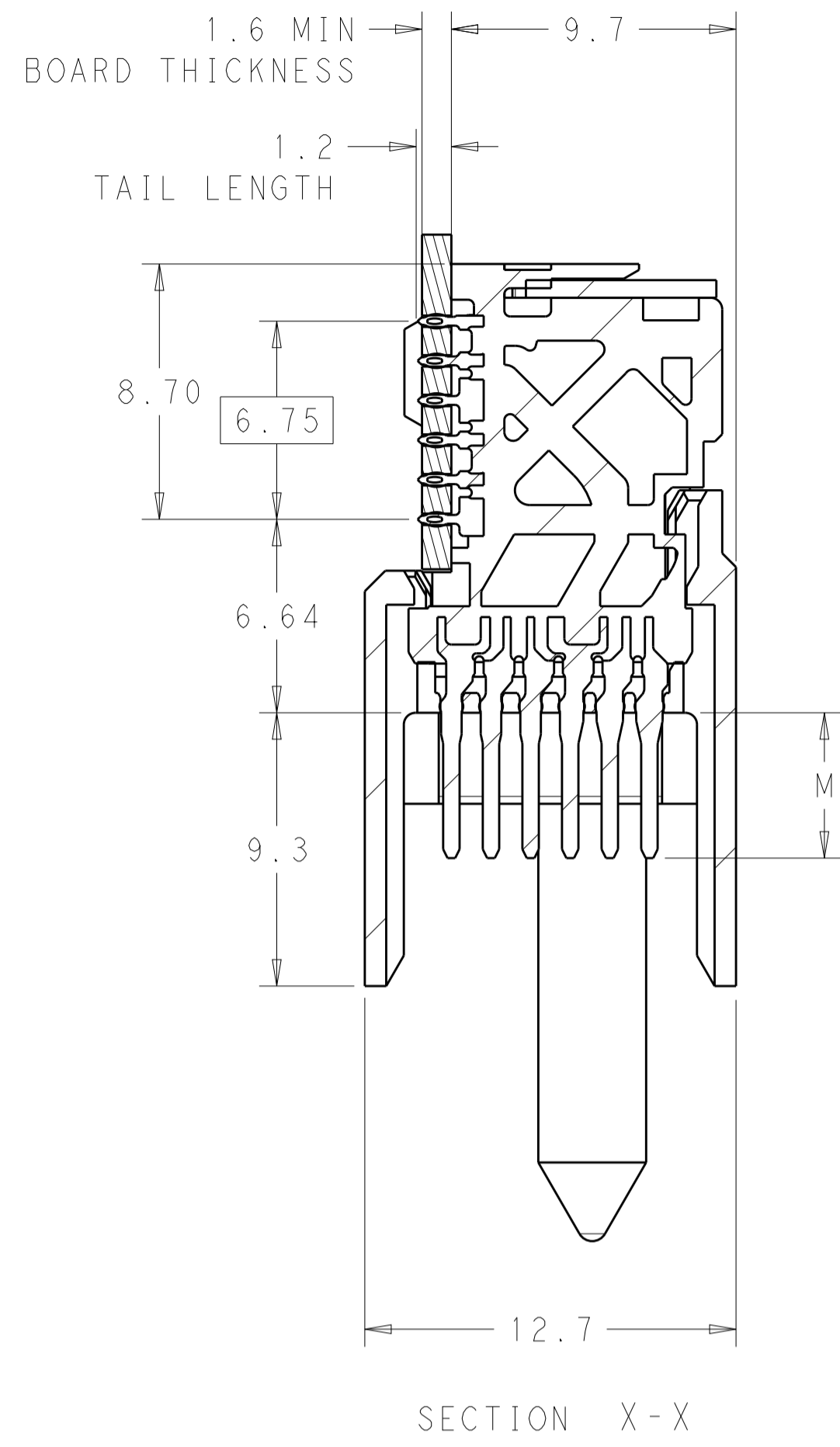
Tel: +86-755-8981 8866 Fax: +86-755-8427 6832

Email & Skype: info@chipsmall.com Web: www.chipsmall.com

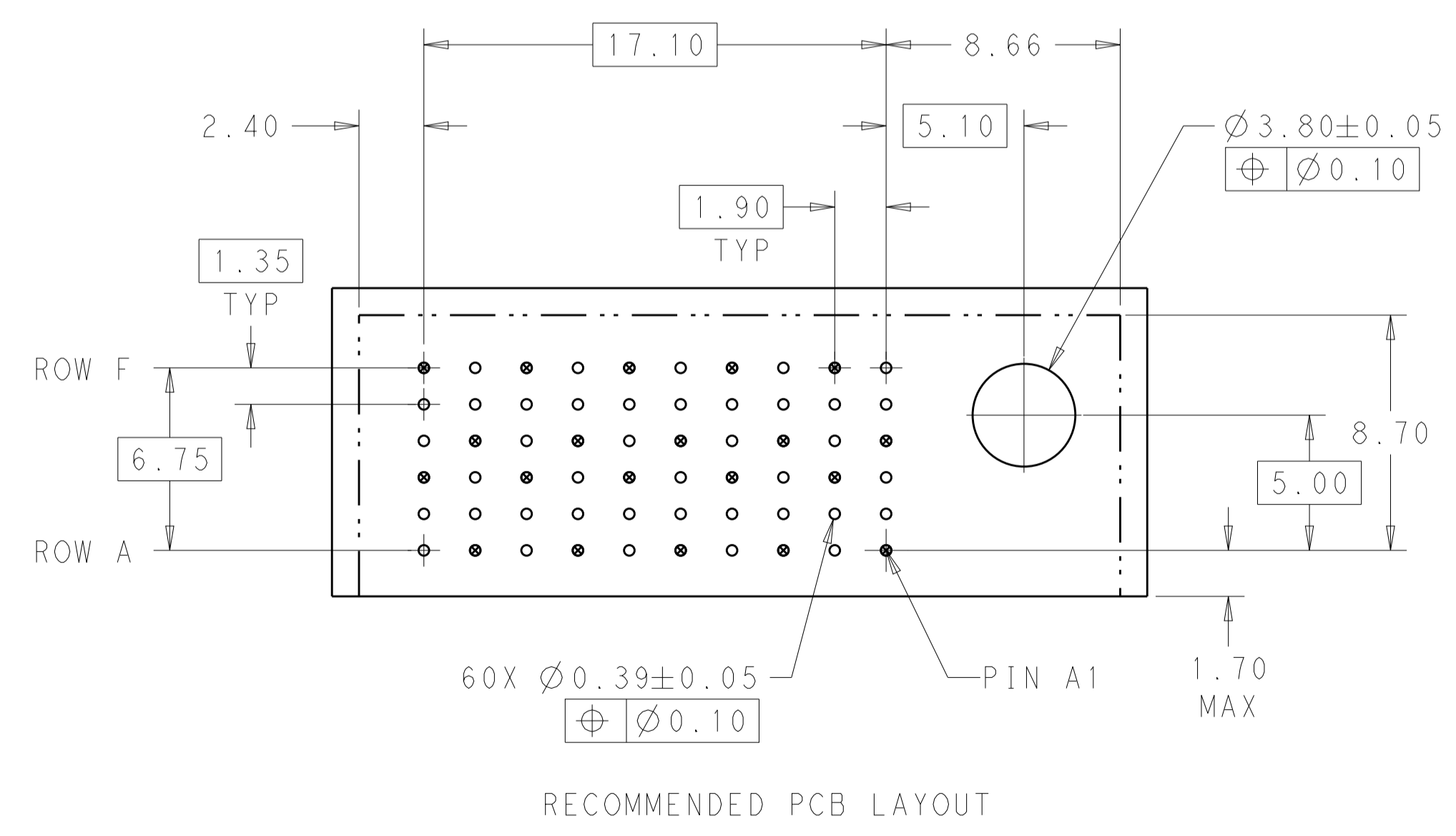
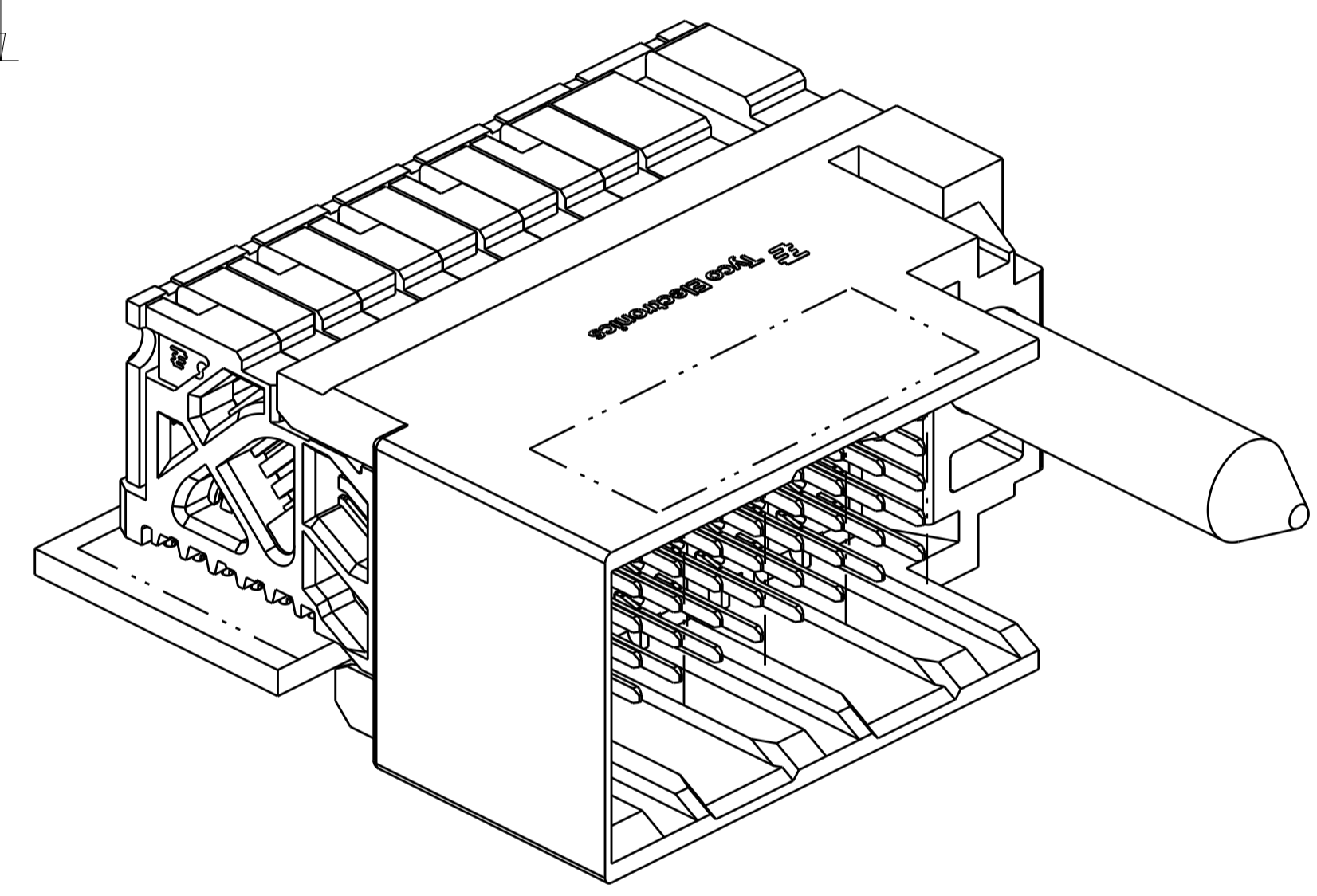
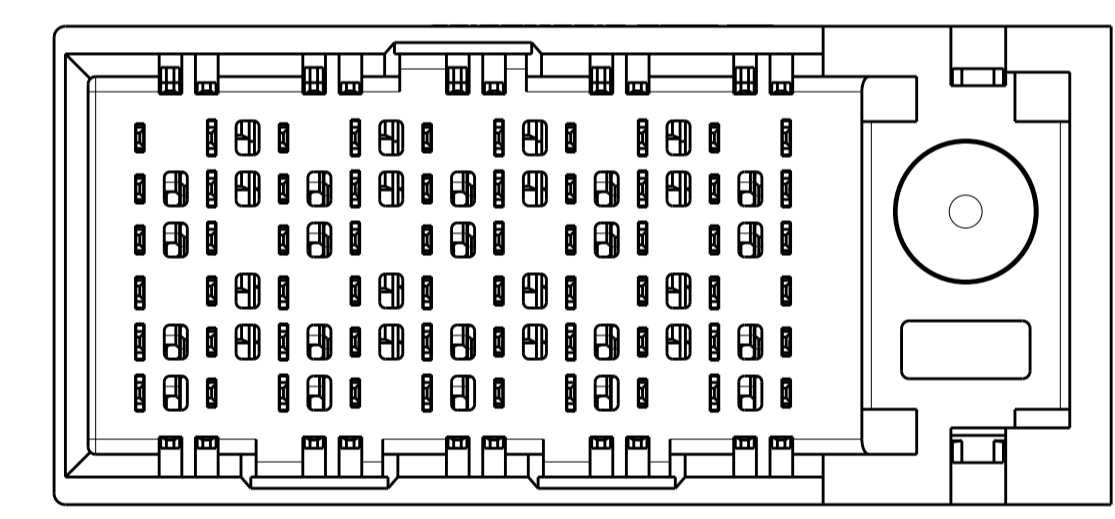
Address: A1208, Overseas Decoration Building, #122 Zhenhua RD., Futian, Shenzhen, China



REVISIONS				
P.	LTH	DESCRIPTION	DATE	APVD
B1		REVISED PER ECO-15-003239	24MAR2015	AP DD

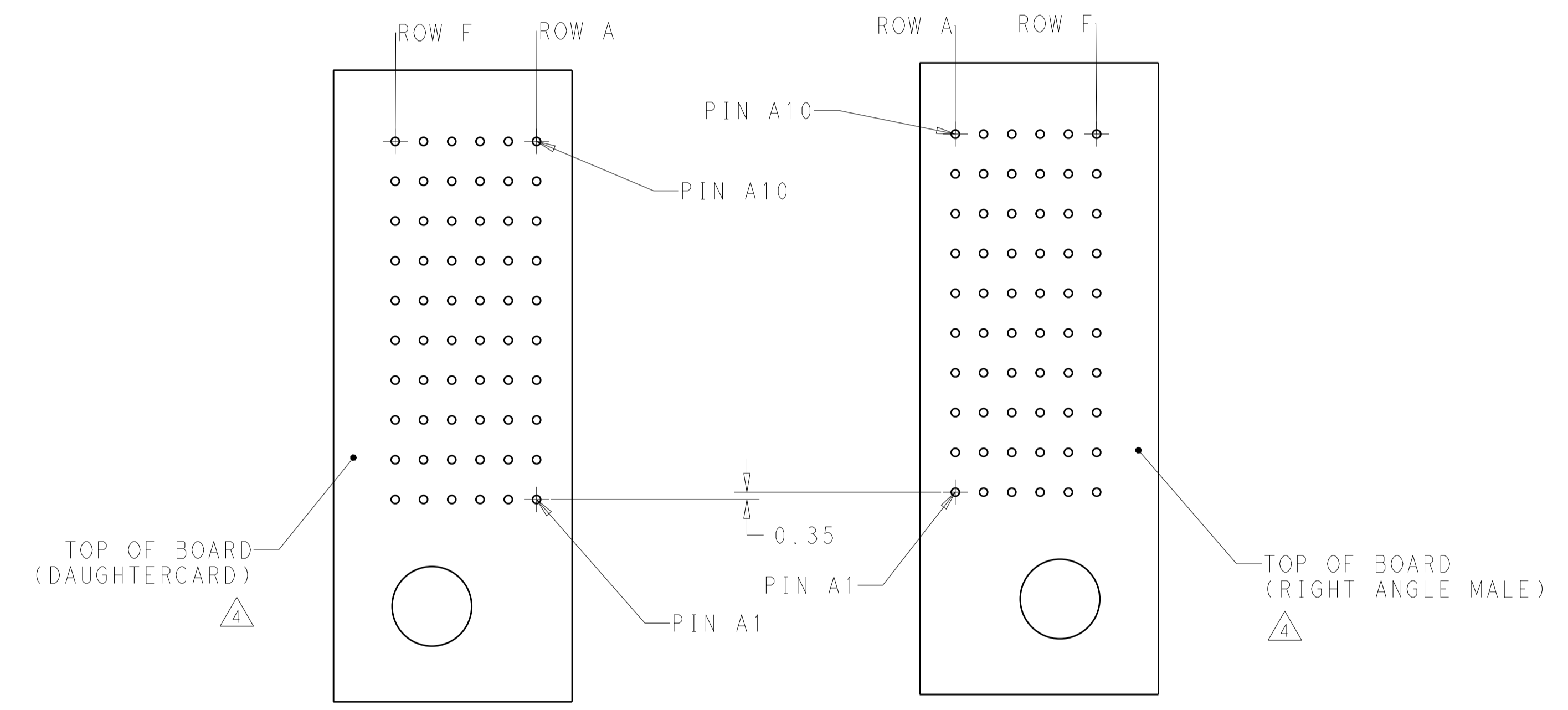


- 1 MATERIAL:
HOUSING: LCP, GLASS FILLED, UL94V-0.
TERMINALS: HIGH PERFORMANCE COPPER ALLOY.
- 2 FINISH:
30µm SELECTIVE GOLD IN CONTACT AREA. SELECTIVE TIN ON PCB TAILS, NICKEL OVERALL.
- 3 FINISH:
30µm SELECTIVE GOLD IN CONTACT AREA. SELECTIVE TIN-LEAD ON PCB TAILS, NICKEL OVERALL.
- 4 RIGHT GUIDED RIGHT ANGLE MALE MATES TO LEFT GUIDED RIGHT ANGLE RECEPTACLE.
- 5. CONNECTOR SUPPLIED WITH MOUNTING SCREW.



THIS DRAWING IS A CONTROLLED DOCUMENT.		DWN: 07APR2011	STE TE Connectivity
DIMENSIONS: mm		CHK: J. EARY 07APR2011	
TOLERANCES UNLESS OTHERWISE SPECIFIED:		APVD: J. EARY 07APR2011	NAME: IMPACT, STD. RAM, 2 PAIR, 10 COLUMN, RIGHT GUIDED LEFT END WALL SIGNAL MODULE, 0.39 EYELET
0 PLC ±0.25		PRODUCT SPEC	
1 PLC ±0.13		APPLICATION SPEC	SIZE: CAGE CODE DRAWING NO
2 PLC ±0.13		WEIGHT	A100779C=2143019
3 PLC ±0.13		Customer Drawing	RESTRICTED TO
4 PLC ±0.13		SCALE: 5:1	SHEET 1 OF 2
ANGLES ±0.13		REV: B1	
FINISH: SEE TABLE			

REVISIONS				
P.	LTR.	DESCRIPTION	DATE	OWN APVD
-	-	SEE SHEET 1	-	-



COPLANAR MATED SIGNAL PATHS



	5.50	2143019-6
	4.90	2143019-5
	5.50	2143019-3
	4.90	2143019-2
FINISH	DIM M	PART NUMBER

REFER TO WWW.TE.COM FOR PRODUCT AVAILABILITY

THIS DRAWING IS A CONTROLLED DOCUMENT.		DWN 07APR2011	TE Connectivity	
DIMENSIONS: mm		CHK J. EARY 07APR2011		
TOLERANCES UNLESS OTHERWISE SPECIFIED: 0 PLC ± .25 1 PLC ± 0.13 2 PLC ± .13 3 PLC ± .13 4 PLC ± .13 ANGLES ° ± .1		APVD J. EARY 07APR2011	NAME: IMPACT, STD. RAM, 2 PAIR, 10 COLUMN, RIGHT GUIDED LEFT END WALL SIGNAL MODULE, 0.39 EYELET	
MATERIAL: SEE TABLE		PRODUCT SPEC	SIZE: CAGE CODE: DRAWING NO: RESTRICTED TO	
		APPLICATION SPEC	A100779 © = 2143019	
		WEIGHT	Customer Drawing	
		SCALE 5:1	SHEET 2 OF 2 REV B1	