



Chipsmall Limited consists of a professional team with an average of over 10 year of expertise in the distribution of electronic components. Based in Hongkong, we have already established firm and mutual-benefit business relationships with customers from,Europe,America and south Asia,supplying obsolete and hard-to-find components to meet their specific needs.

With the principle of “Quality Parts,Customers Priority,Honest Operation,and Considerate Service”,our business mainly focus on the distribution of electronic components. Line cards we deal with include Microchip,ALPS,ROHM,Xilinx,Pulse,ON,Everlight and Freescale. Main products comprise IC,Modules,Potentiometer,IC Socket,Relay,Connector.Our parts cover such applications as commercial,industrial, and automotives areas.

We are looking forward to setting up business relationship with you and hope to provide you with the best service and solution. Let us make a better world for our industry!



## Contact us

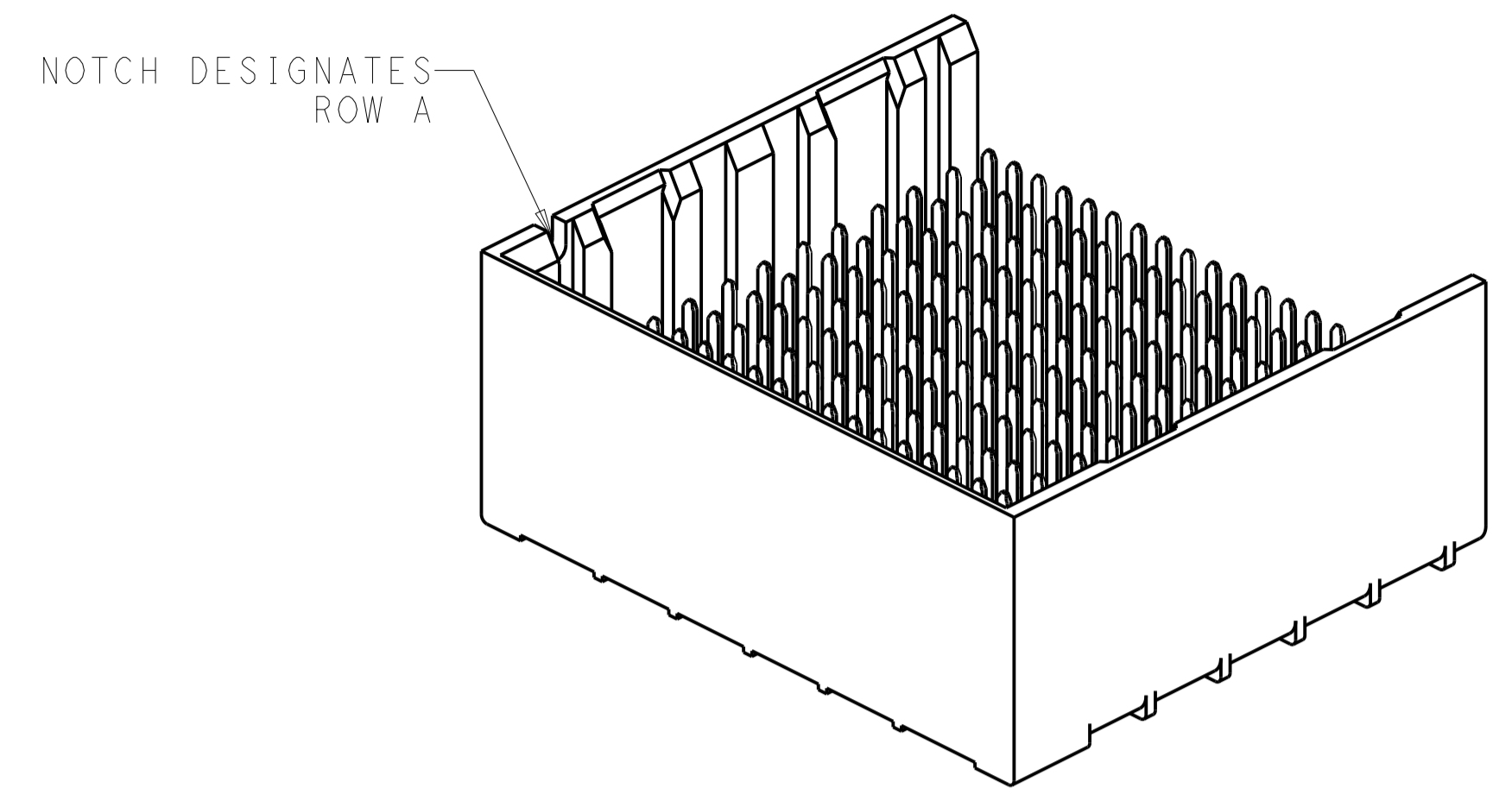
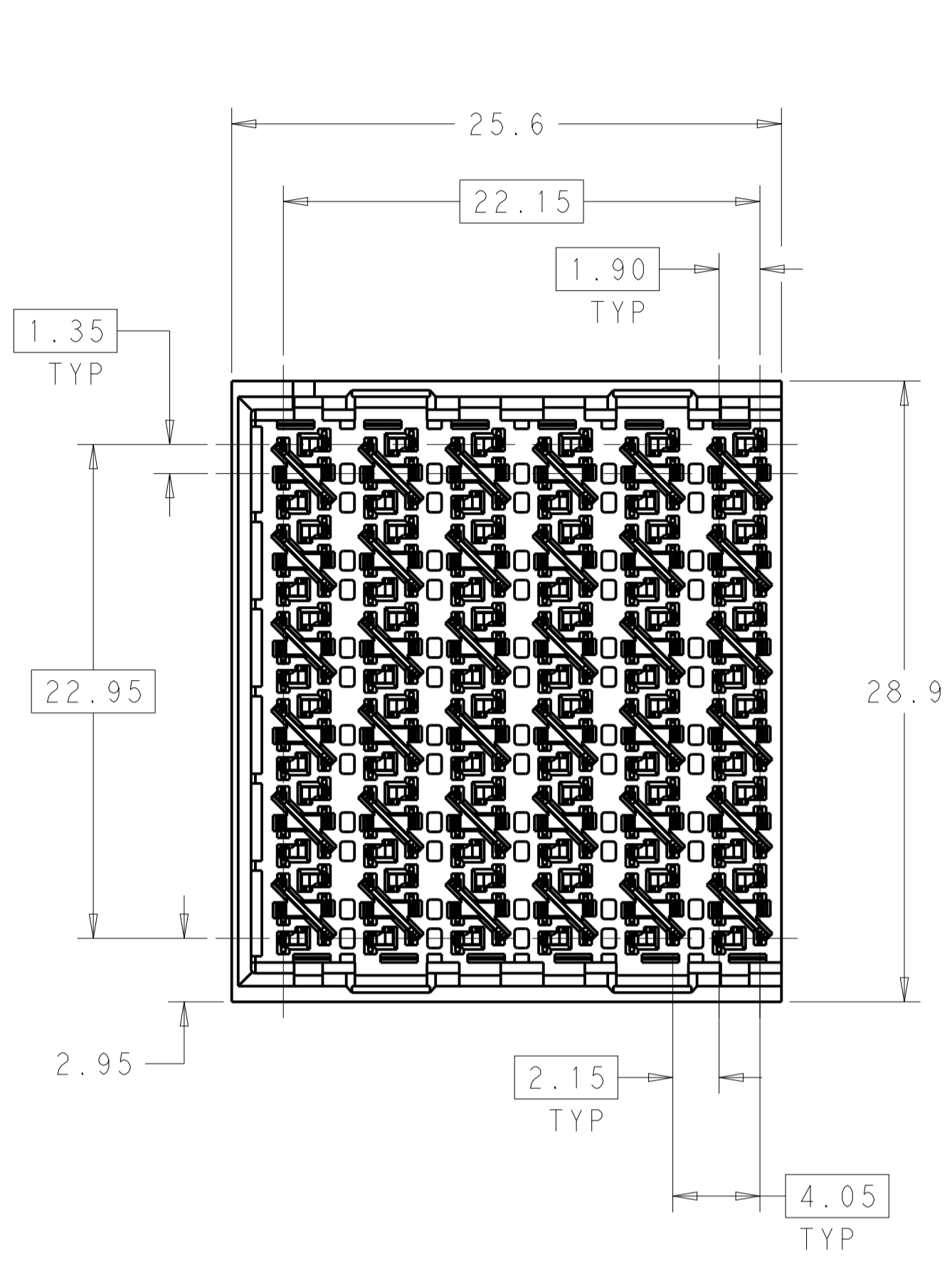
Tel: +86-755-8981 8866 Fax: +86-755-8427 6832

Email & Skype: info@chipsmall.com Web: www.chipsmall.com

Address: A1208, Overseas Decoration Building, #122 Zhenhua RD., Futian, Shenzhen, China

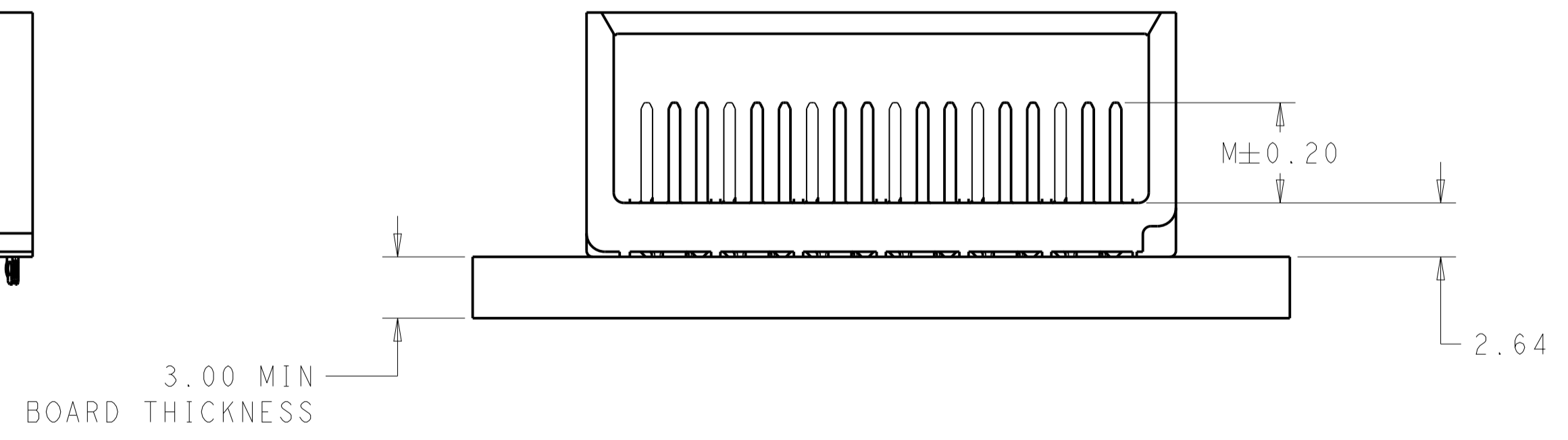
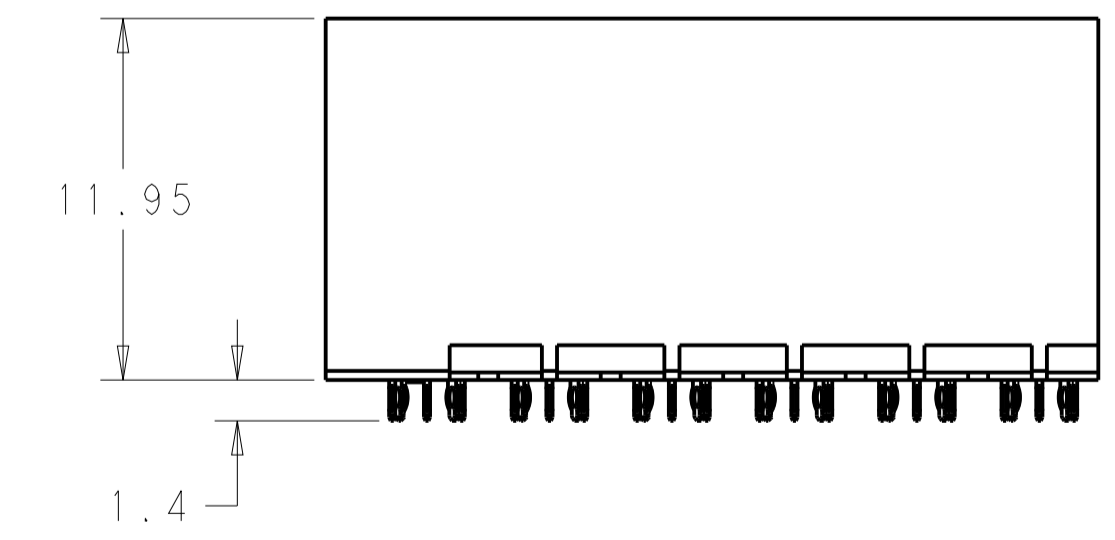
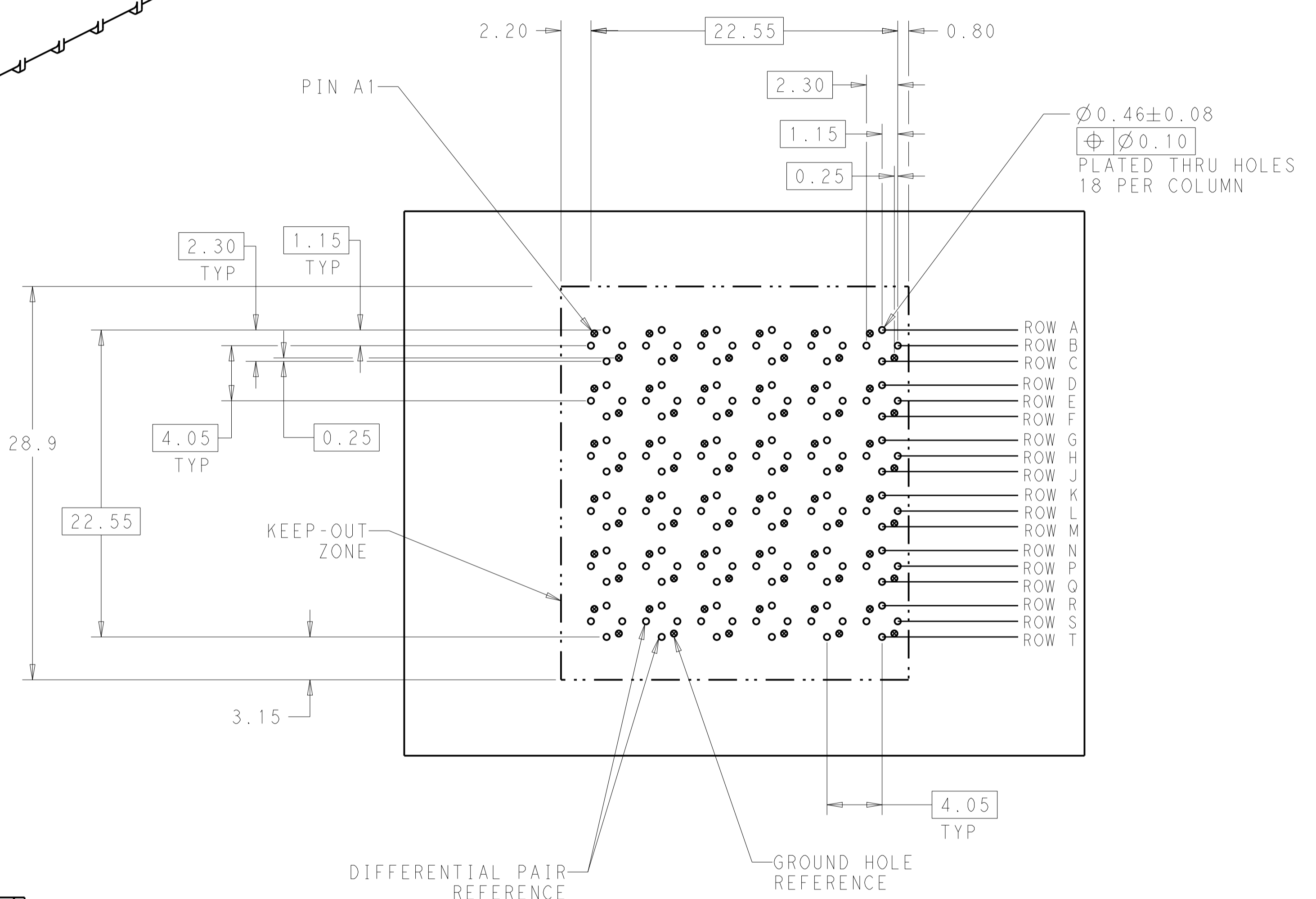


REVISIONS				
P.	LTN.	DESCRIPTION	DATE	APVD.
C		REVISED PER ECO-14-013273	04NOV2014	AP DD



△ MATERIAL:  
 HOUSING: LCP GLASS FILLED UL94V-0  
 TERMINALS: HIGH PERFORMANCE COPPER ALLOY

△ FINISH:  
 30μ" MIN GOLD IN CONTACT AREA  
 SELECTIVE TIN ON PCB TAILS.  
 NICKEL OVERALL.



LEFT GUIDED  
 BACKPLANE HOLE PATTERN  
 (CONNECTOR SIDE)  
 SCALE 4:1

△	5.5	2143278-2
△	4.9	2143278-1
FINISH	DIM M	PART NUMBER

THIS DRAWING IS A CONTROLLED DOCUMENT.		OWN J. K. SHOBER 28DEC2010	TE Connectivity IMPACT, 6 PAIR, 12 COLUMN, UNGUIDED LEFT END WALL ASSEMBLY, ORTHOGONAL, 0.46 PTH
DIMENSIONS:		CHK J. EARY 28DEC2010	
TOLERANCES UNLESS OTHERWISE SPECIFIED:		APVD J. EARY 28DEC2010	
mm 0 PLC ± 1 PLC ±0.25 2 PLC ±0.13 3 PLC ± 4 PLC ± ANGLES ±0		NAME	
MATERIAL	SEE TABLE	WEIGHT	SIZE CAGE CODE DRAWING NO. RESTRICTED TO
FINISH		CUSTOMER DRAWING	A100779C=2143278
SCALE 4:1		SHEET 1 OF 1	REV C