



Chipsmall Limited consists of a professional team with an average of over 10 year of expertise in the distribution of electronic components. Based in Hongkong, we have already established firm and mutual-benefit business relationships with customers from,Europe,America and south Asia,supplying obsolete and hard-to-find components to meet their specific needs.

With the principle of "Quality Parts,Customers Priority,Honest Operation,and Considerate Service",our business mainly focus on the distribution of electronic components. Line cards we deal with include Microchip,ALPS,ROHM,Xilinx,Pulse,ON,Everlight and Freescale. Main products comprise IC,Modules,Potentiometer,IC Socket,Relay,Connector.Our parts cover such applications as commercial,industrial, and automotives areas.

We are looking forward to setting up business relationship with you and hope to provide you with the best service and solution. Let us make a better world for our industry!



Contact us

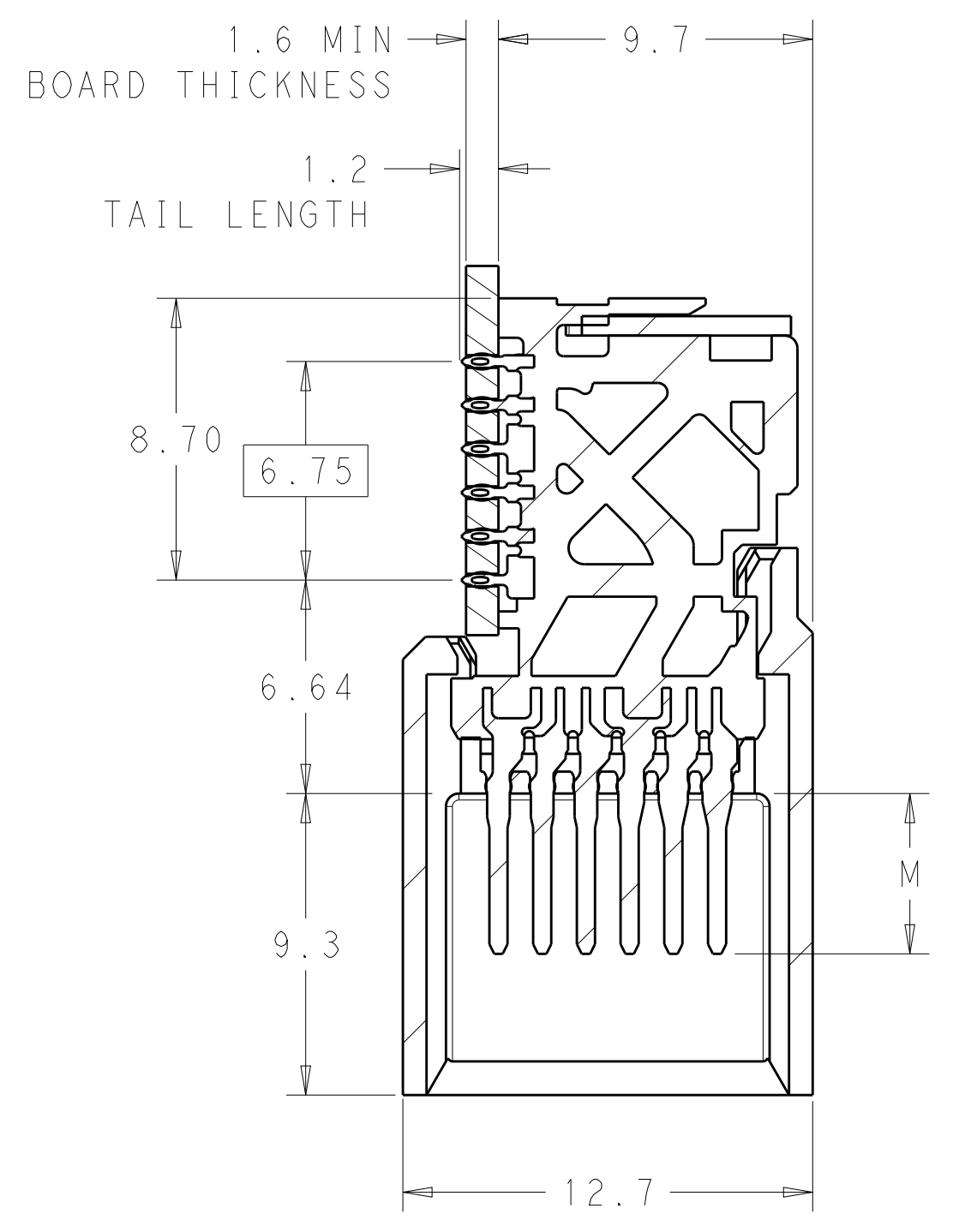
Tel: +86-755-8981 8866 Fax: +86-755-8427 6832

Email & Skype: info@chipsmall.com Web: www.chipsmall.com

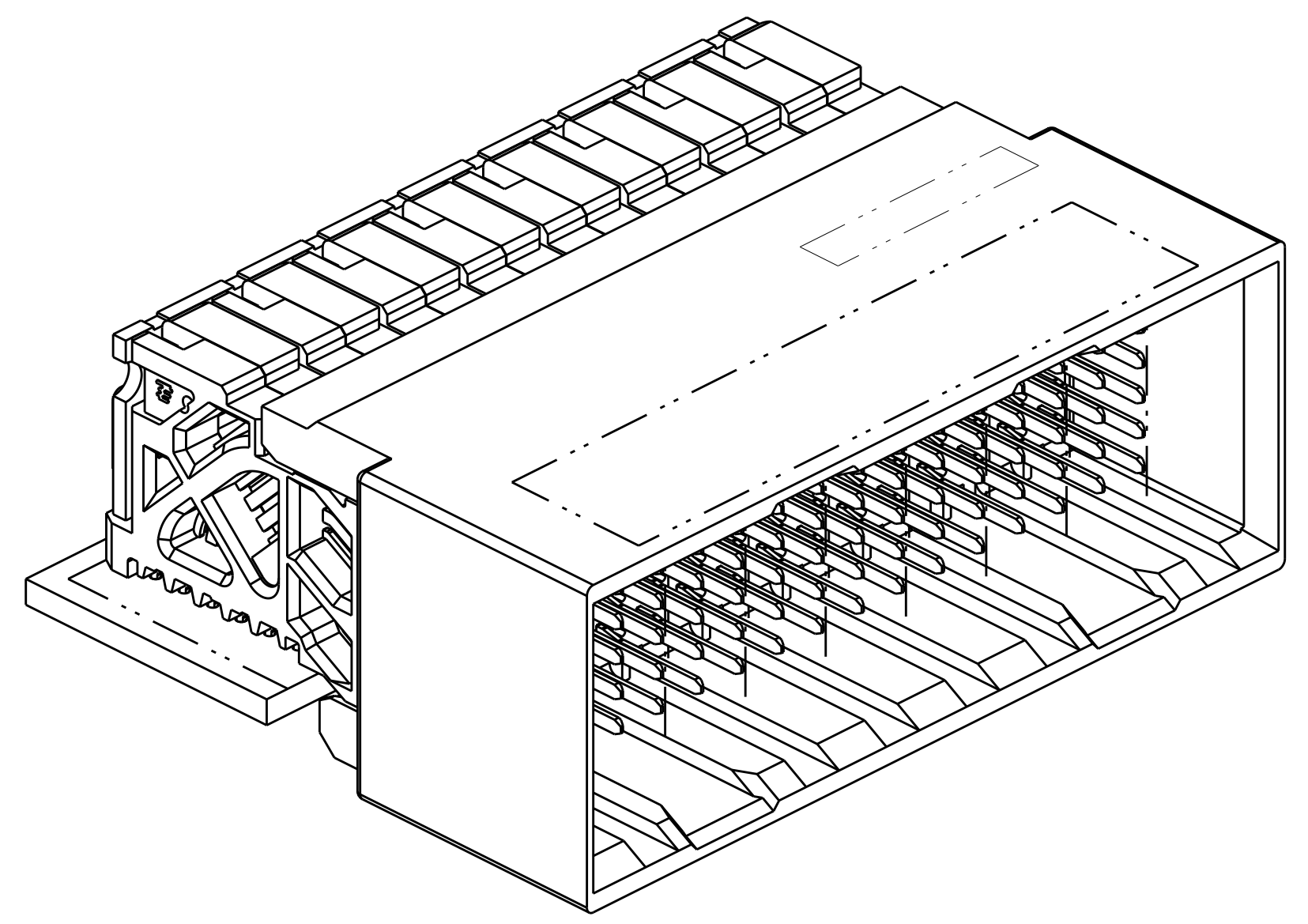
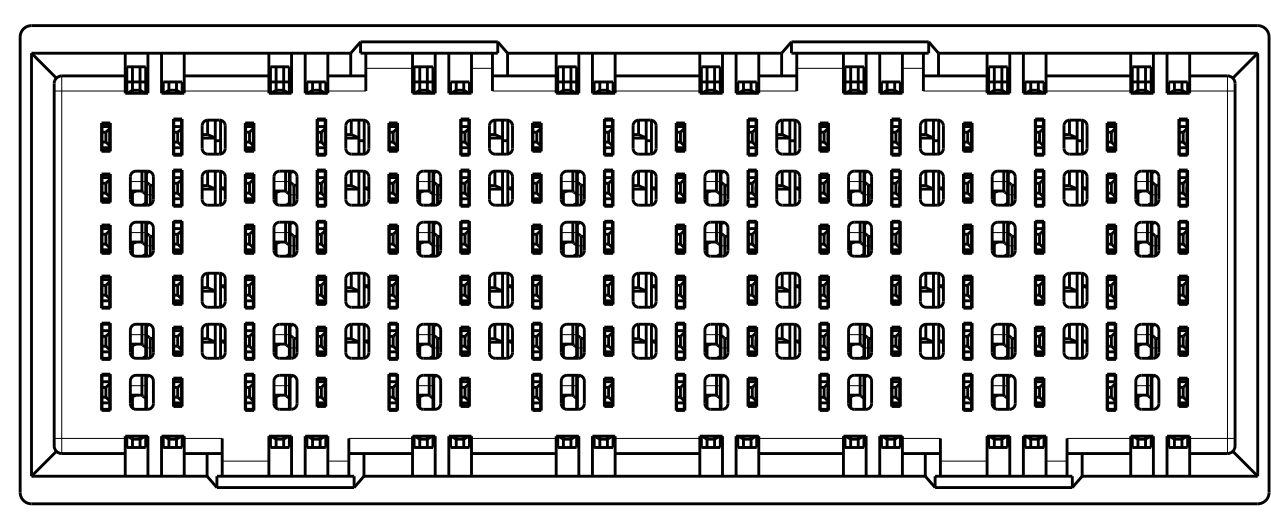
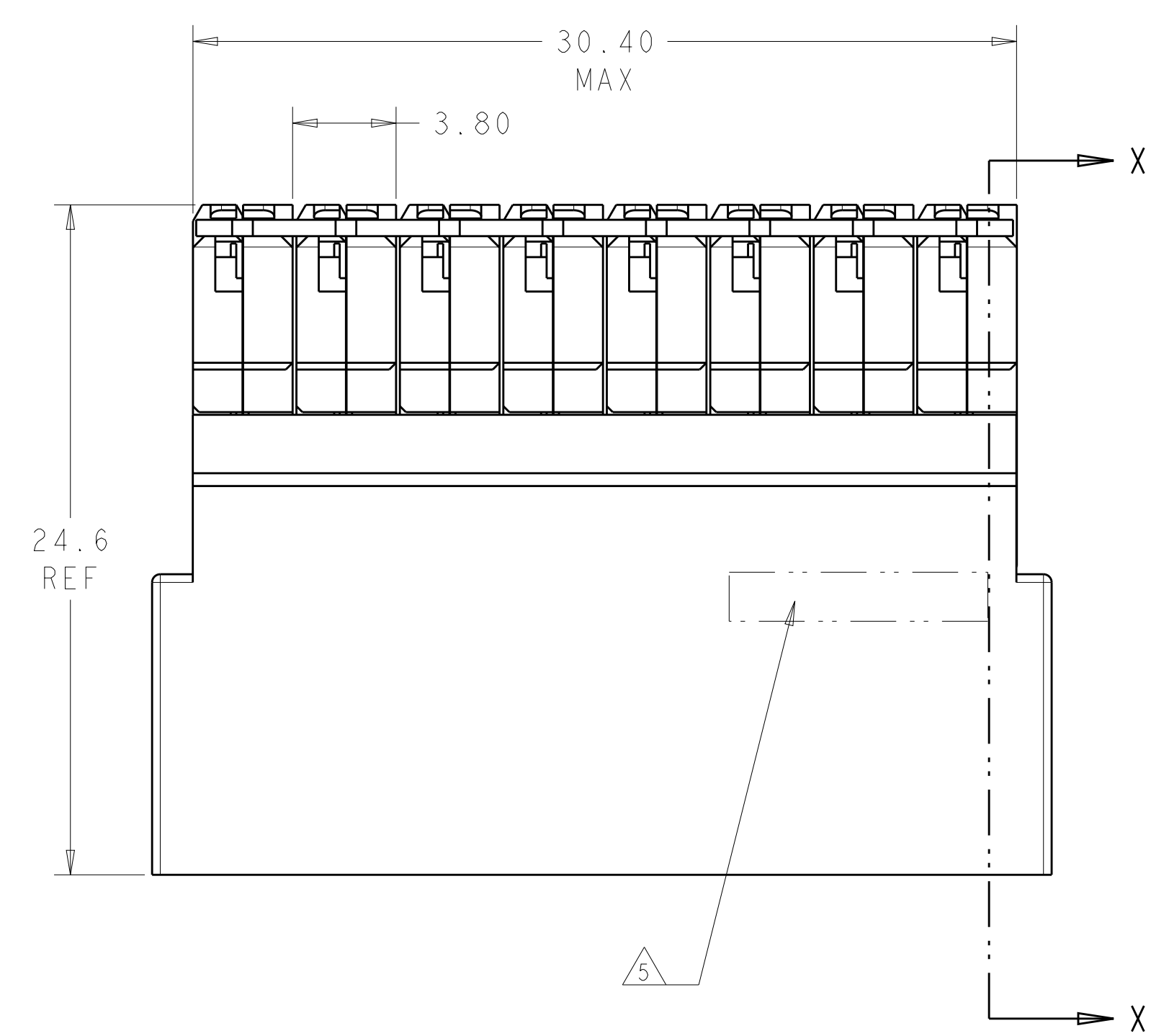
Address: A1208, Overseas Decoration Building, #122 Zhenhua RD., Futian, Shenzhen, China



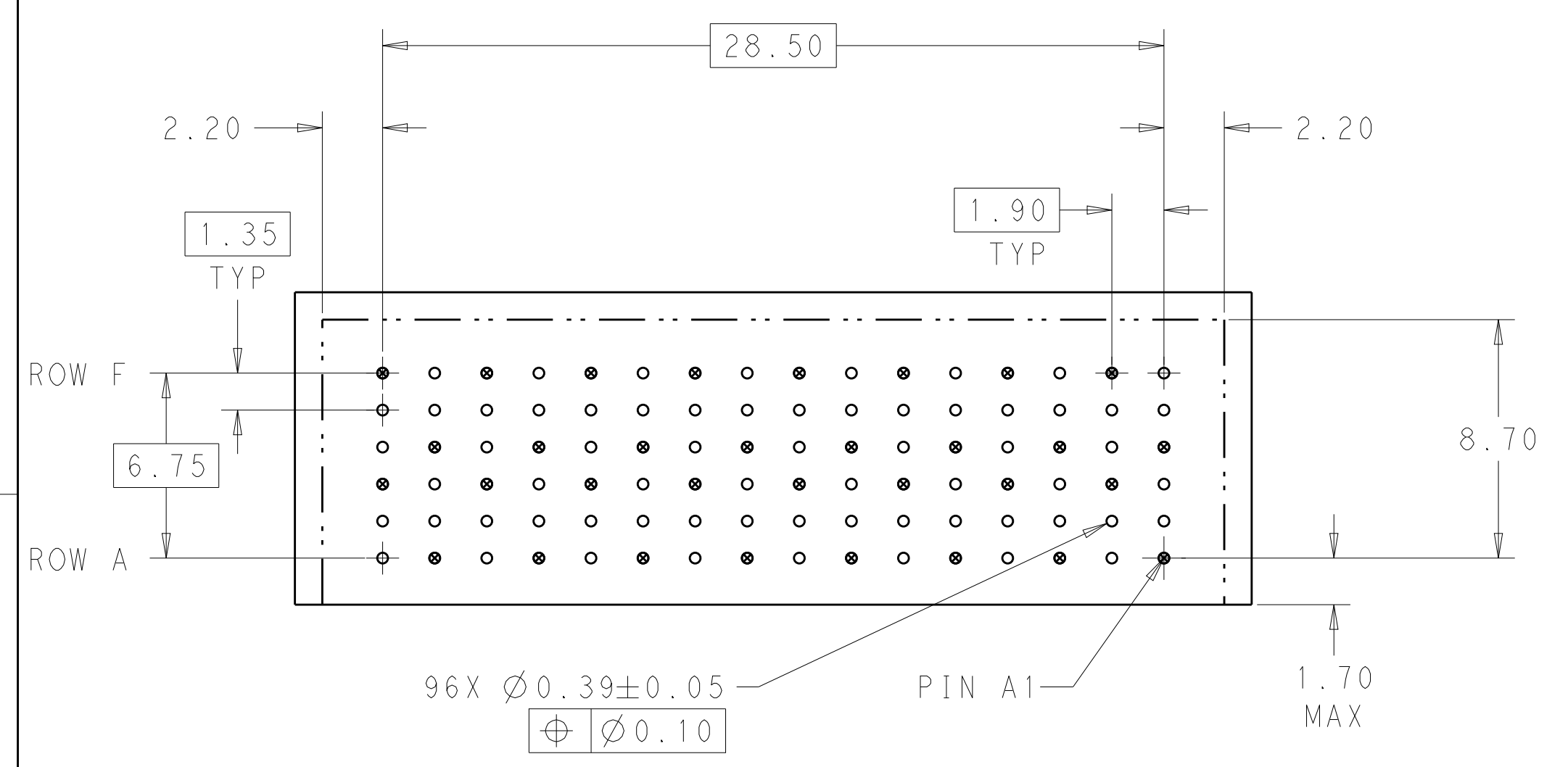
LOC		DIST		REVISIONS			
AD	00	P	LTN	DESCRIPTION	DATE	DWN	APVD
		C		REVISED PER ECO-14-005775	21APR2014	AP	DD



SECTION X-X



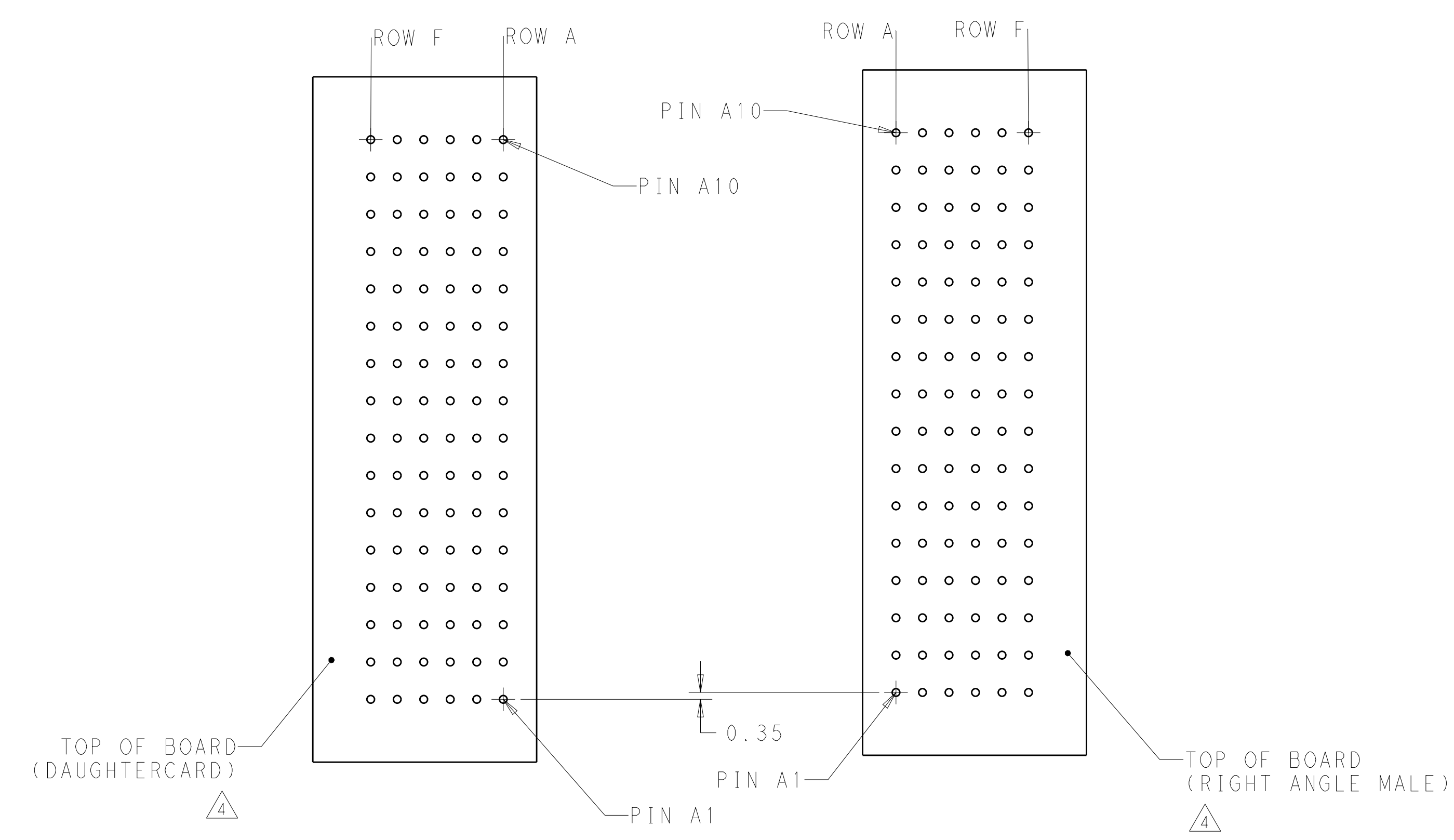
- 1 MATERIAL:
HOUSING: LCP, GLASS FILLED, UL94V-0.
TERMINALS: HIGH PERFORMANCE COPPER ALLOY.
- 2 FINISH:
30µm SELECTIVE GOLD IN CONTACT AREA. SELECTIVE TIN ON PCB TAILS, NICKEL OVERALL.
- 3 FINISH:
30µm SELECTIVE GOLD IN CONTACT AREA. SELECTIVE TIN-LEAD ON PCB TAILS, NICKEL OVERALL.
- 4 UNGUIDED RIGHT ANGLE MALE MATES TO UNGUIDED RIGHT ANGLE RECEPTACLE.
- 5 TE LOGO LOCATED IN APPROXIMATE LOCATION.



RECOMMENDED PCB LAYOUT

THIS DRAWING IS A CONTROLLED DOCUMENT.		DWN	07APR2011	STE TE Connectivity
DIMENSIONS:		CHK	07APR2011	
mm	0 PLC ±	APVD	07APR2011	NAME IMPACT, STD, RAM, 2 PAIR, 16 COLUMN, UNGUIDED DUALEND WALL SIGNAL MODULE, 0.39 EYELET
	1 PLC ±0.25	PRODUCT SPEC		
	2 PLC ±0.13	APPLICATION SPEC		SIZE
	3 PLC ±	WEIGHT		A100779C=2143311
	4 PLC ±	CUSTOMER DRAWING		SCALE
	ANGLES ±			5:1
MATERIAL	FINISH			SHEET
SEE TABLE				1 OF 2
				REV
				C

LOC		DIST		REVISIONS			
P	LTN	DESCRIPTION	DATE	DWN	APVD		
-	-	SEE SHEET 1	-	-	-	-	-



COPLANAR MATED SIGNAL PATHS



	5.50	2143311-6
	4.90	2143311-5
	5.50	2143311-3
	4.90	2143311-2
FINISH	DIM M	PART NUMBER

REFER TO WWW.TE.COM FOR PRODUCT AVAILABILITY

THIS DRAWING IS A CONTROLLED DOCUMENT.		DWN	07APR2011	TE Connectivity	
DIMENSIONS:		CHK	07APR2011		
mm		J. EARY			
TOLERANCES UNLESS OTHERWISE SPECIFIED:		APVD	07APR2011		
0 PLC ±		J. EARY		NAME	IMPACT, STD, RAM, 2 PAIR, 16 COLUMN, UNGUIDED DUALEND WALL SIGNAL MODULE, 0.39 EYELET
1 PLC ±0.25				PRODUCT SPEC	
2 PLC ±0.13				APPLICATION SPEC	
3 PLC ±				WEIGHT	
4 PLC ±				SIZE	A100779C=2143311
ANGLES				RESTRICTED TO	
FINISH				CUSTOMER DRAWING	
SEE TABLE				SCALE	5:1 SHEET 2 OF 2 REV C