



Chipsmall Limited consists of a professional team with an average of over 10 year of expertise in the distribution of electronic components. Based in Hongkong, we have already established firm and mutual-benefit business relationships with customers from,Europe,America and south Asia,supplying obsolete and hard-to-find components to meet their specific needs.

With the principle of “Quality Parts,Customers Priority,Honest Operation,and Considerate Service”,our business mainly focus on the distribution of electronic components. Line cards we deal with include Microchip,ALPS,ROHM,Xilinx,Pulse,ON,Everlight and Freescale. Main products comprise IC,Modules,Potentiometer,IC Socket,Relay,Connector.Our parts cover such applications as commercial,industrial, and automotives areas.

We are looking forward to setting up business relationship with you and hope to provide you with the best service and solution. Let us make a better world for our industry!



## Contact us

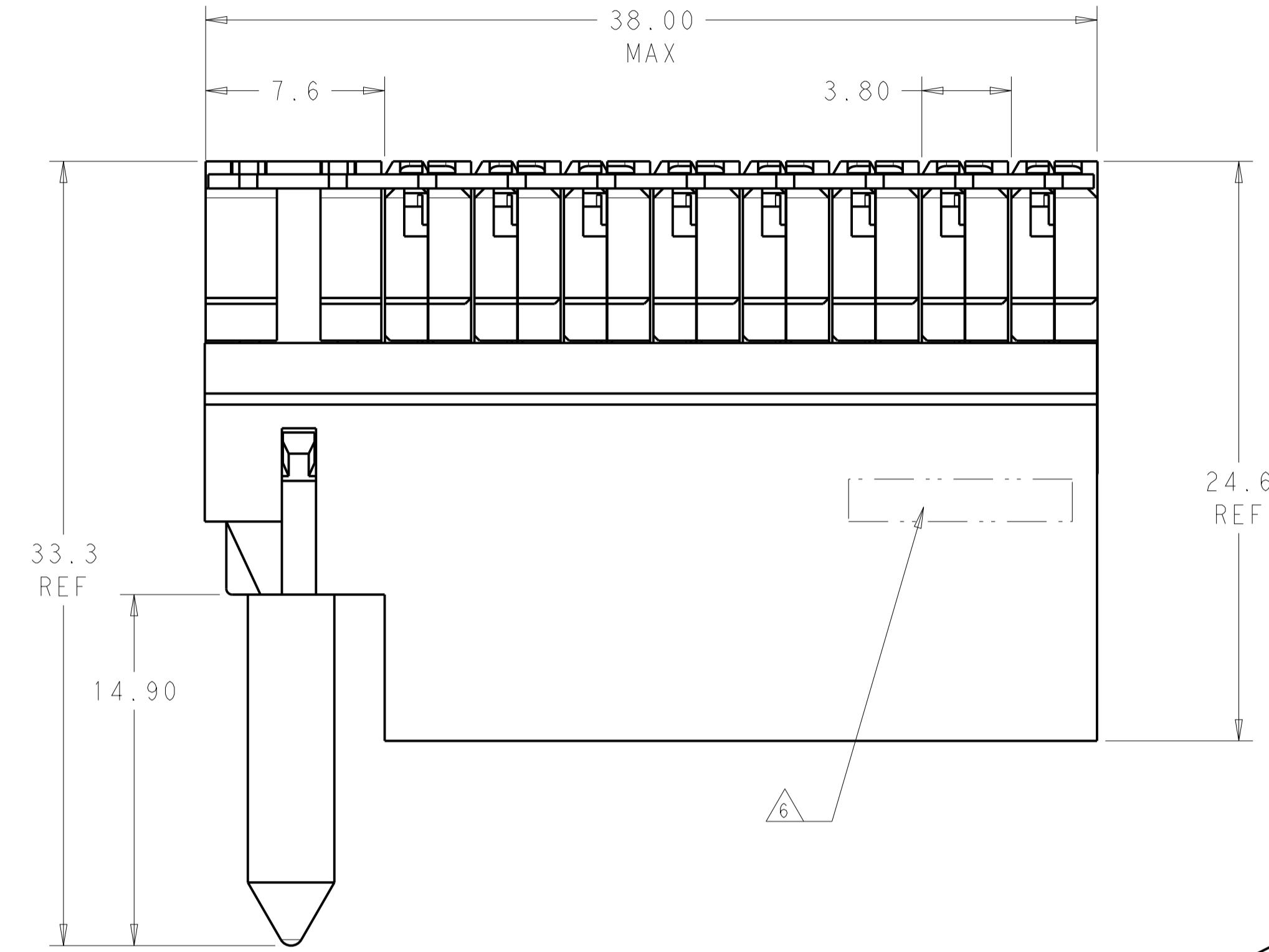
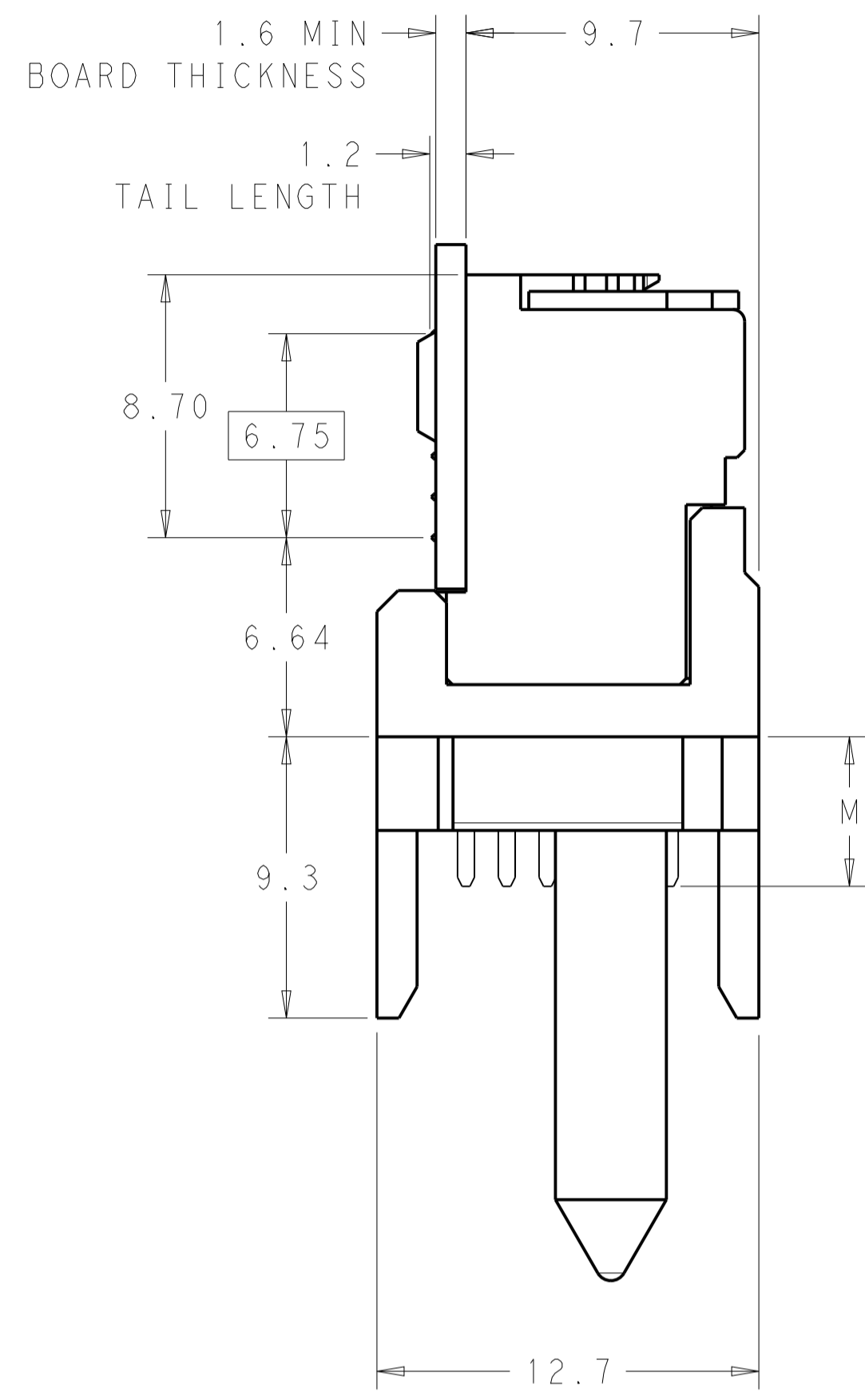
Tel: +86-755-8981 8866 Fax: +86-755-8427 6832

Email & Skype: info@chipsmall.com Web: www.chipsmall.com

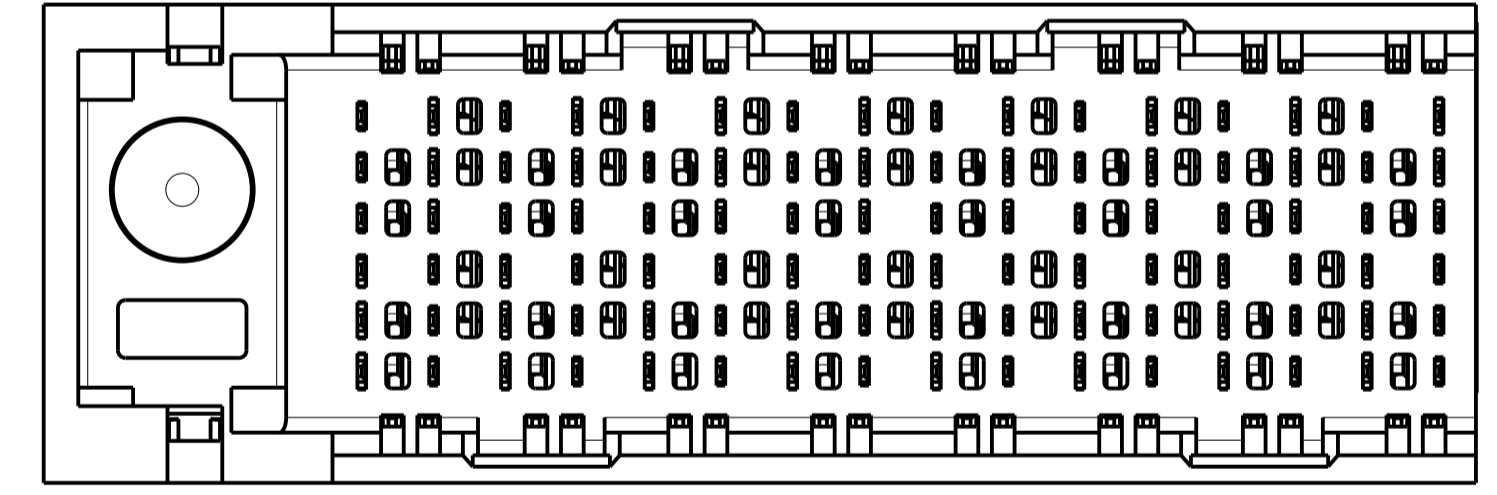
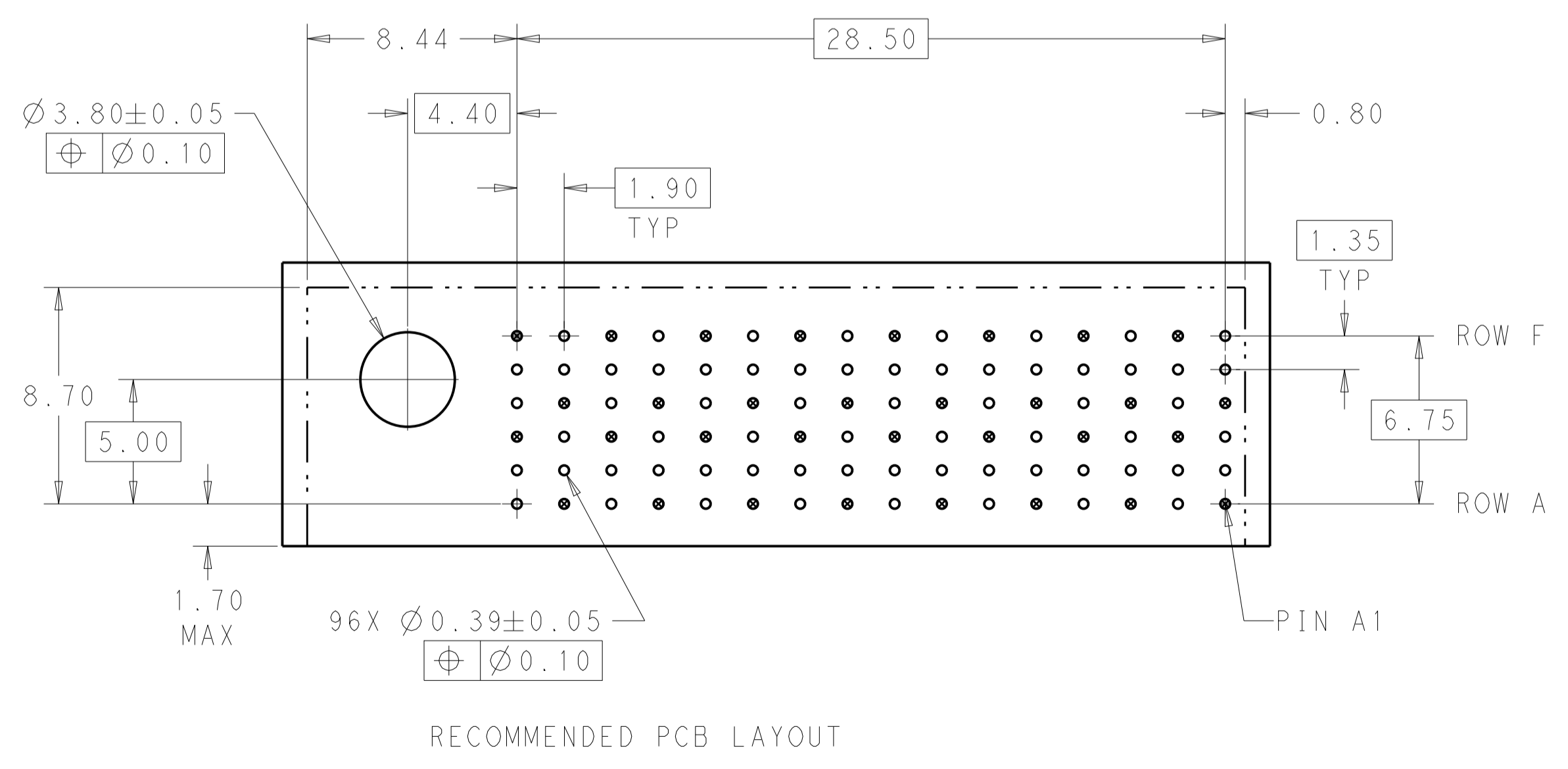
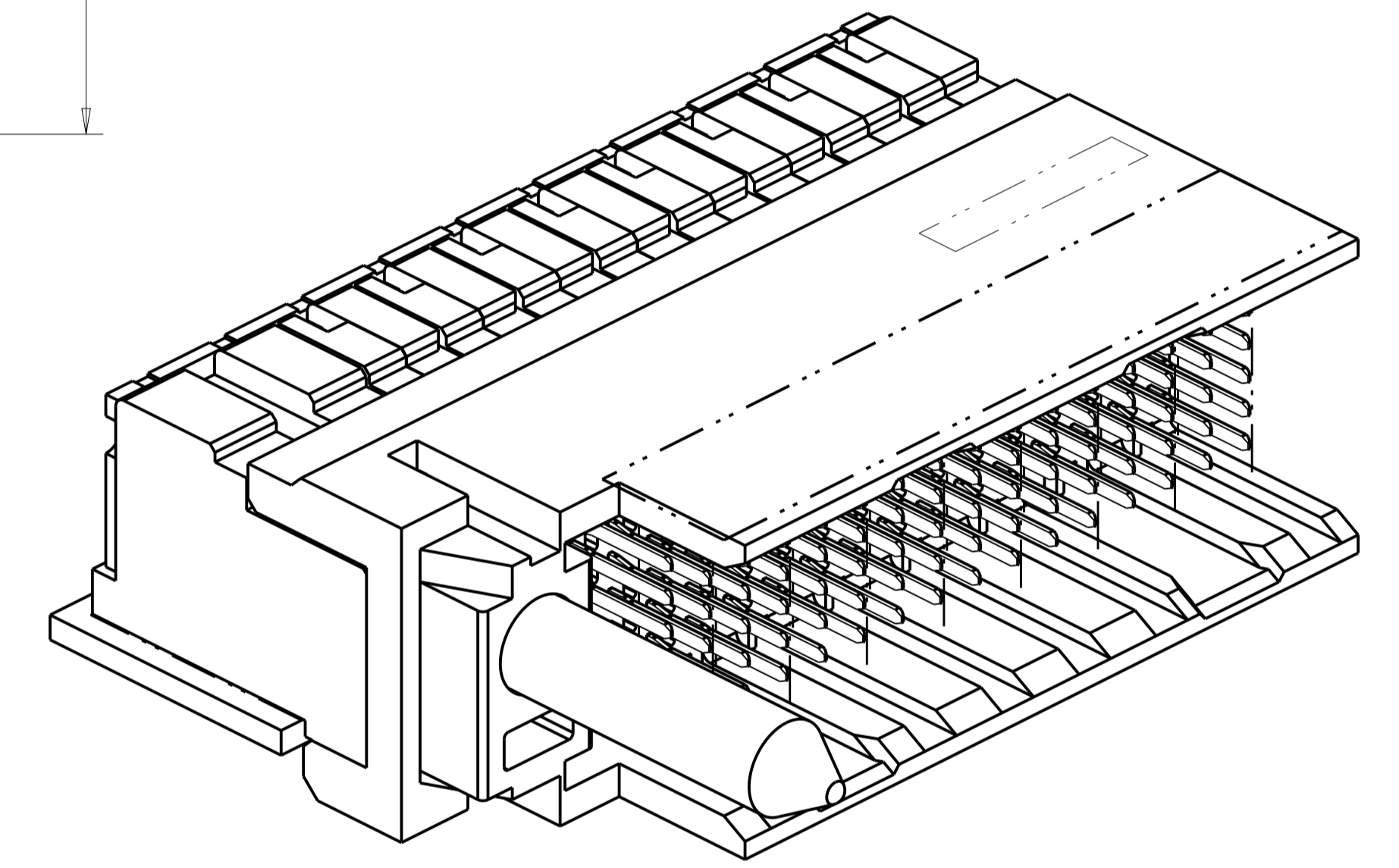
Address: A1208, Overseas Decoration Building, #122 Zhenhua RD., Futian, Shenzhen, China



LOC		DIST		REVISIONS			
AD	00	REV	DATE	BY	CHK	APP	DATE
		C	22APR2014	AP	DD		

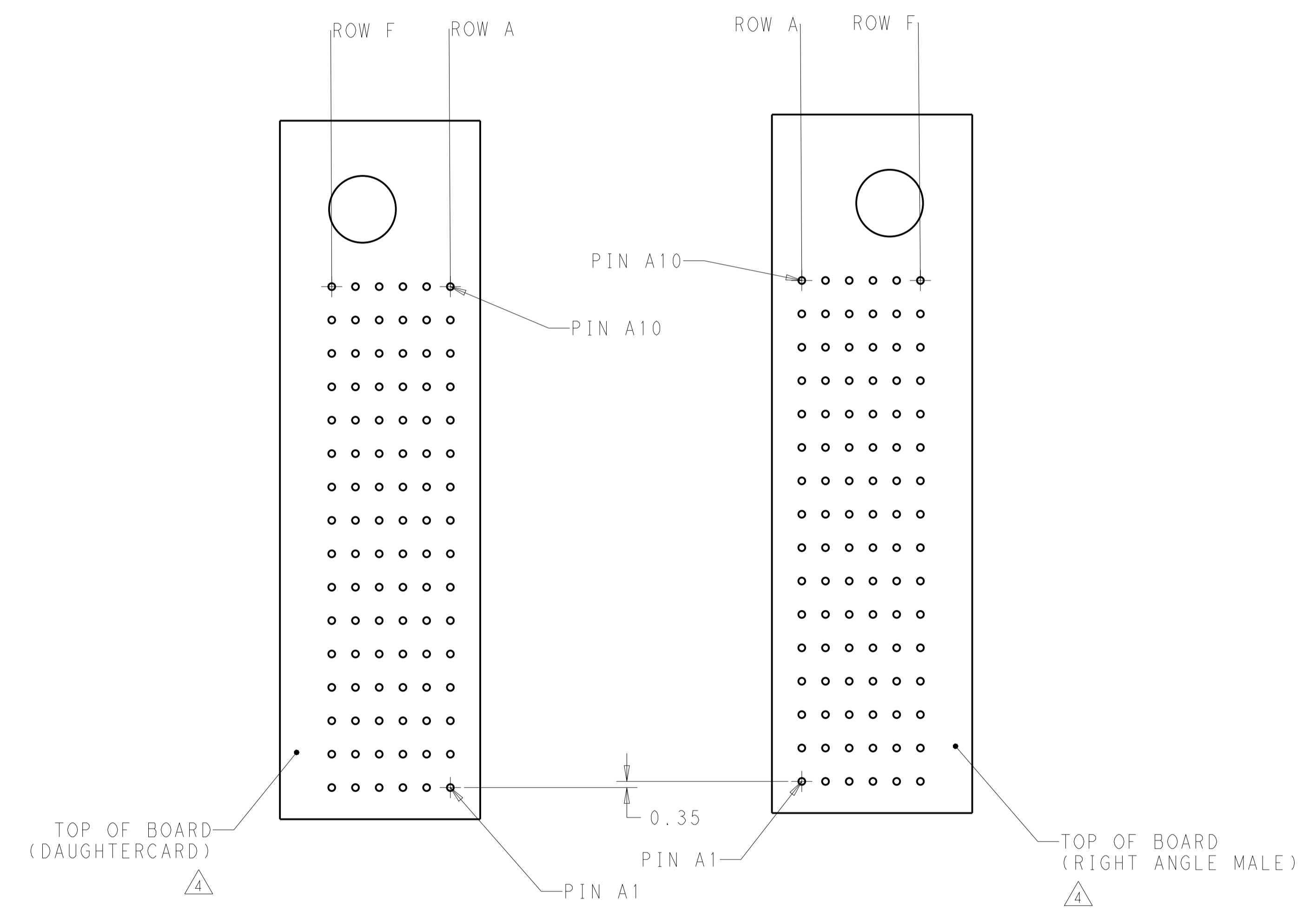


- △ MATERIAL:  
HOUSING: LCP, GLASS FILLED, UL94V-0.  
TERMINALS: HIGH PERFORMANCE COPPER ALLOY.
- △ FINISH:  
30µm SELECTIVE GOLD IN CONTACT AREA. SELECTIVE TIN ON PCB TAILS, NICKEL OVERALL.
- △ FINISH:  
30µm SELECTIVE GOLD IN CONTACT AREA. SELECTIVE TIN-LEAD ON PCB TAILS, NICKEL OVERALL.
- △ LEFT GUIDED RIGHT ANGLE MALE MATES TO RIGHT GUIDED RIGHT ANGLE RECEPTACLE.
- 5. CONNECTOR SUPPLIED WITH MOUNTING SCREW.
- △ TE LOGO LOCATED IN APPROXIMATE LOCATION.



THIS DRAWING IS A CONTROLLED DOCUMENT.		DWN	07APR2011	<b>STE</b> TE Connectivity
DIMENSIONS:		CHK	07APR2011	
mm	TOLERANCES UNLESS OTHERWISE SPECIFIED:	APVD	07APR2011	NAME IMPACT, STD. RAM, 2 PAIR, 16 COLUMN, LEFT GUIDED OPEN END WALL SIGNAL MODULE, 0.39 EYELET
Ø	0 PLC ±	APVD	07APR2011	
	1 PLC ±0.25	PRODUCT SPEC		SIZE
	2 PLC ±0.13	APPLICATION SPEC		CAGE CODE
	3 PLC ±	APPLICATION SPEC		DRAWING NO
	4 PLC ±	APPLICATION SPEC		RESTRICTED TO
	ANGLES ±	WEIGHT		A100779C=2143313
MATERIAL	FINISH SEE TABLE	CUSTOMER DRAWING	SCALE	5:1
			SHEET	1 OF 2
			REV	C

LOC		DIST		REVISIONS			
AD	00	REV	DATE	BY	DATE	APVD	DATE
		-	SEE SHEET 1				



COPLANAR MATED SIGNAL PATHS



△3	5.50	2143313-6
△3	4.90	2143313-5
△2	5.50	2143313-3
△2	4.90	2143313-2
FINISH	DIM M	PART NUMBER

REFER TO WWW.TE.COM FOR PRODUCT AVAILABILITY

THIS DRAWING IS A CONTROLLED DOCUMENT.		DWN	07APR2011	TE Connectivity
DIMENSIONS:		CHK	07APR2011	
mm		APVD	07APR2011	
TOLERANCES UNLESS OTHERWISE SPECIFIED: 0 PLC ± 1 PLC ±0.25 2 PLC ±0.13 3 PLC ± 4 PLC ± ANGLES ±		NAME	IMPACT, STD. RAM, 2 PAIR, 16 COLUMN, LEFT GUIDED OPEN END WALL SIGNAL MODULE, 0.39 EYELET	
MATERIAL		FINISH	SEE TABLE	RESTRICTED TO
CUSTOMER DRAWING		SCALE	5:1	SHEET 2 OF 2
		REV	C	