



Chipsmall Limited consists of a professional team with an average of over 10 year of expertise in the distribution of electronic components. Based in Hongkong, we have already established firm and mutual-benefit business relationships with customers from,Europe,America and south Asia,supplying obsolete and hard-to-find components to meet their specific needs.

With the principle of “Quality Parts,Customers Priority,Honest Operation,and Considerate Service”,our business mainly focus on the distribution of electronic components. Line cards we deal with include Microchip,ALPS,ROHM,Xilinx,Pulse,ON,Everlight and Freescale. Main products comprise IC,Modules,Potentiometer,IC Socket,Relay,Connector.Our parts cover such applications as commercial,industrial, and automotives areas.

We are looking forward to setting up business relationship with you and hope to provide you with the best service and solution. Let us make a better world for our industry!



## Contact us

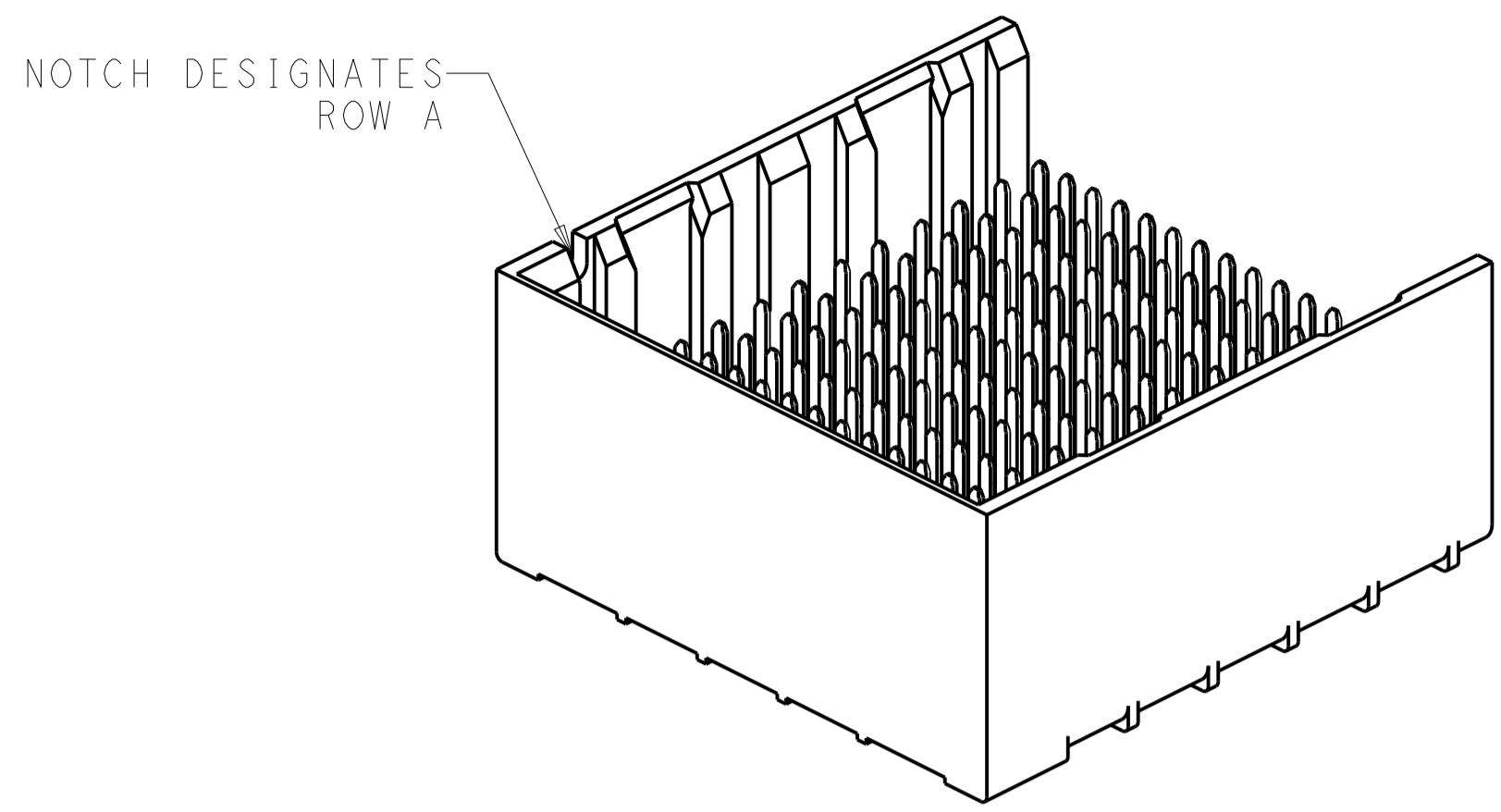
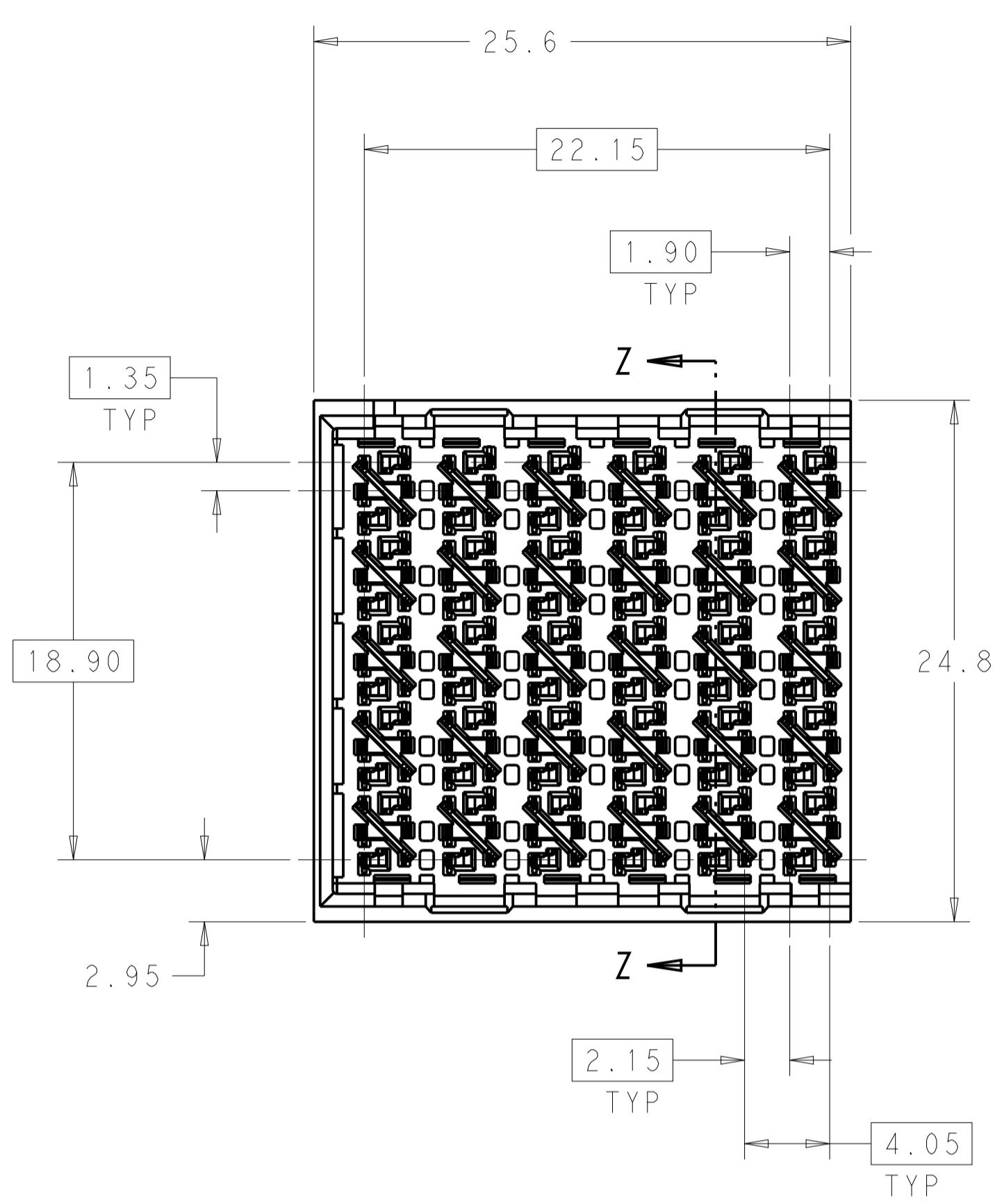
Tel: +86-755-8981 8866 Fax: +86-755-8427 6832

Email & Skype: info@chipsmall.com Web: www.chipsmall.com

Address: A1208, Overseas Decoration Building, #122 Zhenhua RD., Futian, Shenzhen, China

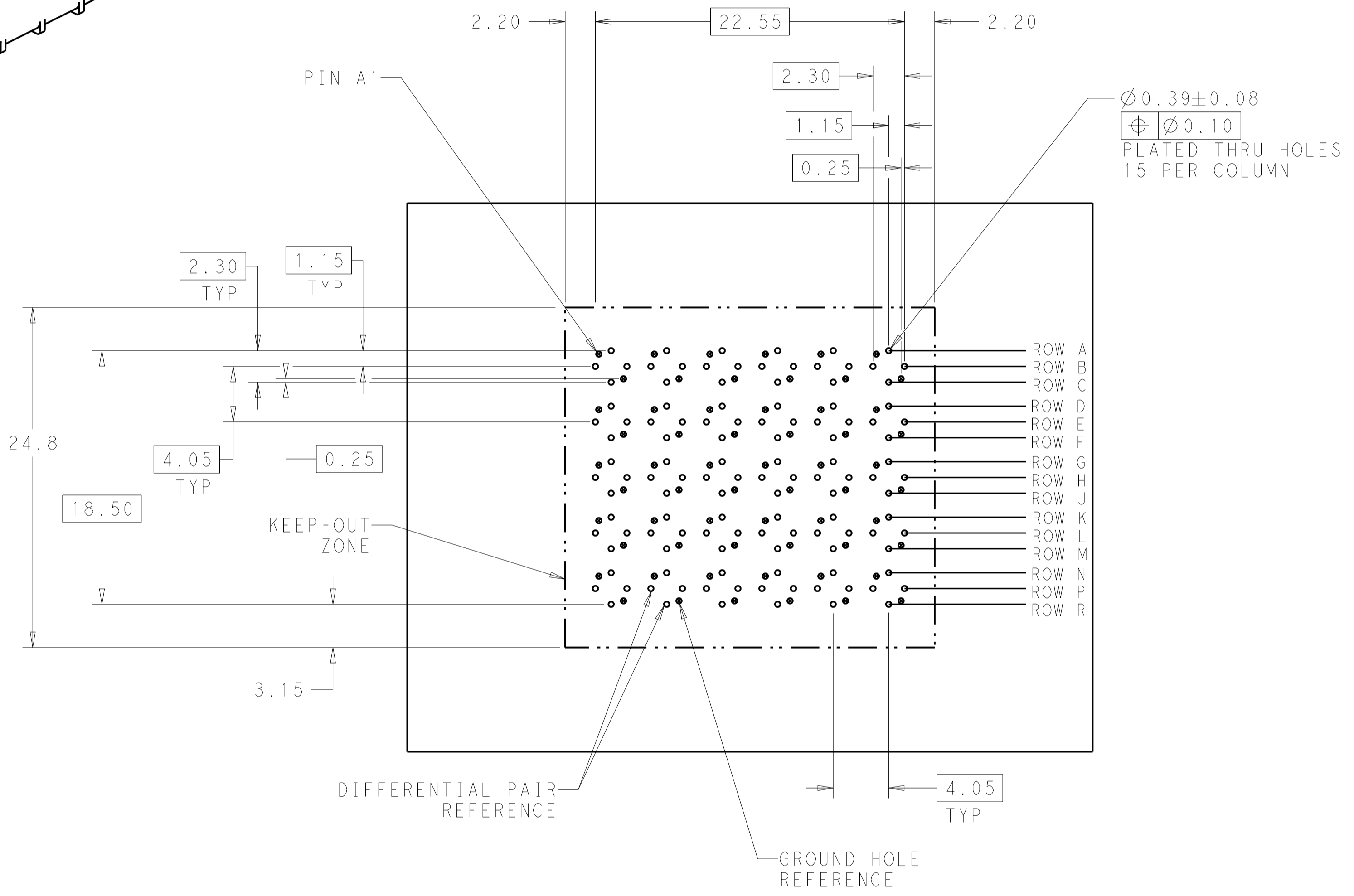


REVISIONS				
P.	LTN.	DESCRIPTION	DATE	APVD.
B		REVISED PER ECO-14-013272	09SEP2014	AP DD

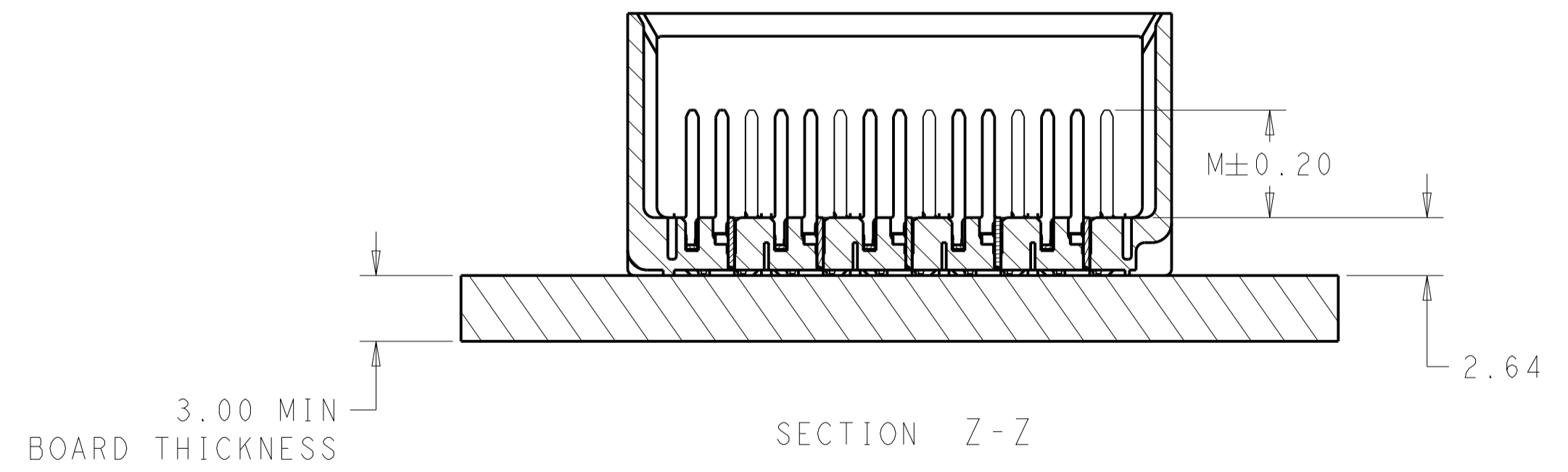
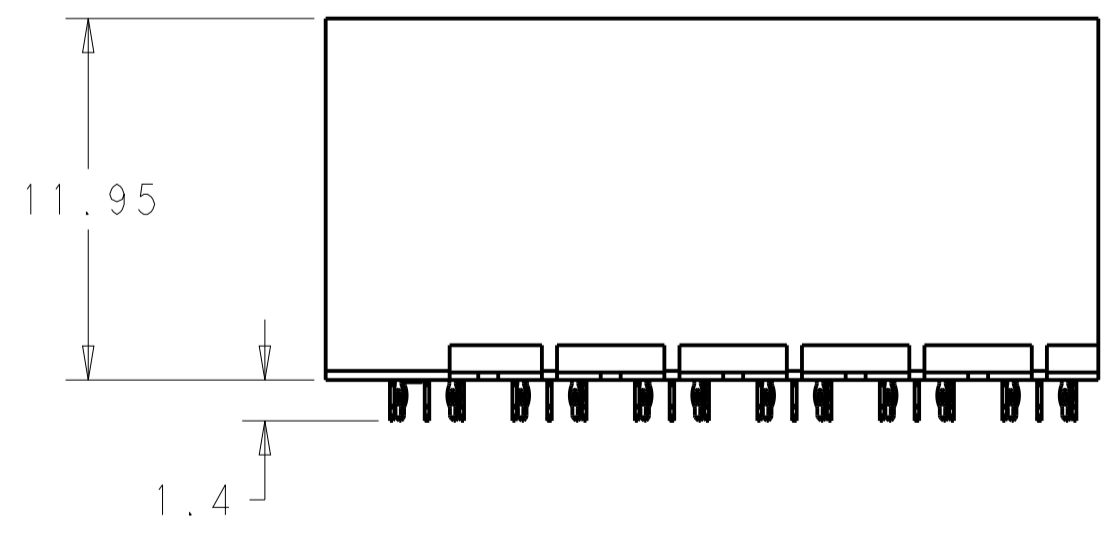


1 MATERIAL:  
HOUSING: LCP GLASS FILLED UL94V-0  
TERMINALS: HIGH PERFORMANCE COPPER ALLOY

2 FINISH:  
30μ" MIN GOLD IN CONTACT AREA  
SELECTIVE TIN ON PCB TAILS.  
NICKEL OVERALL.



LEFT GUIDED  
BACKPLANE HOLE PATTERN  
(CONNECTOR SIDE)  
SCALE 4:1



2	5.5	2143629-2
2	4.9	2143629-1
FINISH	DIM M	PART NUMBER

THIS DRAWING IS A CONTROLLED DOCUMENT.		DWN J. K. SHOBER 18AUG2010	TE Connectivity	
DIMENSIONS: mm		CHK J. EARY 18AUG2010		
TOLERANCES UNLESS OTHERWISE SPECIFIED:		APVD J. EARY 18AUG2010		
0 PLC	±	PRODUCT SPEC	IMPACT, 5 PAIR, 12 COLUMN, UNGUIDED LEFT END WALL ASSEMBLY, ORTHOGONAL, 0.39 PTH	
1 PLC	±0.25	APPLICATION SPEC	SIZE CAGE CODE DRAWING NO RESTRICTED TO	
2 PLC	±0.13	WEIGHT	A100779C=2143629	
3 PLC	±	Customer Drawing	SCALE 4:1 SHEET 1 OF 1 REV B	
4 PLC	±			
ANGLES	±0			
MATERIAL	SEE TABLE			