



Chipsmall Limited consists of a professional team with an average of over 10 year of expertise in the distribution of electronic components. Based in Hongkong, we have already established firm and mutual-benefit business relationships with customers from,Europe,America and south Asia,supplying obsolete and hard-to-find components to meet their specific needs.

With the principle of "Quality Parts,Customers Priority,Honest Operation,and Considerate Service",our business mainly focus on the distribution of electronic components. Line cards we deal with include Microchip,ALPS,ROHM,Xilinx,Pulse,ON,Everlight and Freescale. Main products comprise IC,Modules,Potentiometer,IC Socket,Relay,Connector.Our parts cover such applications as commercial,industrial, and automotives areas.

We are looking forward to setting up business relationship with you and hope to provide you with the best service and solution. Let us make a better world for our industry!



Contact us

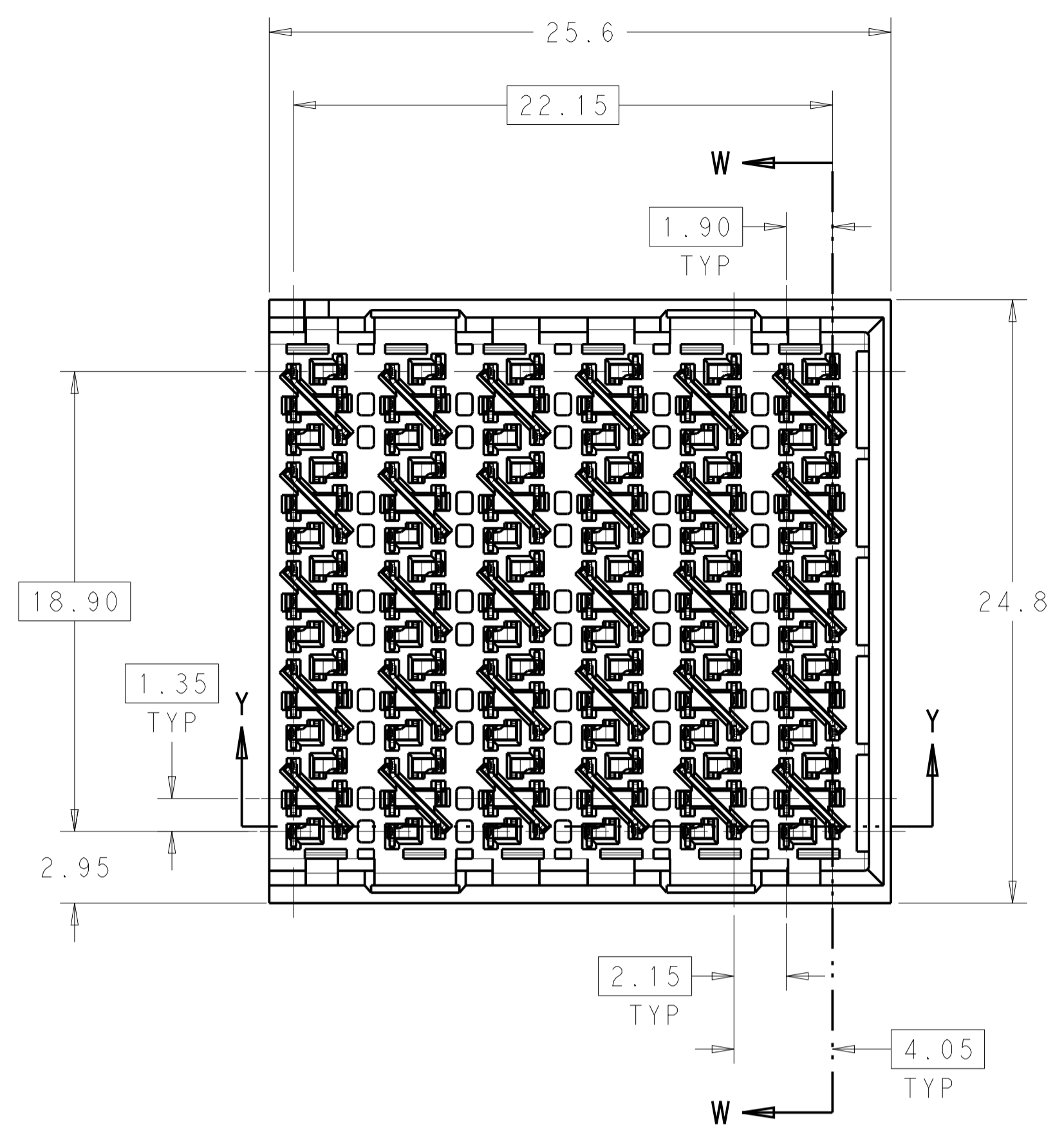
Tel: +86-755-8981 8866 Fax: +86-755-8427 6832

Email & Skype: info@chipsmall.com Web: www.chipsmall.com

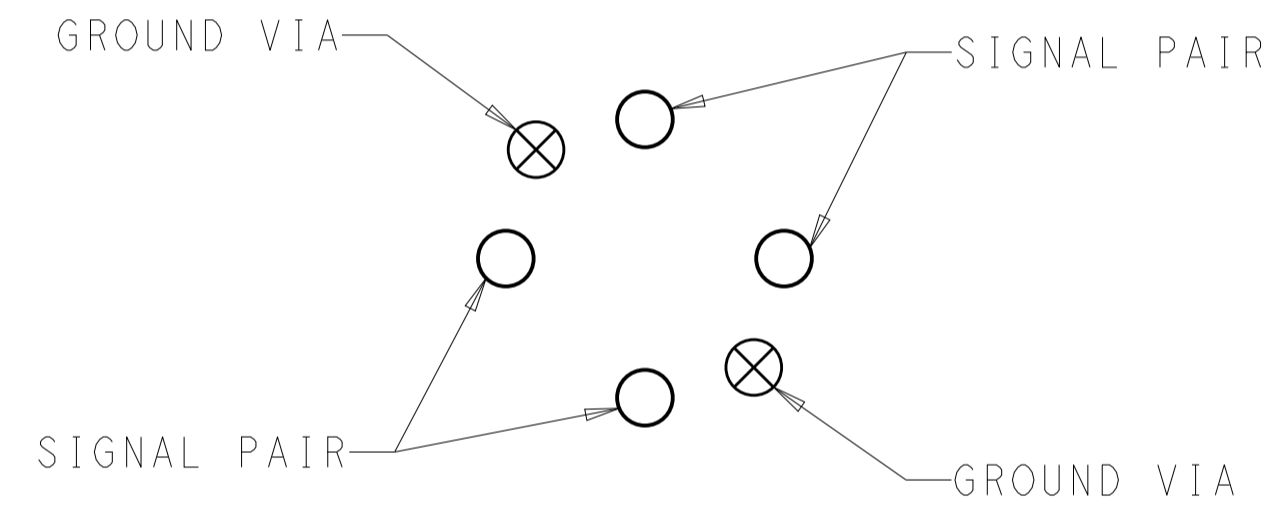
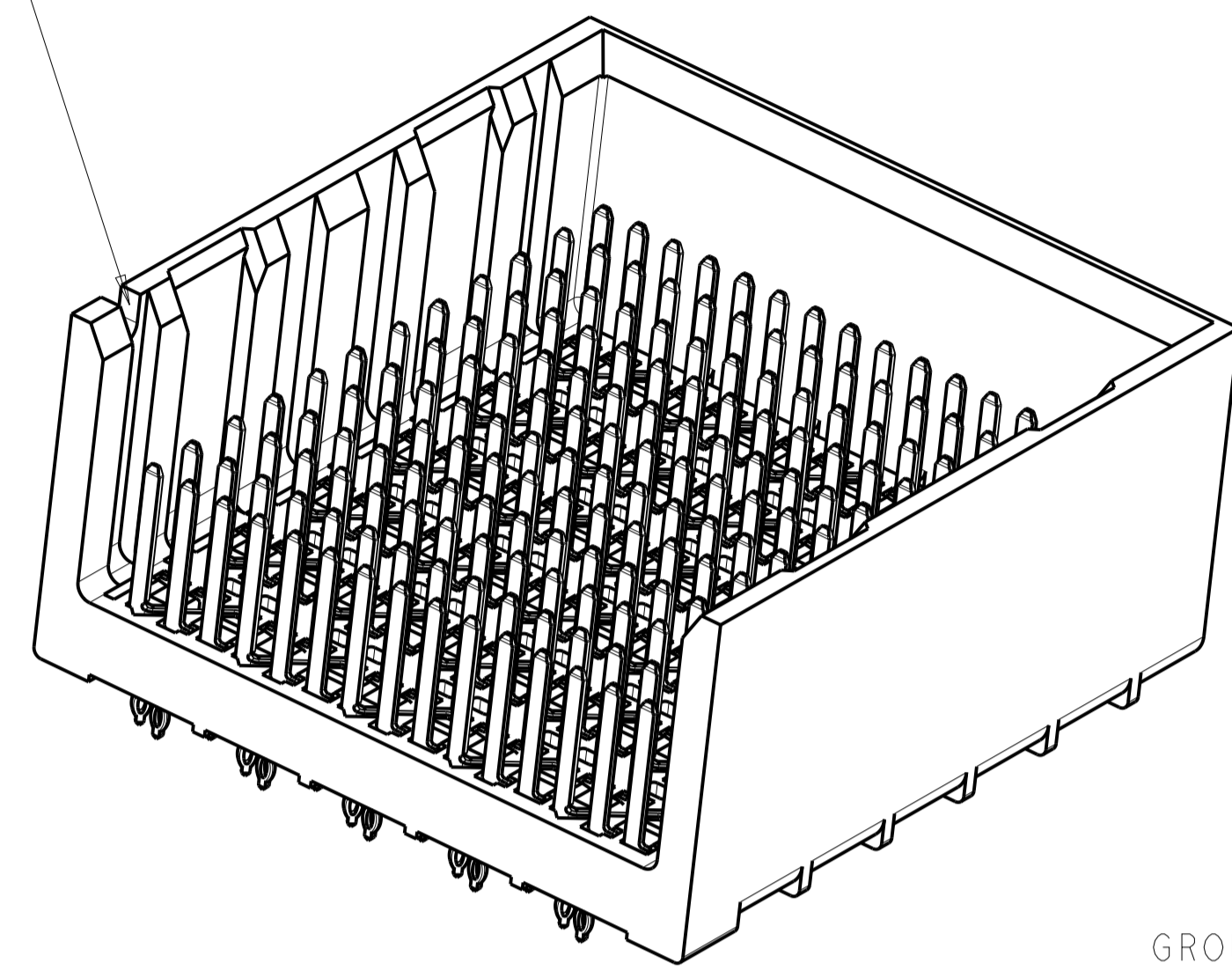
Address: A1208, Overseas Decoration Building, #122 Zhenhua RD., Futian, Shenzhen, China



REVISIONS				
P.	LTN	DESCRIPTION	DATE	APV'D
B		REVISED PER ECO-14-013272	09SEP2014	AP DD

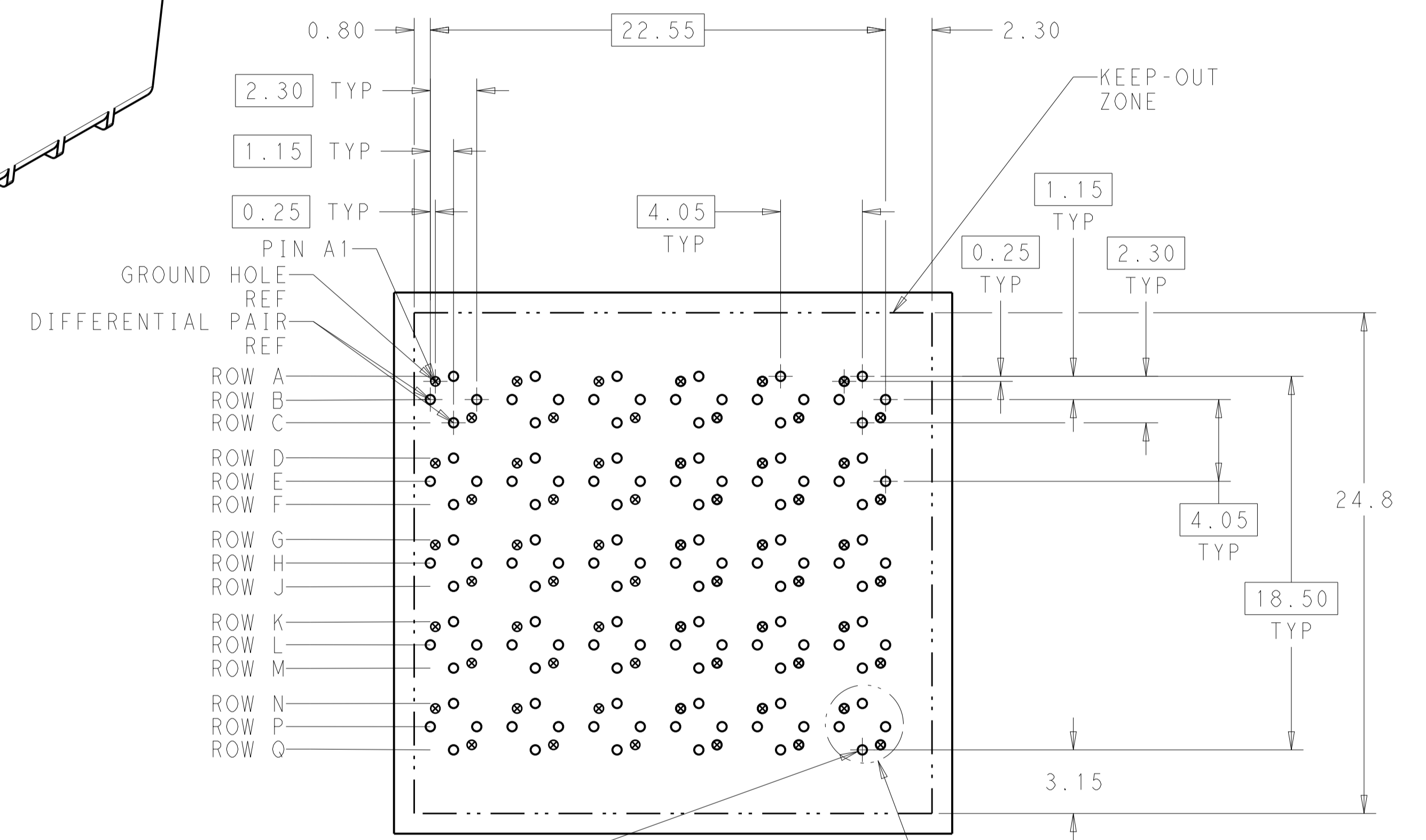


NOTCH DESIGNATES ROW A



DETAIL X
SCALE 16:1

- 1 MATERIAL:
HOUSING: LCP, GLASS FILLED, UL94V-0.
TERMINALS: HIGH PERFORMANCE COPPER ALLOY.
- 2 FINISH:
30µ" MIN GOLD IN CONTACT AREA. SELECTIVE TIN ON PCB TAILS, NICKEL OVERALL.

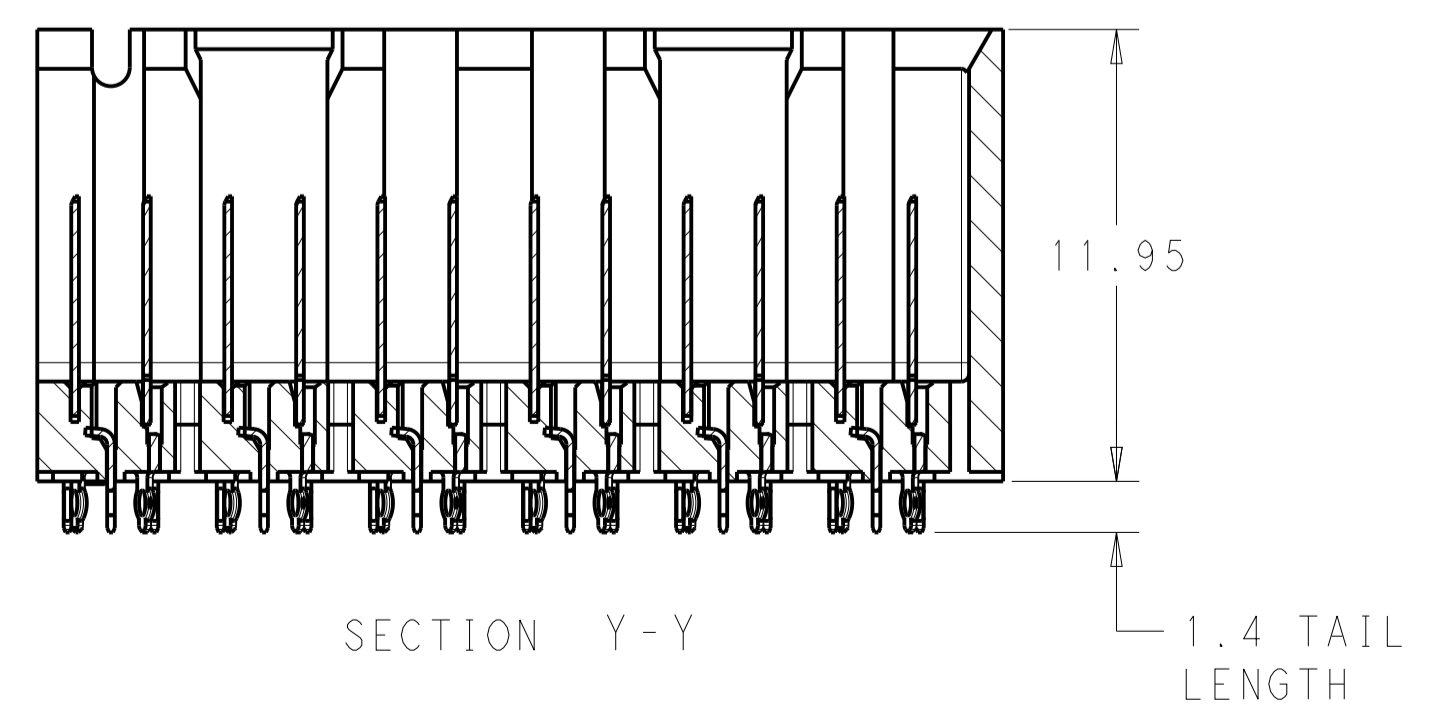


180X $\varnothing 0.46 \pm 0.08$
PLATED THRU HOLE

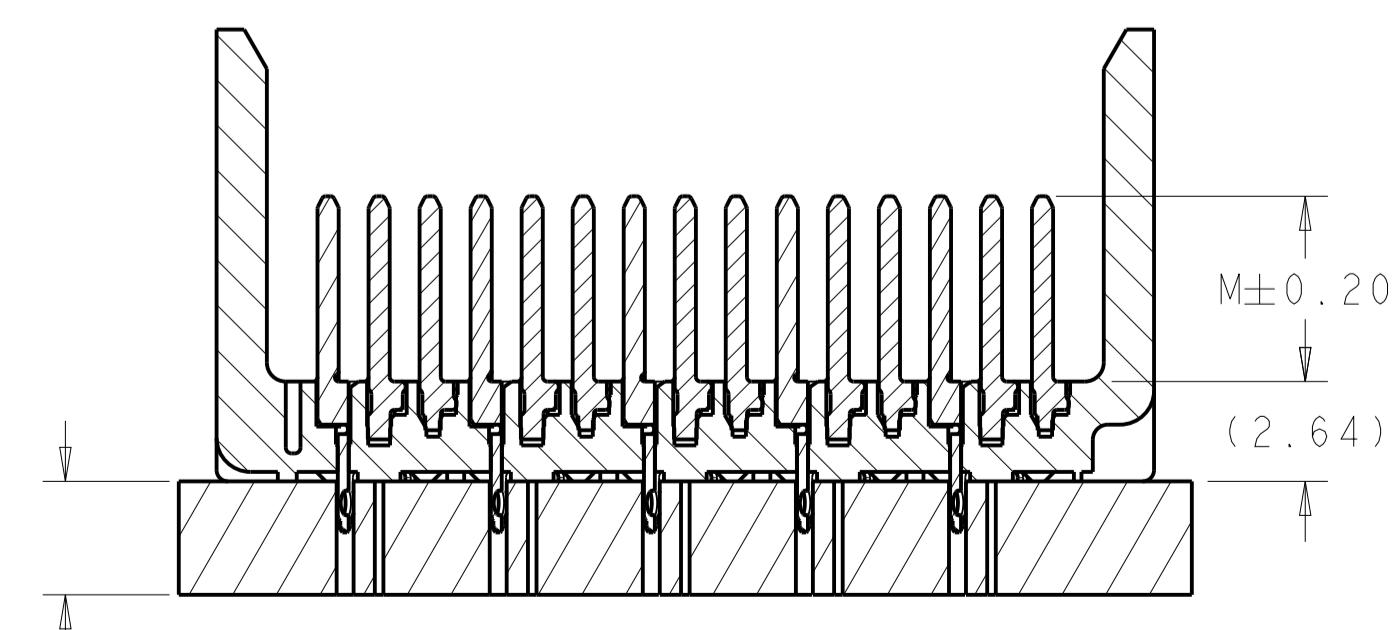
180X $\varnothing 0.55 \pm 0.013$
DRILL HOLE
 $\varnothing 0.10$

UNGUIDED
BACKPLANE HOLE PATTERN
(CONNECTOR SIDE)

REFER TO WWW.TE.COM
FOR PRODUCT AVAILABILITY



SECTION Y-Y



SECTION W-W

3.00
MINIMUM BOARD
THICKNESS

2	5.5	2143632-2
2	4.9	2143632-1
FINISH	DIM M	PART NUMBER

THIS DRAWING IS A CONTROLLED DOCUMENT.		OWN: KIRAN HOLH 01DEC2012	NAME: IMPACT, ORTHOGONAL, 5 PAIR, 12 COLUMN HEADER, UNGUIDED, RIGHT END WALL SIGNAL MODULE, 0.46 PTH
DIMENSIONS: mm		CHK: D. DIXON 01DEC2012	
TOLERANCES UNLESS OTHERWISE SPECIFIED:		APV'D: D. DIXON 01DEC2012	PRODUCT SPEC
0 PLC ±		APPLICATION SPEC	SIZE: CAGE CODE: DRAWING NO: RESTRICTED TO
1 PLC ±0.25		WEIGHT	A100779C=2143632
2 PLC ±0.13		CUSTOMER DRAWING	SCALE: 5:1 SHEET 1 OF 1 REV B
3 PLC ±			
4 PLC ±			
ANGLES ±			
FINISH: SEE TABLE			