



Chipsmall Limited consists of a professional team with an average of over 10 year of expertise in the distribution of electronic components. Based in Hongkong, we have already established firm and mutual-benefit business relationships with customers from,Europe,America and south Asia,supplying obsolete and hard-to-find components to meet their specific needs.

With the principle of “Quality Parts,Customers Priority,Honest Operation,and Considerate Service”,our business mainly focus on the distribution of electronic components. Line cards we deal with include Microchip,ALPS,ROHM,Xilinx,Pulse,ON,Everlight and Freescale. Main products comprise IC,Modules,Potentiometer,IC Socket,Relay,Connector.Our parts cover such applications as commercial,industrial, and automotives areas.

We are looking forward to setting up business relationship with you and hope to provide you with the best service and solution. Let us make a better world for our industry!



Contact us

Tel: +86-755-8981 8866 Fax: +86-755-8427 6832

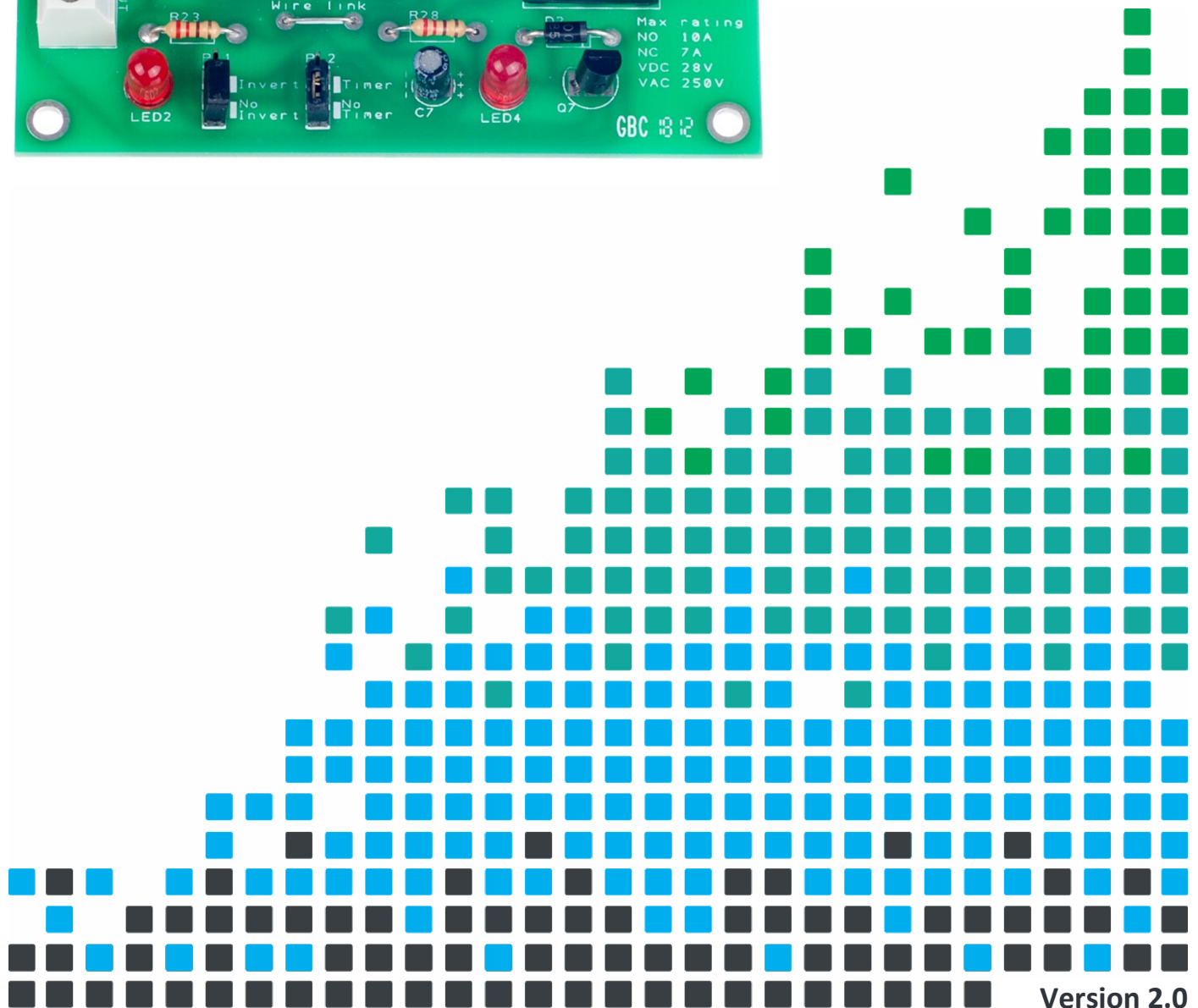
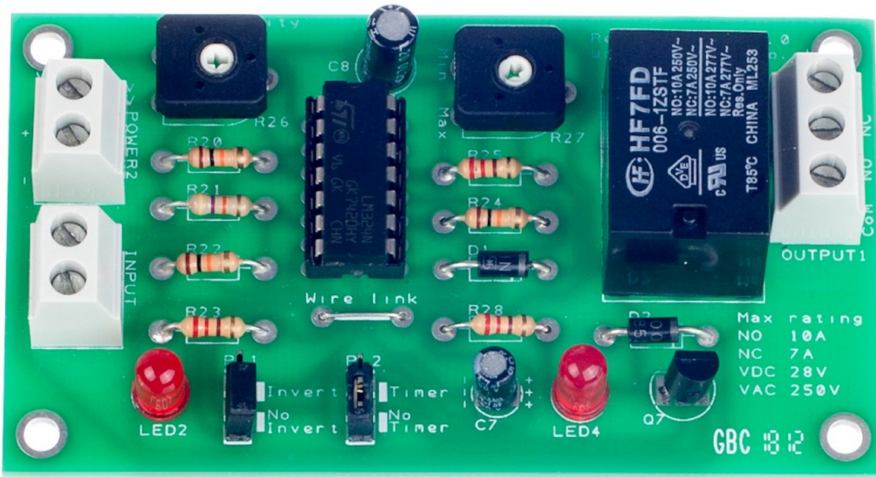
Email & Skype: info@chipsmall.com Web: www.chipsmall.com

Address: A1208, Overseas Decoration Building, #122 Zhenhua RD., Futian, Shenzhen, China



CONTROL YOUR EQUIPMENT WITH THIS

RELAY BOARD KIT



Index of Sheets

TEACHING RESOURCES

- Index of Sheets
- Soldering in Ten Steps
- Resistor Values
- LEDs & Current Limit Resistors
- LEDs Continued
- Capacitor Basics

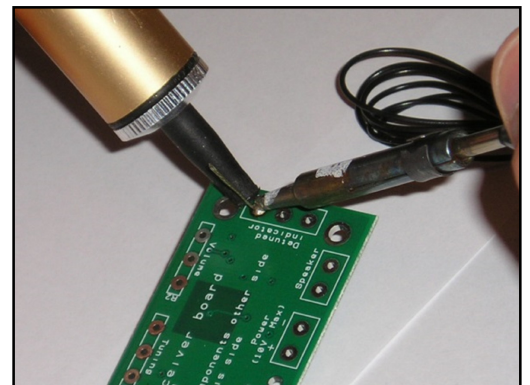
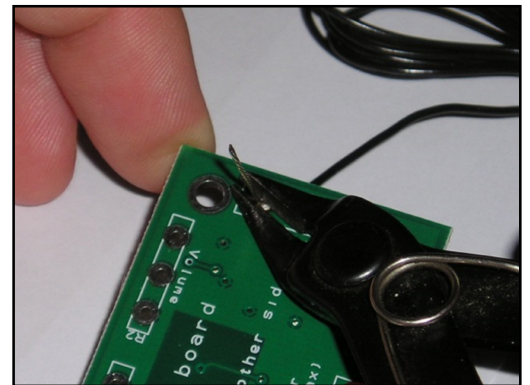
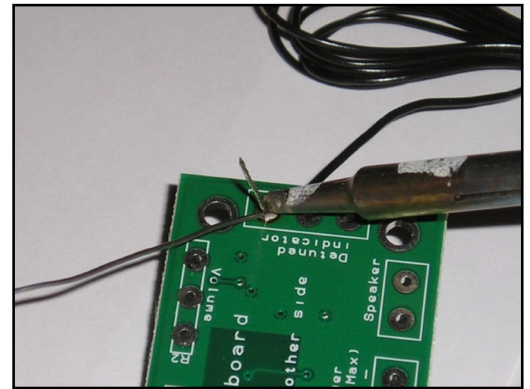
ESSENTIAL INFORMATION

- Features of the Relay board
- Using the relay board
- Mechanical information
- Build Instructions
- Build Instructions continued
- Checking Your Relay Board PCB
- Parts list
- Testing the PCB
- Example applications
- Fault Finding
- Using relays
- How the Relay board works
- Online Information

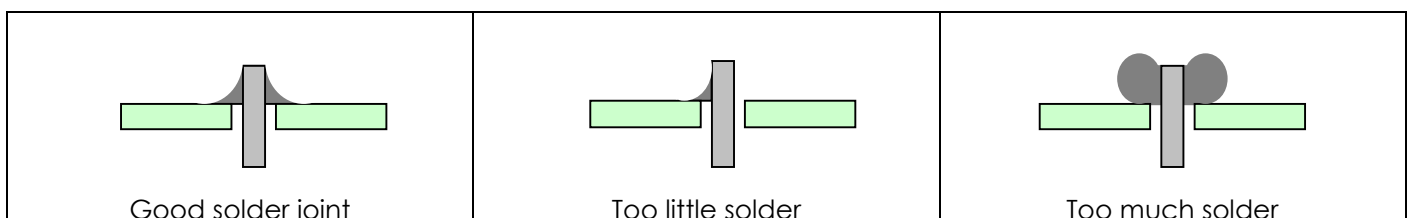


Soldering in Ten Steps

1. Start with the smallest components working up to the taller components, soldering any interconnecting wires last.
2. Place the component into the board, making sure that it goes in the right way around and the part sits flush against the board.
3. Bend the leads slightly to secure the part.
4. Make sure that the soldering iron has warmed up and if necessary, use the damp sponge to clean the tip.
5. Place the soldering iron on the pad.
6. Using your free hand, feed the end of the solder onto the pad (top picture).
7. Remove the solder, then the soldering iron.
8. Leave the joint to cool for a few seconds.
9. Using a pair of cutters, trim the excess component lead (middle picture).
10. If you make a mistake heat up the joint with the soldering iron, whilst the solder is molten, place the tip of your solder extractor by the solder and push the button (bottom picture).



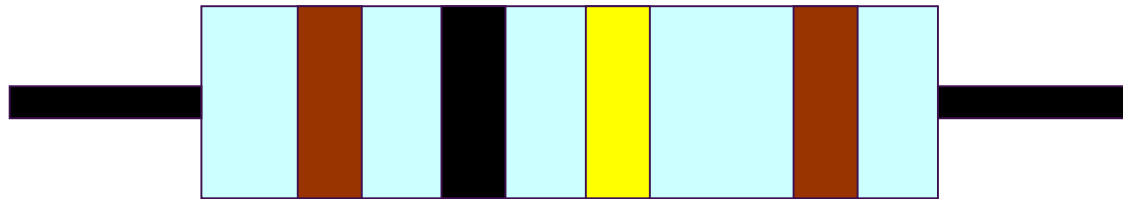
Solder joints



Resistor Values

A resistor is a device that opposes the flow of electrical current. The bigger the value of a resistor, the more it opposes the current flow. The value of a resistor is given in Ω (ohms) and is often referred to as its 'resistance'.

Identifying resistor values



Band Colour	1st Band	2nd Band	Multiplier x	Tolerance
Silver			$\div 100$	10%
Gold			$\div 10$	5%
Black	0	0	1	
Brown	1	1	10	1%
Red	2	2	100	2%
Orange	3	3	1000	
Yellow	4	4	10,000	
Green	5	5	100,000	
Blue	6	6	1,000,000	
Violet	7	7		
Grey	8	8		
White	9	9		

Example: Band 1 = Red, Band 2 = Violet, Band 3 = Orange, Band 4 = Gold

The value of this resistor would be:

$$\begin{aligned}
 &2 \text{ (Red)} \ 7 \text{ (Violet)} \times 1,000 \text{ (Orange)} &&= 27 \times 1,000 \\
 &&&= \mathbf{27,000} \text{ with a 5\% tolerance (gold)} \\
 &&&= \mathbf{27K\Omega}
 \end{aligned}$$

Too many zeros?

Kilo ohms and mega ohms can be used:

$$1,000\Omega = 1K$$

$$1,000K = 1M$$

Resistor identification task

Calculate the resistor values given by the bands shown below. The tolerance band has been ignored.

1st Band	2nd Band	Multiplier x	Value
Brown	Black	Yellow	
Green	Blue	Brown	
Brown	Grey	Yellow	
Orange	White	Black	



Calculating resistor markings

Calculate what the colour bands would be for the following resistor values.

Value	1st Band	2nd Band	Multiplier x
180 Ω			
3,900 Ω			
47,000 (47K) Ω			
1,000,000 (1M) Ω			

What does tolerance mean?

Resistors always have a tolerance but what does this mean? It refers to the accuracy to which it has been manufactured. For example if you were to measure the resistance of a gold tolerance resistor you can guarantee that the value measured will be within 5% of its stated value. Tolerances are important if the accuracy of a resistors value is critical to a design's performance.

Preferred values

There are a number of different ranges of values for resistors. Two of the most popular are the E12 and E24. They take into account the manufacturing tolerance and are chosen such that there is a minimum overlap between the upper possible value of the first value in the series and the lowest possible value of the next. Hence there are fewer values in the 10% tolerance range.

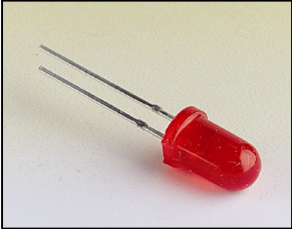
E-12 resistance tolerance ($\pm 10\%$)											
10	12	15	18	22	27	33	39	47	56	68	82

E-24 resistance tolerance ($\pm 5\%$)											
10	11	12	13	15	16	18	20	22	24	27	30
33	36	39	43	47	51	56	62	68	75	82	91



LEDs & Current Limit Resistors

Before we look at LEDs, we first need to start with diodes. Diodes are used to control the direction of flow of electricity. In one direction they allow the current to flow through the diode, in the other direction the current is blocked.



An LED is a special diode. LED stands for Light Emitting Diode. LEDs are like normal diodes, in that they only allow current to flow in one direction, however when the current is flowing the LED lights.

The symbol for an LED is the same as the diode but with the addition of two arrows to show that there is light coming from the diode. As the LED only allows current to flow in one direction, it's important that we can work out which way the electricity will flow. This is indicated by a flat edge on the LED.

For an LED to light properly, the amount of current that flows through it needs to be controlled. To do this we use a current limit resistor. If we didn't use a current limit resistor the LED would be very bright for a short amount of time, before being permanently destroyed.

To work out the best resistor value we need to use Ohms Law. This connects the voltage across a device and the current flowing through it to its resistance.

Ohms Law tells us that the flow of current (I) in a circuit is given by the voltage (V) across the circuit divided by the resistance (R) of the circuit.

$$I = \frac{V}{R}$$

Like diodes, LEDs drop some voltage across them. For a standard red LED this is 1.8 volts.

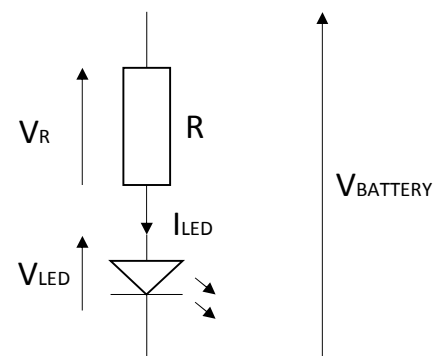
Suppose this LED is run off a 5V supply there must be a total of 5 volts dropped across the LED (V_{LED}) and the resistor (V_R). As the LED manufacturer's datasheet tells us that there is 1.8 volts dropped across the LED, there must be 3.2 volts dropped across the resistor. ($V_{LED} + V_R = 1.8 + 3.2 = 5V$).

LEDs normally need about 10mA to operate at a good brightness. Since we know that the voltage across the current limit resistor is 3.2 volts and we know that the current flowing through it is 0.01 Amps, the resistor can be calculated.

Using Ohms Law in a slightly rearranged format:

$$R = \frac{V}{I} = \frac{3.2}{0.01} = 320\Omega$$

Hence in this circuit we would need a 320 Ω current limit resistor, or the nearest value of 330 Ω .



LEDs Continued

Packages

LEDs are available in many shapes and sizes. The 5mm round LED is the most common. The colour of the plastic lens is often the same as the actual colour of light emitted – but not always with high brightness LEDs.

Advantages of using LEDs over bulbs

Some of the advantages of using an LED over a traditional bulb are:

Power efficiency	LEDs use less power to produce the same amount of light, which means that they are more efficient. This makes them ideal for battery power applications.
Long life	LEDs have a very long life when compared to normal light bulbs. They also fail by gradually dimming over time instead of a sharp burn out.
Low temperature	Due to the higher efficiency of LEDs, they can run much cooler than a bulb.
Hard to break	LEDs are much more resistant to mechanical shock, making them more difficult to break than a bulb.
Small	LEDs can be made very small. This allows them to be used in many applications, which would not be possible with a bulb.
Fast turn on	LEDs can light up faster than normal light bulbs, making them ideal for use in car break lights.

Disadvantages of using LEDs

Some of the disadvantages of using an LED over a traditional bulb are:

Cost	LEDs currently cost more for the same light output than traditional bulbs. However, this needs to be balanced against the lower running cost of LEDs due to their greater efficiency.
Drive circuit	To work in the desired manner, an LED must be supplied with the correct current. This could take the form of a series resistor or a regulated power supply.
Directional	LEDs normally produce a light that is focused in one direction, which is not ideal for some applications.

Typical LED applications

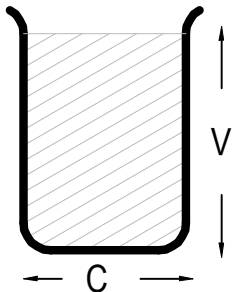
Some applications that use LEDs are:

- Bicycle lights
- Car lights (break and headlights)
- Traffic lights
- Indicator lights on consumer electronics
- Torches
- Backlights on flat screen TVs and displays
- Road signs
- Information displays
- Household lights
- Clocks



Capacitor Basics

What is a capacitor?

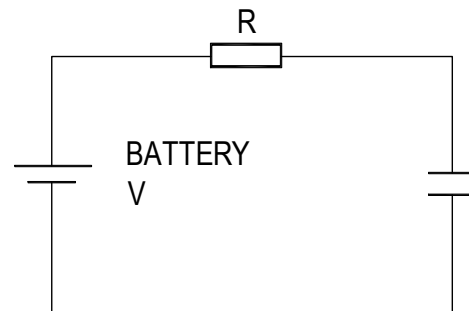
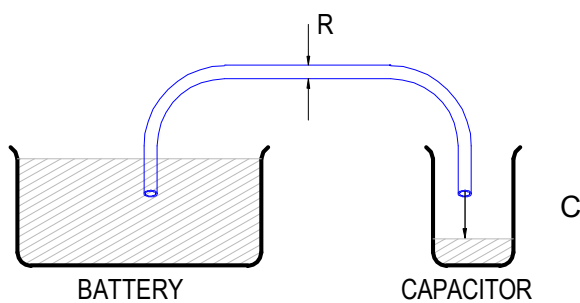


A capacitor is a component that can store electrical charge (electricity). In many ways, it is like a rechargeable battery.

A good way to imagine a capacitor is as a bucket, where the size of the base of the bucket is equivalent to the capacitance (C) of the capacitor and the height of the bucket is equal to its voltage rating (V).

The amount that the bucket can hold is equal to the size of its base multiplied by its height, as shown by the shaded area.

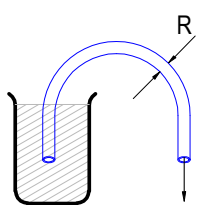
Filling a capacitor with charge



When a capacitor is connected to an item such as a battery, charge will flow from the battery into it. Therefore the capacitor will begin to fill up. The flow of water in the picture above left is the equivalent of how the electrical charge will flow in the circuit shown on the right.

The speed at which any given capacitor will fill depends on the resistance (R) through which the charge will have to flow to get to the capacitor. You can imagine this resistance as the size of the pipe through which the charge has to flow. The larger the resistance, the smaller the pipe and the longer it will take for the capacitor to fill.

Emptying (discharging) a capacitor



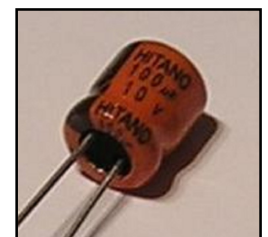
Once a capacitor has been filled with an amount of charge, it will retain this charge until it is connected to something into which this charge can flow.

The speed at which any given capacitor will lose its charge will, like when charging, depend on the resistance (R) of the item to which it is connected. The larger the resistance, the smaller the pipe and the longer it will take for the

capacitor to empty.

Maximum working voltage

Capacitors also have a maximum working voltage that should not be exceeded. This will be printed on the capacitor or can be found in the catalogue the part came from. You can see that the capacitor o



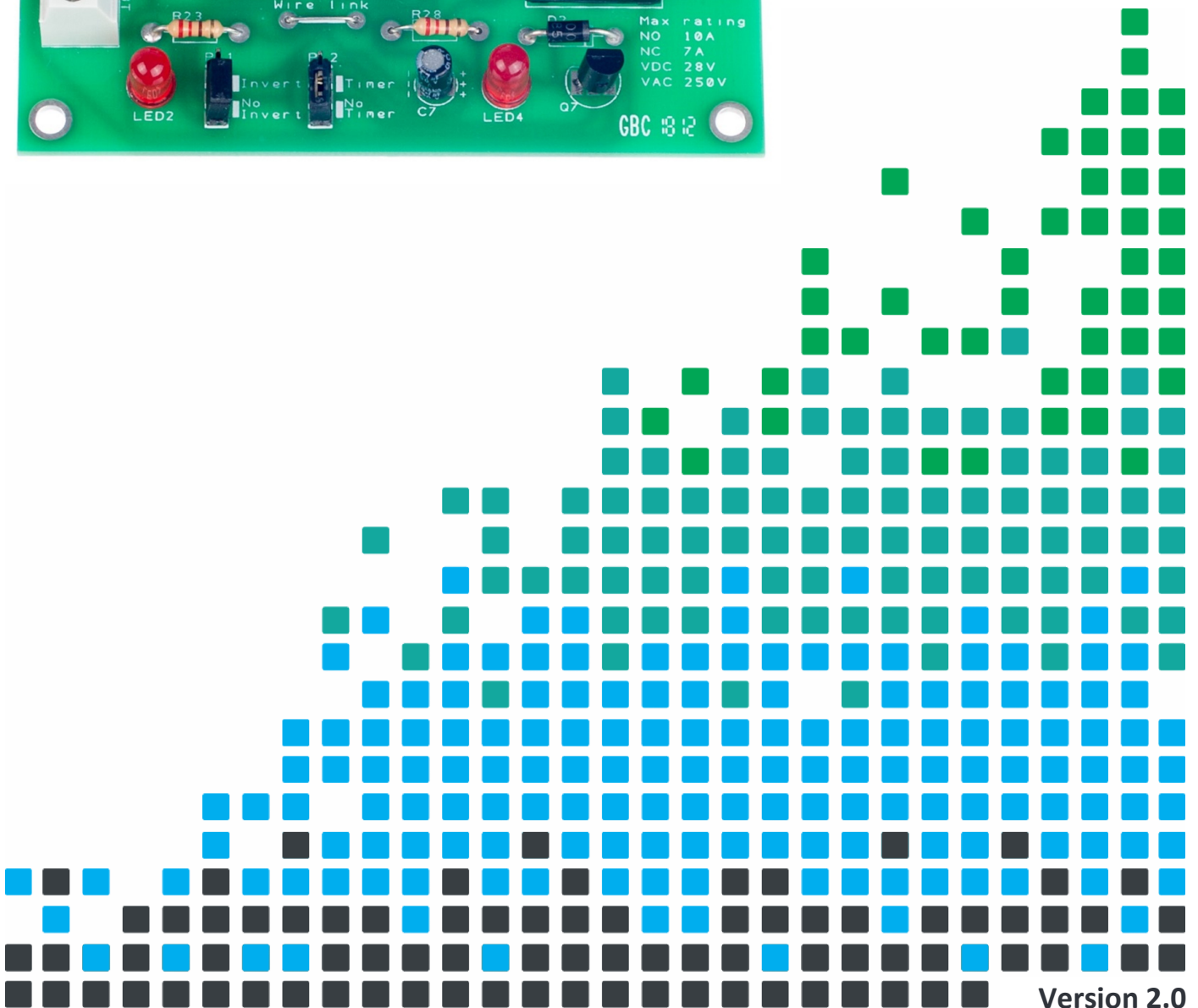
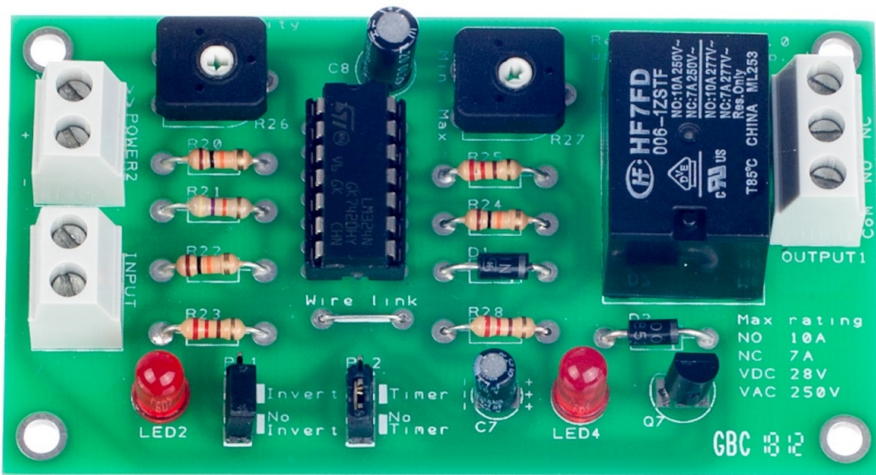


ESSENTIAL INFORMATION

- BUILD INSTRUCTIONS
- CHECKING YOUR PCB & FAULT-FINDING
- MECHANICAL DETAILS
- HOW THE KIT WORKS

CONTROL YOUR EQUIPMENT WITH THIS

RELAY BOARD KIT



Features of the Relay board

Introduction

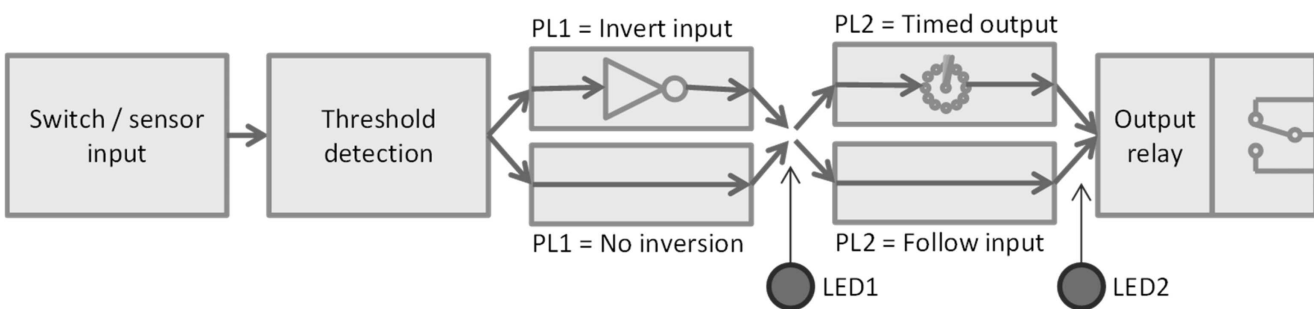
This is a versatile board that can easily be configured via jumpers and trimmer potentiometers to do a range of tasks.

Most sensor and switches can be connected to the input of the board and the trigger level set for the input device. This can be inverted if required, then there is the option to feed this straight to the relay or a timer of up to 25 minutes can be used.

Technical information

Operating voltage:	4.5V - 6.0V
Input type:	Switch / resistive sensor
Max sensor resistance:	100K Ω
Sensor threshold:	Set via trimmer
Input inversion:	Via jumper
Output delay on/ off:	Via jumper
Max delay length:	25 minutes
Delay accuracy:	$\pm 20\%$
Outputs:	NO / NC
Max output VDC:	28 V
Max output VAC:	250 V
Max out current NO:	10A
Max out current NC:	7A
Max propagation delay:	15mS
Max operating current:	90mA

Block diagram



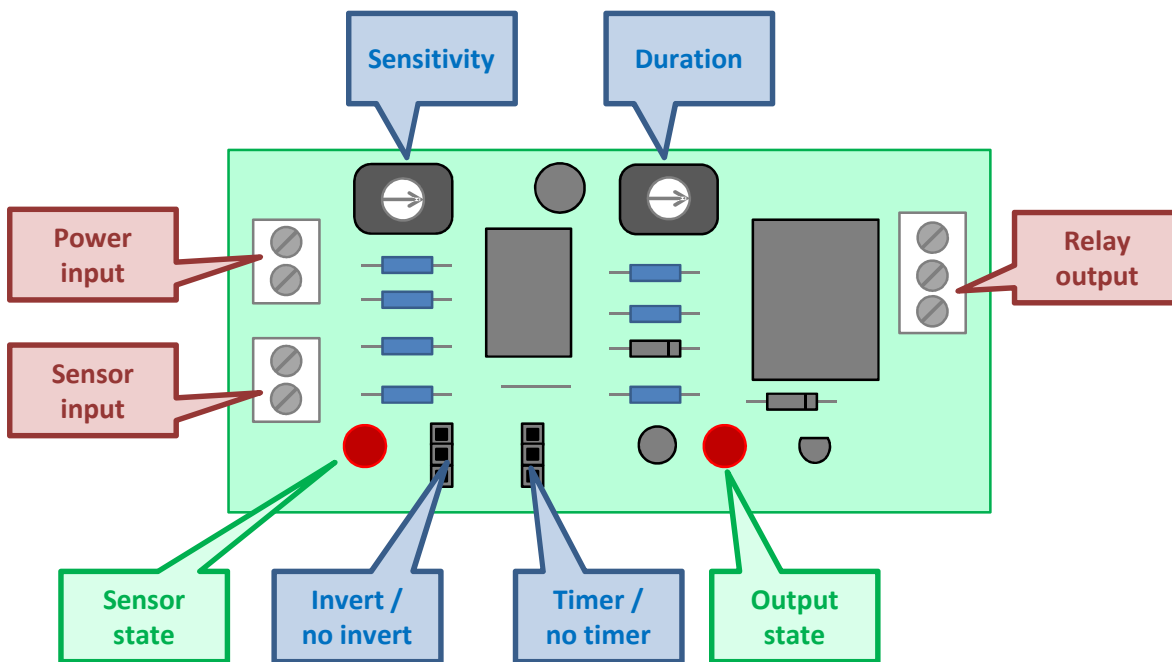
Relay board kit Essentials

www.kitronik.co.uk/2144

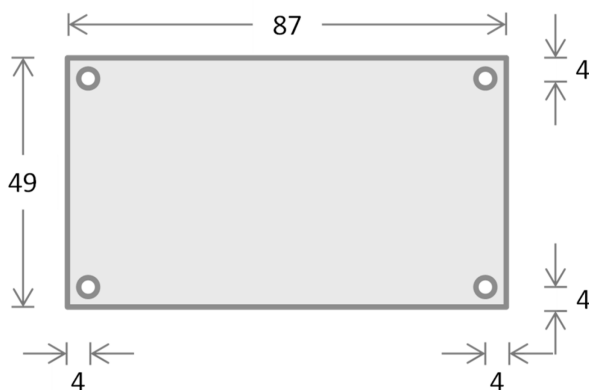


Using the relay board

This board is very easy to set-up. 5V should be connected to the power terminal block and a switch or sensor connected to the input terminal block. The sensitivity and duration of the delay are set by potentiometers R4 and R8 respectively. Whether the input is inverted and whether the output is on for a delayed period or follows the sensor state is determined by jumpers PL1 and PL2 respectively. The relay output has connections for the common signal (Com) as well as NO (Normally Open) and NC (Normally Closed).



Mechanical information



All dimensions in mm.

Max height of board & components is 18.5 mm.



Build Instructions

Before you start, take a look at the Printed Circuit Board (PCB). The components go in the side with the writing on and the solder goes on the side with the tracks and silver pads.

1 PLACE RESISTORS

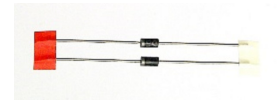
Start with the 7 resistors:
The text on the PCB shows where R1, R2 etc go.
Ensure that you put the resistors in the right place.

PCB Ref	Value	Colour Bands
R1, R3 & R5	10k Ω	Brown, black, orange
R6, R7 & R9	220 Ω	Red, red, brown
R2	47k Ω	Yellow, purple, orange



2 Place the diodes

Solder the two diodes into the board. When putting these into the board, be sure to get them the right way around. The band on the diode must match up with the band on the PCB.
The diodes are marked D1 & D2.



3 Place the wire link

A wire link needs to be added. Take a piece of wire (use a piece from a resistor you have just cut off) and solder it into the board where it is marked wire link.

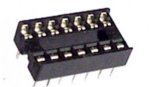
4 Place the variable resistors

Solder the variable resistors into R4 & R8. They will only fit in the holes in the board when they are the correct way around. The two resistors are different values, R4 is a 1M and R8 is 10M, make sure you solder each in the right place.



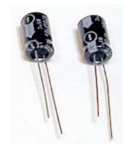
5 Place the IC Holder

Solder the IC holder into IC1. When putting it into the board, be sure to get it the right way around. The notch on the IC holder should line up with the notch on the lines marked on the PCB.



6 Place the Capacitors

Solder the two electrolytic capacitors into C1 & C2. These need to be put in the board the correct way around. The white band on capacitors should line up with the '---' markings on the board. The capacitors are different values, C1 is a 4.7uF and C2 is a 100uF.



Build Instructions continued

7

Place the FET

Place the FET in to the board where it is labelled Q1. Make sure the device is the correct way around. The shape of the device should match the outline on the PCB.



8

Place the LED's

Solder the two Light Emitting Diodes (LEDs) in to LED1 & LED2. The LEDs won't work if they don't go in the correct way around. If you look carefully one side of the LED has a flat edge, which must line up with the flat edge on the lines on the PCB.



9

Place the terminal blocks

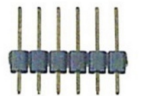
Solder the terminal blocks into the board. The two way terminal blocks are for the 'POWER' and the 'INPUT' connections and the three way terminal block is for the 'OUTPUT'. Make sure the side that the wire goes into is facing the edge of the board.



10

Place the pin headers

The kit is supplied with a 6 way section of pin header. This should be snapped into two sections with three pins. It can then be soldered into PL1 & PL2.



11

Place the relay

Solder the relay into Q2. There is only one way this will go into the board.



12

Place the IC Chip

Now put the LM324 quad op amp chip into the holder labelled IC1 ensuring the notch on the chip lines up with the notch on the holder.



Checking Your Relay Board PCB

Check the following:-

Check the bottom of the board to ensure that:

- All holes (except the 4 large 3 mm holes) are filled with the lead of a component.
- All these leads are soldered.
- Pins next to each other are not soldered together.

Check the top of the board to ensure that:

- The notch on the IC is next to C2.
- R1, R3 & R5 are 10k (Brown, Black, Orange, coloured bands).
- R6, R7 & R9 are 220R (Red, Red, Brown, coloured bands).
- The silver bands on diodes D1 and D2 are matching the markings on the board.
- The two LEDs are in the right way around (the flat edge on the LED matches the markings on the board).
- The white band on the two capacitors match the '---' markings on the board.
- A wire link is present next to the jumper PL2.

Parts list

Ref	Description	Qty
R1,R3 & R5	10K resistor 5%	3
R6,R7 & R9	220R resistor 5%	3
R2	47K resistor 5%	1
R4	1M Pot	1
R8	10M Pot	1
D1-D2	1N4001 diode, 1A	2
LED1 – LED2	LED red 5 mm	2
C2	100uF electrolytic capacitor	1
C1	4.7uF electrolytic capacitor	1
Q1	N Chanel FET (2N7000)	1
POWER, INPUT	2 way terminal block	2
OUTPUT	3 way terminal block	1
IC1	14 pin IC holder	1
IC1	LM324	1
Wire Link	Discarded resistor lead	1
Q2	Relay, HF7FD	1
PL1, PL2	3 way single row PCB header plug	2
PL1, PL2	Closed link jumper	2



Relay board kit Essentials

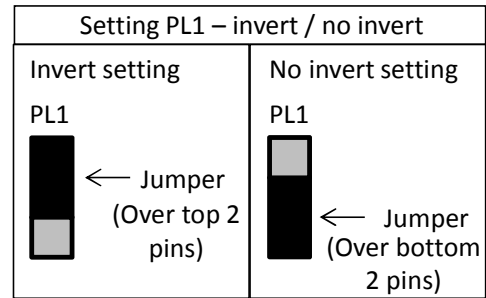
www.kitronik.co.uk/2144



Testing the PCB

To test the board:

- Place a jumper on PL1 to set No invert.
- Place a jumper on PL2 to set No timer.
- Connect a sensor or a switch to the 'INPUT' connection.
- Connect 5V (3x AA batteries or a power supply to the 'POWER' connection. Red to '+' and black to '-'.
- If necessary adjust the sensitivity trimmer potentiometer.



When the sensor is triggered both LEDs should change state and the relay should click.

- Now set PL1 to Invert.

The LEDs should be the opposite way around to before.

- Set PL2 to timer.
- Turn the duration trimmer fully anti-clockwise and then bring it back clockwise a fraction.

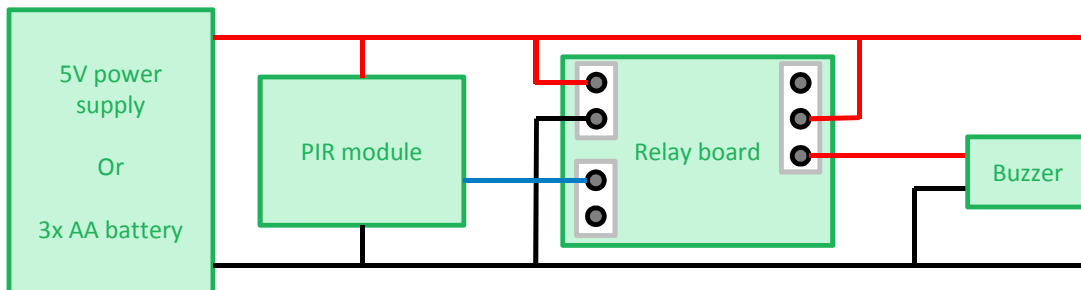
When LED1 turns on this time LED2 should go on for a short time.

If there is a problem with the board this can be diagnosed with the fault finding flow chart on the next page.

Example applications

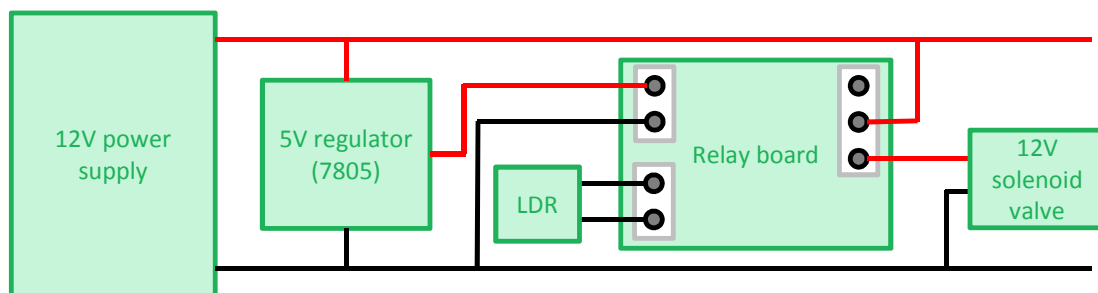
PIR triggered sounder

Suppose you want to detect if someone has walked into a space and audibly sound this elsewhere. Then you could use a PIR module, the relay board and a sounder to do this. The connections would be as follows:



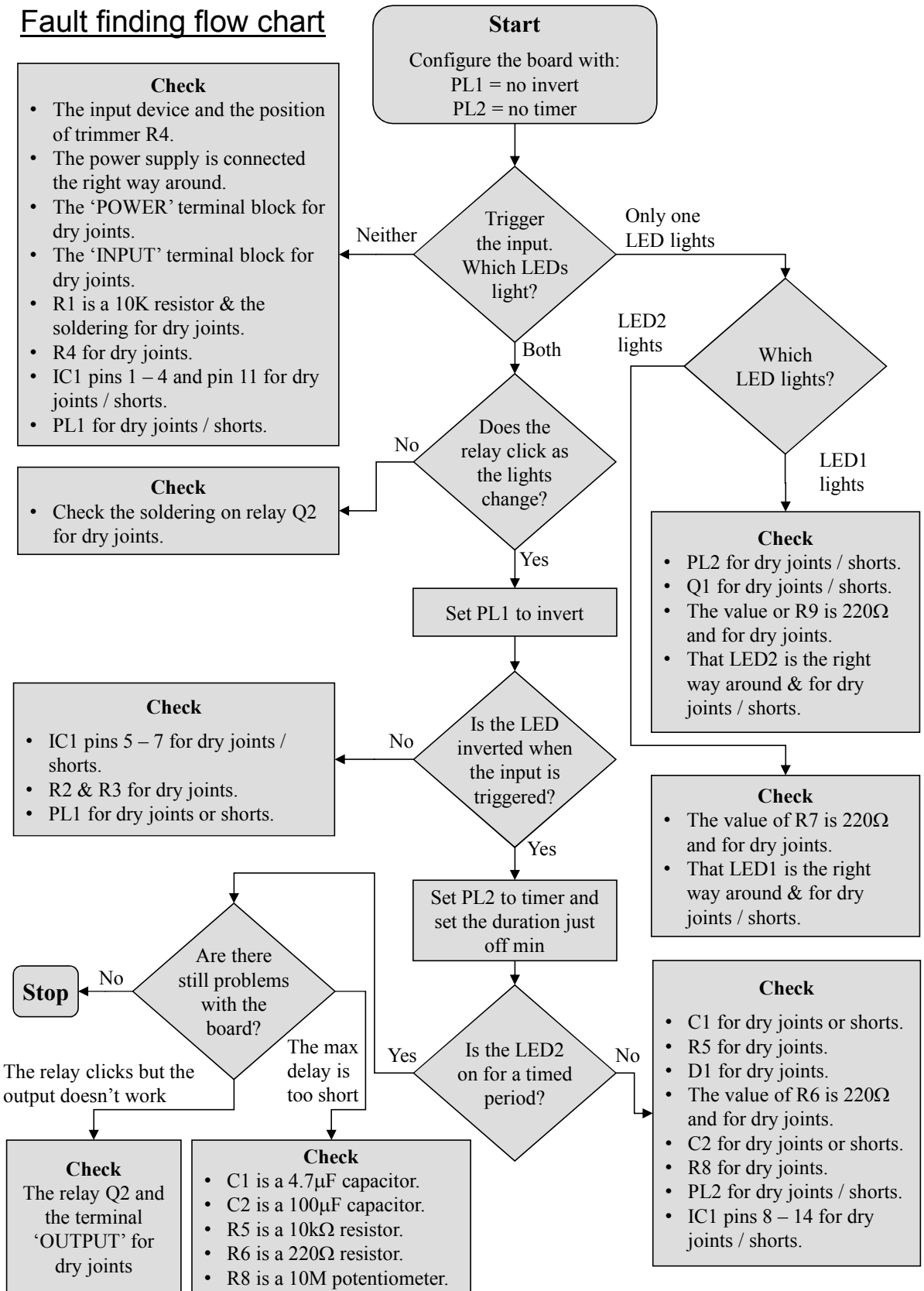
Example application – Automatic green house plant watering system

Since you don't want to water a green house in the heat of the day, why not automatically do it from a water butt at dusk for a set duration. To do this the relay board would be used as follows:



Fault Finding

Fault finding flow chart

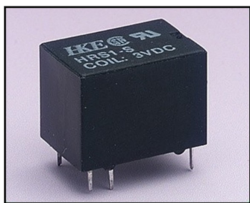


Using relays

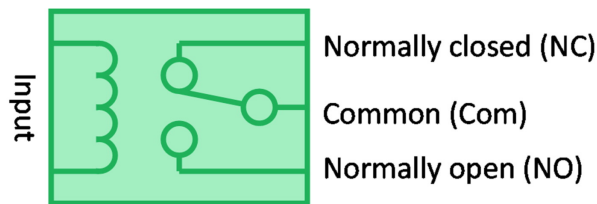
Introduction

A relay is a switch that is operated by passing a small amount of current through the coil. When this happens a magnetic field is set up which causes a small strip of metal to move and the switch on the output closes. When the current is turned off to the coil a spring pulls the metal strip open and the switch opens. Typically the coil will take hundreds of mA, whilst the output will switch Amps. Thus the relay allows a small current to drive a bigger current.

The part & circuit symbol



A relay



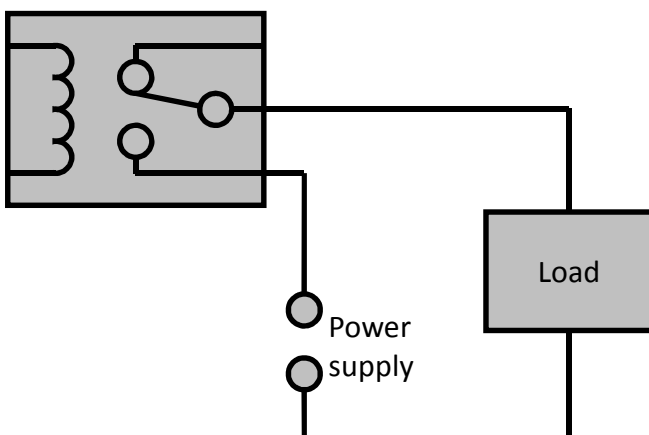
Circuit diagram representation

Connections on a relay

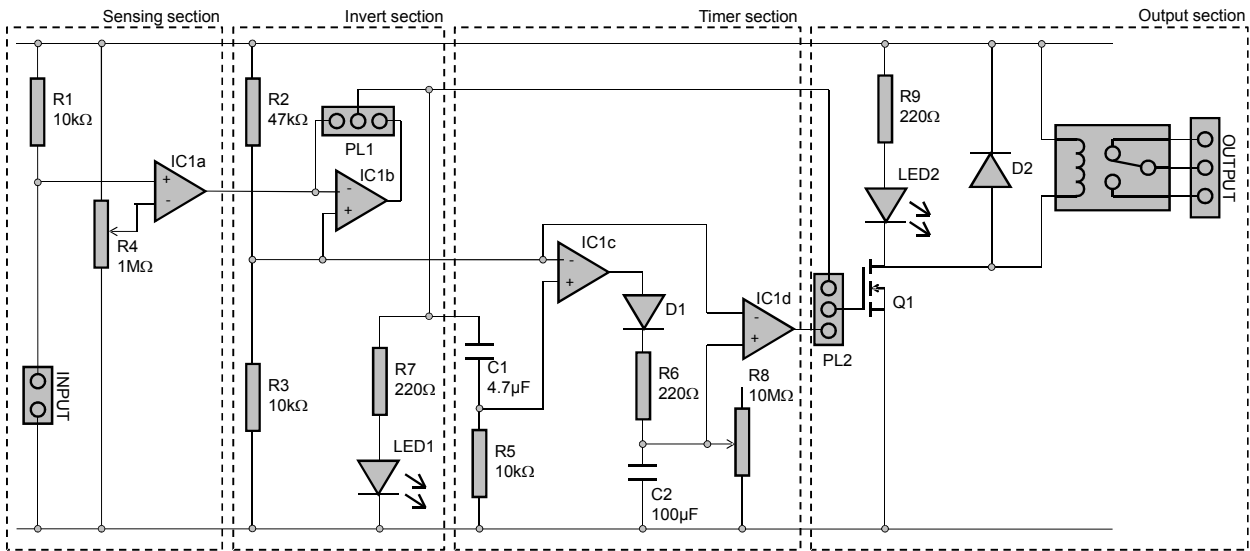
Relays often have three connections on the output switch (as shown above), but can have more or less connections. The Common (Com) connection is connected to the Normally Closed (NC) connection until current is passed through the coil, when the common connects to Normally Open (NO).

In a lot of circuits a device needs to be on when the relay is on, in this case the Com and NO connections are used. Since the relay is a switch a separate circuit including a power source the switch (relay) and a device needs to be connected. This circuit can of course use the same power as the circuit that powers the relay input or can use a higher voltage.

Example circuit



How the Relay board works



Sensing section - The input device on this circuit, plus the resistor R1 make up a potential divider. As the resistance on the input changes the voltage at the centre point of the potential divider will change. This voltage goes in to the non-inverting input of 'op amp a' on IC1 and is compared to the voltage on the inverting input, which is set by the trimmer potentiometer R4. When the sensor input is bigger than the pre-set input the output of the gate will be high, otherwise it will be low.

Invert section - If a jumper is placed on the left two pins of PL1 then the output from op amp a goes straight to the timer section of the circuit. However if the jumper is placed on the right two pins of PL1 then the output of 'op amp b' is fed through to the timer section. In the second case the signal is inverted, this happens because the non-inverting input on 'op amp b' is held in a known state at about 1V and the output from the sensing op amp goes into the inverting input. This means that if the sensor input is high and greater than 1V the output will be low and if the sensor input is low the output will be high. LED1 shows the state of the sensing section, including the signal being inverted if that option has been selected. The resistor R7 is present to limit the current in to the LED.

Timer section - As the output of the sensing section goes high the capacitor C1 charges through resistor R5. Since C1 is a 4.7μF and R5 is a 10K the timing period on the RC network to charge the capacitor to 2/3 of full capacity is 47mS. Initially C1 has no voltage on it and the non-inverting input of 'op amp c' is high. As the capacitor charges the voltage on the op amp input drops. The inverting input is set at a fixed level of about 1V and when the capacitor gets to within 1V of full charge the two inputs will be the same. At this point in time the output of 'op amp c' goes from a high state to a low state. Because the comparison of charging the capacitor is to 5/6 of full charge (ratio of R2 / R3) rather than 2/3 of full charge the output of IC1 'op amp c' will be longer than 47mS and closer to 100mS.

For the 100mS the output of 'op amp c' is in a high state there is current flowing through the diode D1, resistor R6 and into the capacitor C2. At the end of the period the diode stops the capacitor being discharge when the 'op amp c' output returns to a low state. The time constant of R6 & C2 (22mS) is much smaller than R5 & C1 so C2 should be close to being fully charged (except the voltage drop over the diode). At the end of the 100mS the capacitor C2 is more slowly discharged through the variable resistor R8. In this phase the capacitor starts with voltage on it and this drops down towards zero. The output of 'op amp d' will be on until the voltage on the capacitor reaches about 1V (as set by R2 / R3 and previously mentioned).

Output section - The jumper PL2 gives the option of feeding the input from the sensing section of the circuit into the output section and bypassing the timer or to feed the timer to the output section. Whichever signal is used if it is in a high state the FET Q1 is turned on and LED2 is illuminated and the relay coil is powered changing the state of the relay. The diode D2 is present to get rid of any unwanted spikes when the relay turns off.



Online Information

Two sets of information can be downloaded from the product page where the kit can also be reordered from. The 'Essential Information' contains all of the information that you need to get started with the kit and the 'Teaching Resources' contains more information on soldering, components used in the kit, educational schemes of work and so on and also includes the essentials. Download from:

www.kitronik.co.uk/2144



This kit is designed and manufactured in the UK by Kitronik

Telephone: +44 (0) 845 8380781

Sales email: sales@kitronik.co.uk

Tech support email: support@kitronik.co.uk

Web: www.kitronik.co.uk



www.kitronik.co.uk/twitter



www.kitronik.co.uk/facebook



www.kitronik.co.uk/youtube



www.kitronik.co.uk/google

Every effort has been made to ensure that these notes are correct, however Kitronik accept no responsibility for issues arising from errors / omissions in the notes.

© Kitronik Ltd - Any unauthorised copying / duplication of this booklet or part thereof for purposes except for use with Kitronik project kits is not allowed without Kitronik's prior consent.

