



Chipsmall Limited consists of a professional team with an average of over 10 year of expertise in the distribution of electronic components. Based in Hongkong, we have already established firm and mutual-benefit business relationships with customers from,Europe,America and south Asia,supplying obsolete and hard-to-find components to meet their specific needs.

With the principle of "Quality Parts,Customers Priority,Honest Operation,and Considerate Service",our business mainly focus on the distribution of electronic components. Line cards we deal with include Microchip,ALPS,ROHM,Xilinx,Pulse,ON,Everlight and Freescale. Main products comprise IC,Modules,Potentiometer,IC Socket,Relay,Connector.Our parts cover such applications as commercial,industrial, and automotives areas.

We are looking forward to setting up business relationship with you and hope to provide you with the best service and solution. Let us make a better world for our industry!



Contact us

Tel: +86-755-8981 8866 Fax: +86-755-8427 6832

Email & Skype: info@chipsmall.com Web: www.chipsmall.com

Address: A1208, Overseas Decoration Building, #122 Zhenhua RD., Futian, Shenzhen, China



4

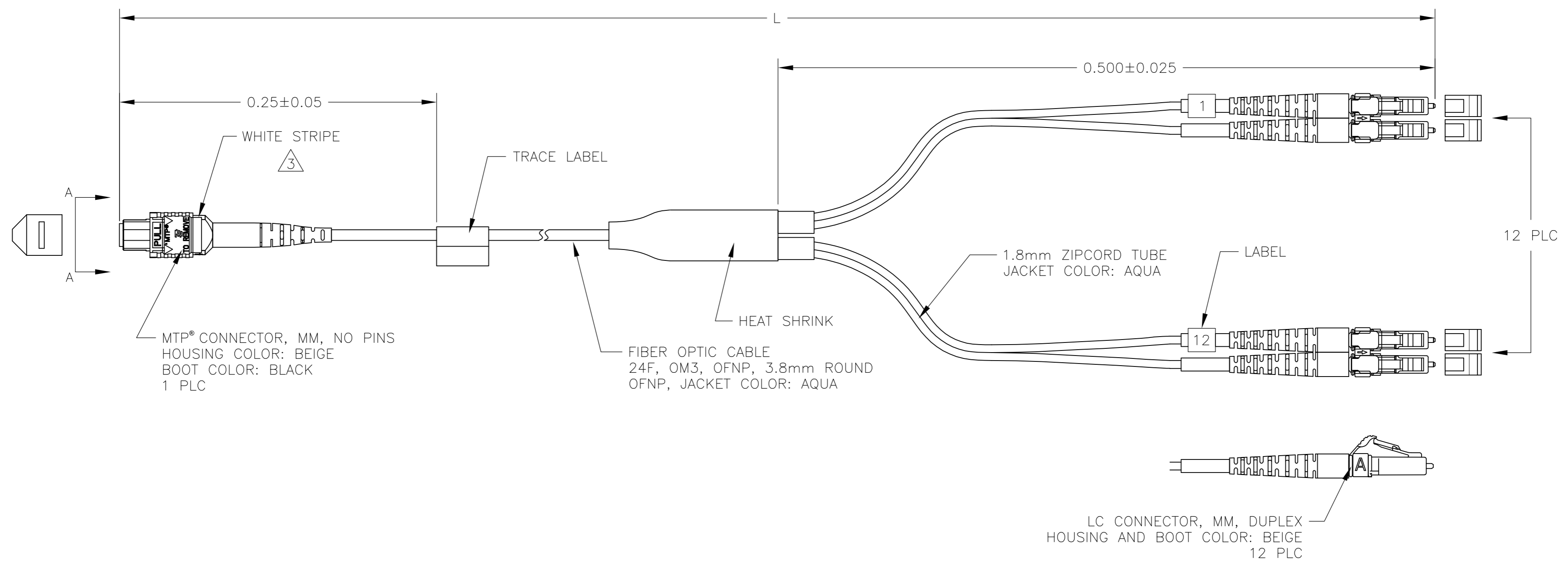
3

2

1

THIS DRAWING IS UNPUBLISHED. RELEASED FOR PUBLICATION
 © COPYRIGHT - By - ALL RIGHTS RESERVED.

LOC	DIST	REVISIONS			
P	LTR	DESCRIPTION	DATE	DWN	APVD
HG	17				
	G	ECR-14-011637	15AUG2014	HZ	RZ



MTP® CONNECTOR, MM, NO PINS
 HOUSING COLOR: BEIGE
 BOOT COLOR: BLACK
 1 PLC

FIBER OPTIC CABLE
 24F, OM3, OFNP, 3.8mm ROUND
 OFNP, JACKET COLOR: AQUA

1.8mm ZIPCORDER TUBE
 JACKET COLOR: AQUA

LC CONNECTOR, MM, DUPLEX
 HOUSING AND BOOT COLOR: BEIGE
 12 PLC

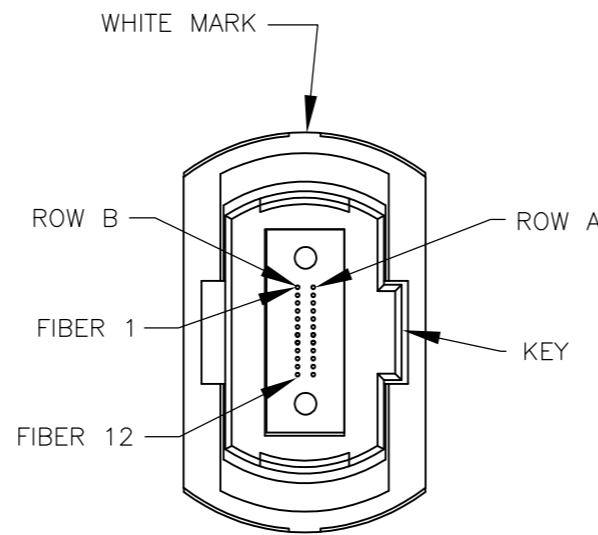
2148041

THIS DRAWING IS A CONTROLLED DOCUMENT.		DWN ZHANG JINQIANG 30AUG2011	STE TE Connectivity	
		CHK PHILIP LIU 30AUG2011		
DIMENSIONS: METERS		APVD RICHARD ZHAO 30AUG2011	NAME CABLE ASSEMBLY, FIBER OPTIC, OM3 CXP BREAKOUT, OFNP, 24F, 3.8mm ROUND CABLE MTP® NO PINS TO 12 LC DUPLEX	
TOLERANCES UNLESS OTHERWISE SPECIFIED:		PRODUCT SPEC	RESTRICTED TO	
0 PLC ± -		APPLICATION SPEC	SIZE A2	CAGE CODE 00779
1 PLC ± -			DRAWING NO 2148041	
2 PLC ± -			SCALE NTS	
3 PLC ± -			SHEET 1 OF 2	
4 PLC ± -			REV G	
ANGLES ± -		WEIGHT		
FINISH		CUSTOMER DRAWING		

THIS DRAWING IS UNPUBLISHED. RELEASED FOR PUBLICATION
 © COPYRIGHT - By - ALL RIGHTS RESERVED.

LOC	DIST	REVISIONS					
		P	LTR	DESCRIPTION	DATE	DWN	APVD
HG	17	-	-	SEE SHEET 1	-	-	-

PART NUMBER	L		MTP® MAX IL (dB) Δ ₁	LC MAX IL (dB) Δ ₁
	MAX	MIN		
2148041-1	1.050	0.950	1.00	0.30
2148041-2	2.050	1.950	1.01	0.31
2148041-3	3.050	2.950	1.01	0.31
2148041-4	4.080	3.920	1.01	0.31
2148041-5	5.080	4.920	1.02	0.32
2148041-6	6.080	5.920	1.02	0.32
2148041-7	7.080	6.920	1.02	0.32
2148041-8	8.080	7.920	1.03	0.33
2148041-9	9.150	8.850	1.03	0.33
1-2148041-0	10.150	9.850	1.04	0.34
1-2148041-1	11.150	10.850	1.04	0.34
1-2148041-2	12.150	11.850	1.04	0.34
1-2148041-3	13.150	12.850	1.05	0.35
1-2148041-4	14.150	13.850	1.05	0.35
1-2148041-5	15.150	14.850	1.05	0.35
1-2148041-6	16.160	15.840	1.06	0.36
1-2148041-7	17.170	16.830	1.06	0.36
1-2148041-8	18.180	17.820	1.06	0.36
1-2148041-9	19.190	18.810	1.07	0.37
2-2148041-0	20.200	19.800	1.07	0.37
2-2148041-1	21.210	20.790	1.07	0.37
2-2148041-2	22.220	21.780	1.08	0.38
2-2148041-3	23.230	22.770	1.08	0.38
2-2148041-4	24.240	23.760	1.08	0.38
2-2148041-5	25.250	24.750	1.09	0.39
2-2148041-6	26.260	25.740	1.09	0.39
2-2148041-7	27.270	26.730	1.09	0.39
2-2148041-8	28.280	27.720	1.10	0.40
2-2148041-9	29.290	28.710	1.10	0.40
3-2148041-0	30.300	29.700	1.11	0.41
3-2148041-1	31.310	30.690	1.11	0.41
3-2148041-2	32.320	31.680	1.11	0.41
3-2148041-3	33.330	32.670	1.12	0.42
3-2148041-4	34.340	33.660	1.12	0.42
3-2148041-5	35.350	34.650	1.12	0.42
3-2148041-6	36.360	35.640	1.13	0.43
3-2148041-7	37.370	36.630	1.13	0.43
3-2148041-8	38.380	37.620	1.13	0.43
3-2148041-9	39.390	38.610	1.14	0.44
4-2148041-0	40.400	39.600	1.14	0.44
4-2148041-1	41.410	40.590	1.14	0.44
4-2148041-2	42.420	41.580	1.15	0.45
4-2148041-3	43.430	42.570	1.15	0.45
4-2148041-4	44.440	43.560	1.15	0.45
4-2148041-5	45.450	44.550	1.16	0.46
4-2148041-6	46.460	45.540	1.16	0.46
4-2148041-7	47.470	46.530	1.16	0.46
4-2148041-8	48.480	47.520	1.17	0.47
4-2148041-9	49.490	48.510	1.17	0.47
5-2148041-0	50.500	49.500	1.18	0.48
5-2148041-5	55.550	54.450	1.19	0.49
6-2148041-0	60.600	59.400	1.21	0.51
6-2148041-5	65.650	64.350	1.23	0.53
7-2148041-0	70.700	69.300	1.25	0.55
7-2148041-5	75.750	74.250	1.26	0.56
8-2148041-0	80.800	79.200	1.28	0.58
8-2148041-5	86.000	84.000	1.30	0.60
9-2148041-0	91.350	88.650	1.32	0.62
9-2148041-5	96.425	94.575	1.33	0.63
9-2148041-9	101.500	98.500	1.35	0.65



VIEW A-A
NOT TO SCALE

MTP®A ROW	FIBER	FIBER COLOR	LC DPX
A	1	BLUE	1B
A	2	ORANGE	2B
A	3	GREEN	3B
A	4	BROWN	4B
A	5	SLATE	5B
A	6	WHITE	6B
A	7	RED	7B
A	8	BLACK	8B
A	9	YELLOW	9B
A	10	VIOLET	10B
A	11	ROSE	11B
A	12	AQUA	12B
B	1	BLUE	1A
B	2	ORANGE	2A
B	3	GREEN	3A
B	4	BROWN	4A
B	5	SLATE	5A
B	6	WHITE	6A
B	7	RED	7A
B	8	BLACK	8A
B	9	YELLOW	9A
B	10	VIOLET	10A
B	11	ROSE	11A
B	12	AQUA	12A

MTP® CONNECTOR FIBER PATH

- ① SEE TABLE FOR MTP®&LC IL @ 850nm
- 2. PLACE A COPY OF TEST DATA INSIDE OR WITH THE UNIT PACKAGE.
- ③ WHITE MARK ON CONNECTOR HOUSING INDICATES FIBER 1 SIDE.
- 4. PRODUCT AND PROCESSING MUST MEET REQUIREMENTS OF TE CONNECTIVITY STANDARD TEC-138-702.

THIS DRAWING IS A CONTROLLED DOCUMENT.		DWN 30AUG2011 ZHANG JINQIANG	TE TE Connectivity
DIMENSIONS: METERS		CHK 30AUG2011 PHILIP LIU	
TOLERANCES UNLESS OTHERWISE SPECIFIED:		APVD 30AUG2011 RICHARD ZHAO	NAME CABLE ASSEMBLY, FIBER OPTIC, OM3
0 PLC ± - 1 PLC ± - 2 PLC ± - 3 PLC ± - 4 PLC ± - ANGLES ± -		PRODUCT SPEC	CXP BREAKOUT, OFNP, 24F, 3.8mm ROUND CABLE MTP® NO PINS TO 12 LC DUPLEX
MATERIAL		FINISH	SIZE CAGE CODE DRAWING NO RESTRICTED TO A2 00779 C=2148041 -
		WEIGHT	SCALE SHEET REV CUSTOMER DRAWING NTS 2 OF 2 G