



Chipsmall Limited consists of a professional team with an average of over 10 year of expertise in the distribution of electronic components. Based in Hongkong, we have already established firm and mutual-benefit business relationships with customers from,Europe,America and south Asia,supplying obsolete and hard-to-find components to meet their specific needs.

With the principle of “Quality Parts,Customers Priority,Honest Operation,and Considerate Service”,our business mainly focus on the distribution of electronic components. Line cards we deal with include Microchip,ALPS,ROHM,Xilinx,Pulse,ON,Everlight and Freescale. Main products comprise IC,Modules,Potentiometer,IC Socket,Relay,Connector.Our parts cover such applications as commercial,industrial, and automotives areas.

We are looking forward to setting up business relationship with you and hope to provide you with the best service and solution. Let us make a better world for our industry!



## Contact us

Tel: +86-755-8981 8866 Fax: +86-755-8427 6832

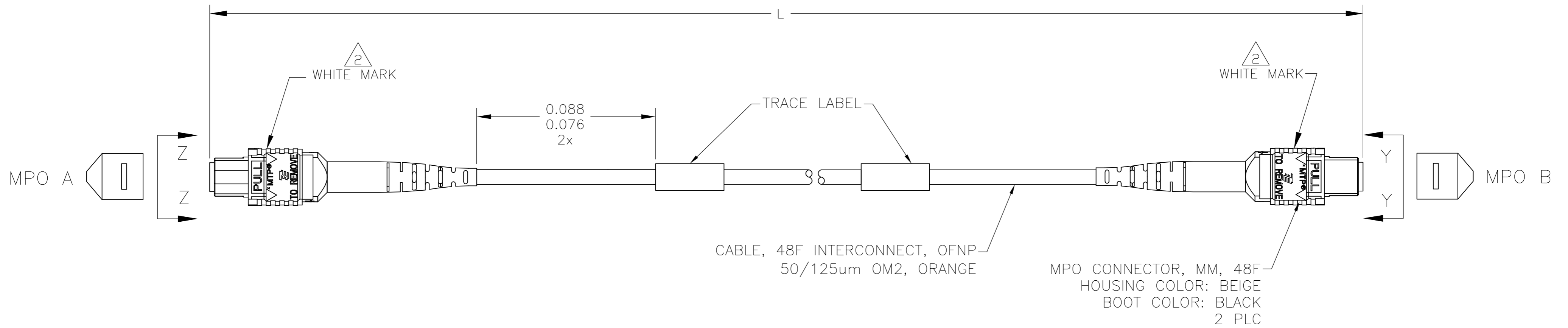
Email & Skype: info@chipsmall.com Web: www.chipsmall.com


Address: A1208, Overseas Decoration Building, #122 Zhenhua RD., Futian, Shenzhen, China




THIS DRAWING IS UNPUBLISHED. RELEASED FOR PUBLICATION  
 © COPYRIGHT - By - ALL RIGHTS RESERVED.

LOC	DIST	REVISIONS			
P	LTR	DESCRIPTION	DATE	DWN	APVD
HG	-				
	A	NEW RELEASE	27JUN2011	KZ	RZ



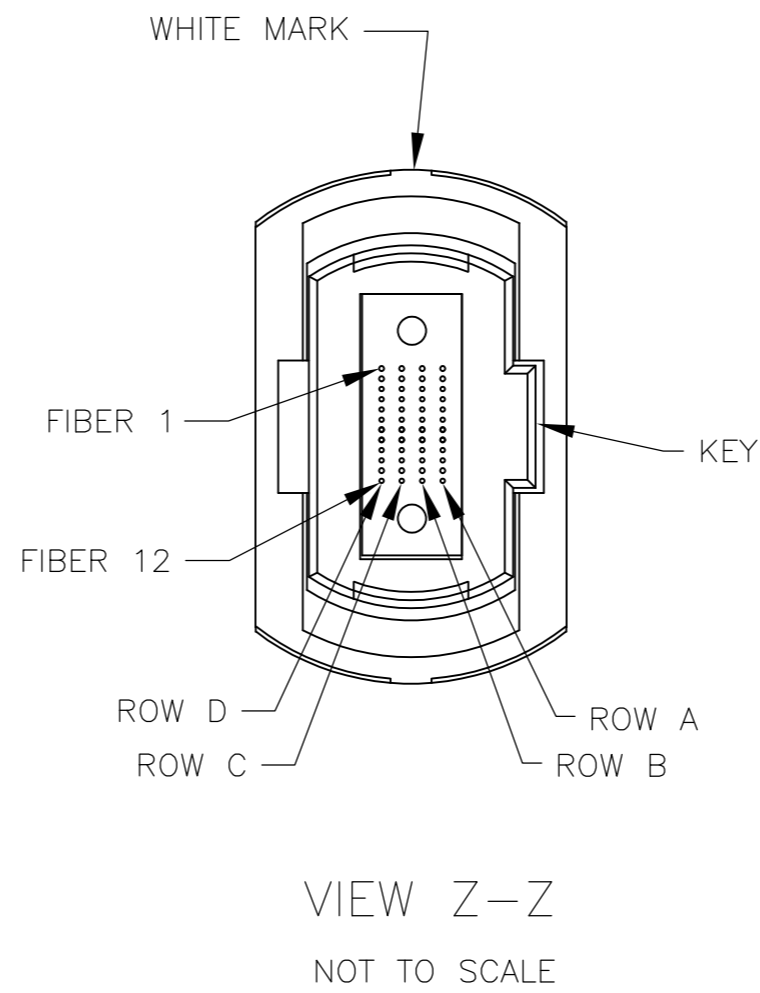
- ASSEMBLY LOSS NOT TO EXCEED 2.0dB AT 850nm.
-  WHITE MARK ON CONNECTOR HOUSING INDICATES FIBER 1 SIDE.
- PRODUCT AND PROCESSING MUST MEET REQUIREMENTS OF TEC-138-702.

THIS DRAWING IS A CONTROLLED DOCUMENT.		DWN KIM ZHANG 27JUN2011	 TE Connectivity	
DIMENSIONS: METERS		CHK PHILIP LIU 27JUN2011		
TOLERANCES UNLESS OTHERWISE SPECIFIED:		APVD RICHARD ZHAO 27JUN2011	NAME CABLE ASSEMBLY, FIBER OPTIC, 50/125um OM2 48 FIBER, INTERCONNECT CABLE MPO, NO PINS, BOTH ENDS	
0 PLC ± - 1 PLC ± - 2 PLC ± - 3 PLC ± - 4 PLC ± - ANGLES ± -		PRODUCT SPEC -	SIZE A2	
MATERIAL -		FINISH -	CAGE CODE 00779	DRAWING NO C=2148451
		WEIGHT -	RESTRICTED TO -	
		CUSTOMER DRAWING		SCALE NTS
		SHEET 1 of 2		REV A

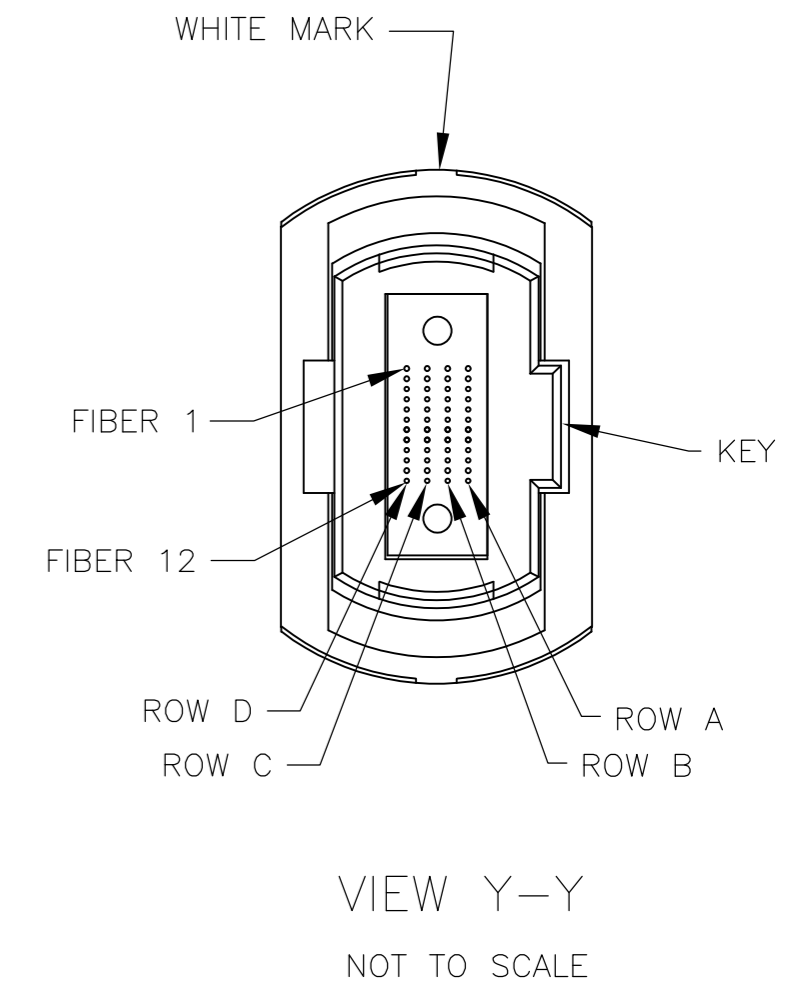
THIS DRAWING IS UNPUBLISHED. RELEASED FOR PUBLICATION  
 © COPYRIGHT - By - ALL RIGHTS RESERVED.

LOC		DIST		REVISIONS			
P	LTR	DESCRIPTION	DATE	DWN	APVD		
CE	00	SEE SHEET 1	-	-	-		

PART NUMBER	L	
	MAX	MIN
2148451-1	1.050	0.950
2148451-2	2.050	1.950
2148451-3	3.050	2.950
2148451-4	4.080	3.920
2148451-5	5.080	4.920
2148451-6	6.080	5.920
2148451-7	7.080	6.920
2148451-8	8.080	7.920
2148451-9	9.150	8.850
1-2148451-0	10.150	9.850
1-2148451-1	11.150	10.850
1-2148451-2	12.150	11.850
1-2148451-3	13.150	12.850
1-2148451-4	14.150	13.850
1-2148451-5	15.150	14.850
1-2148451-6	16.160	15.840
1-2148451-7	17.170	16.830
1-2148451-8	18.180	17.820
1-2148451-9	19.190	18.810
2-2148451-0	20.200	19.800
2-2148451-1	21.210	20.790
2-2148451-2	22.220	21.780
2-2148451-3	23.230	22.770
2-2148451-4	24.240	23.760
2-2148451-5	25.250	24.750
2-2148451-6	26.260	25.740
2-2148451-7	27.270	26.730
2-2148451-8	28.280	27.720
2-2148451-9	29.290	28.710
3-2148451-0	30.300	29.700
3-2148451-1	31.310	30.690
3-2148451-2	32.320	31.680
3-2148451-3	33.330	32.670
3-2148451-4	34.340	33.660
3-2148451-5	35.350	34.650
3-2148451-6	36.360	35.640
3-2148451-7	37.370	36.630
3-2148451-8	38.380	37.620
3-2148451-9	39.390	38.610
4-2148451-0	40.400	39.600
4-2148451-1	41.410	40.590
4-2148451-2	42.420	41.580
4-2148451-3	43.430	42.570
4-2148451-4	44.440	43.560
4-2148451-5	45.450	44.550
4-2148451-6	46.460	45.540
4-2148451-7	47.470	46.530
4-2148451-8	48.480	47.520
4-2148451-9	49.490	48.510
5-2148451-0	50.500	49.500
5-2148451-5	55.550	54.450
6-2148451-0	60.600	59.400
6-2148451-5	65.650	64.350
7-2148451-0	70.700	69.300
7-2148451-5	75.750	74.250
8-2148451-0	80.800	79.200
8-2148451-5	86.000	84.000
9-2148451-0	91.350	88.650
9-2148451-5	96.425	94.575
9-2148451-9	101.500	98.500



MPO A ROW	FIBER	FIBER COLOR	MPO B ROW	FIBER
A	1	BLUE	D	1
A	2	ORANGE	D	2
A	3	GREEN	D	3
A	4	BROWN	D	4
A	5	SLATE	D	5
A	6	WHITE	D	6
A	7	RED	D	7
A	8	BLACK	D	8
A	9	YELLOW	D	9
A	10	VIOLET	D	10
A	11	ROSE	D	11
A	12	AQUA	D	12
B	1	BLUE	C	1
B	2	ORANGE	C	2
B	3	GREEN	C	3
B	4	BROWN	C	4
B	5	SLATE	C	5
B	6	WHITE	C	6
B	7	RED	C	7
B	8	BLACK	C	8
B	9	YELLOW	C	9
B	10	VIOLET	C	10
B	11	ROSE	C	11
B	12	AQUA	C	12
C	1	BLUE	B	1
C	2	ORANGE	B	2
C	3	GREEN	B	3
C	4	BROWN	B	4
C	5	SLATE	B	5
C	6	WHITE	B	6
C	7	RED	B	7
C	8	BLACK	B	8
C	9	YELLOW	B	9
C	10	VIOLET	B	10
C	11	ROSE	B	11
C	12	AQUA	B	12
D	1	BLUE	A	1
D	2	ORANGE	A	2
D	3	GREEN	A	3
D	4	BROWN	A	4
D	5	SLATE	A	5
D	6	WHITE	A	6
D	7	RED	A	7
D	8	BLACK	A	8
D	9	YELLOW	A	9
D	10	VIOLET	A	10
D	11	ROSE	A	11
D	12	AQUA	A	12



CONNECTOR FIBER PATH

THIS DRAWING IS A CONTROLLED DOCUMENT.		DWN KIM ZHANG 27JUN2011	TE Connectivity	
DIMENSIONS: METERS		CHK PHILIP LIU 27JUN2011		
TOLERANCES UNLESS OTHERWISE SPECIFIED:		APVD RICHARD ZHAO 27JUN2011	NAME CABLE ASSEMBLY, FIBER OPTIC, 50/125um OM2 48 FIBER, INTERCONNECT CABLE MPO, NO PINS, BOTH ENDS	
		PRODUCT SPEC	SIZE A2	
MATERIAL		APPLICATION SPEC	CAGE CODE 00779	DRAWING NO C=2148451
FINISH		WEIGHT	RESTRICTED TO	
		CUSTOMER DRAWING		SCALE NTS
		SHEET 2 OF 2		REV A