



Chipsmall Limited consists of a professional team with an average of over 10 year of expertise in the distribution of electronic components. Based in Hongkong, we have already established firm and mutual-benefit business relationships with customers from,Europe,America and south Asia,supplying obsolete and hard-to-find components to meet their specific needs.

With the principle of “Quality Parts,Customers Priority,Honest Operation,and Considerate Service”,our business mainly focus on the distribution of electronic components. Line cards we deal with include Microchip,ALPS,ROHM,Xilinx,Pulse,ON,Everlight and Freescale. Main products comprise IC,Modules,Potentiometer,IC Socket,Relay,Connector.Our parts cover such applications as commercial,industrial, and automotives areas.

We are looking forward to setting up business relationship with you and hope to provide you with the best service and solution. Let us make a better world for our industry!



Contact us

Tel: +86-755-8981 8866 Fax: +86-755-8427 6832

Email & Skype: info@chipsmall.com Web: www.chipsmall.com

Address: A1208, Overseas Decoration Building, #122 Zhenhua RD., Futian, Shenzhen, China



4

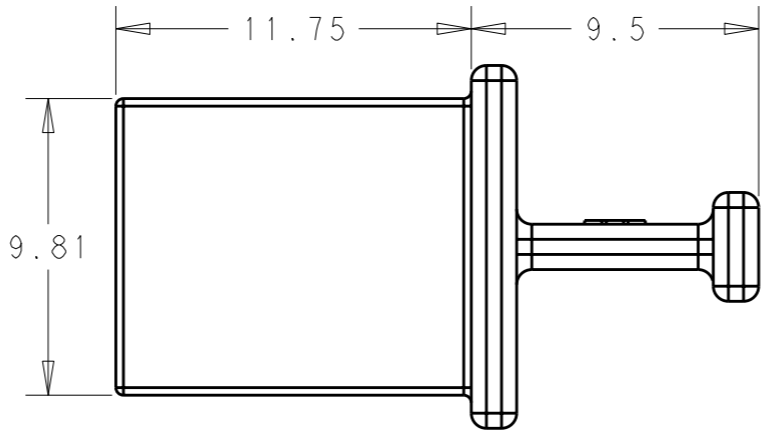
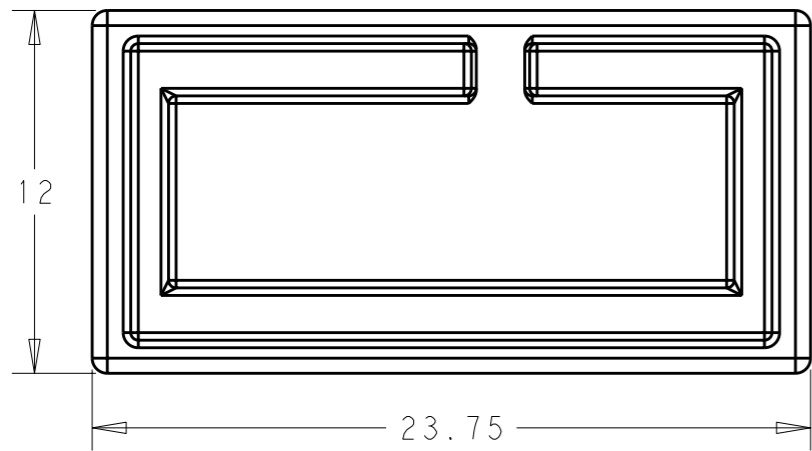
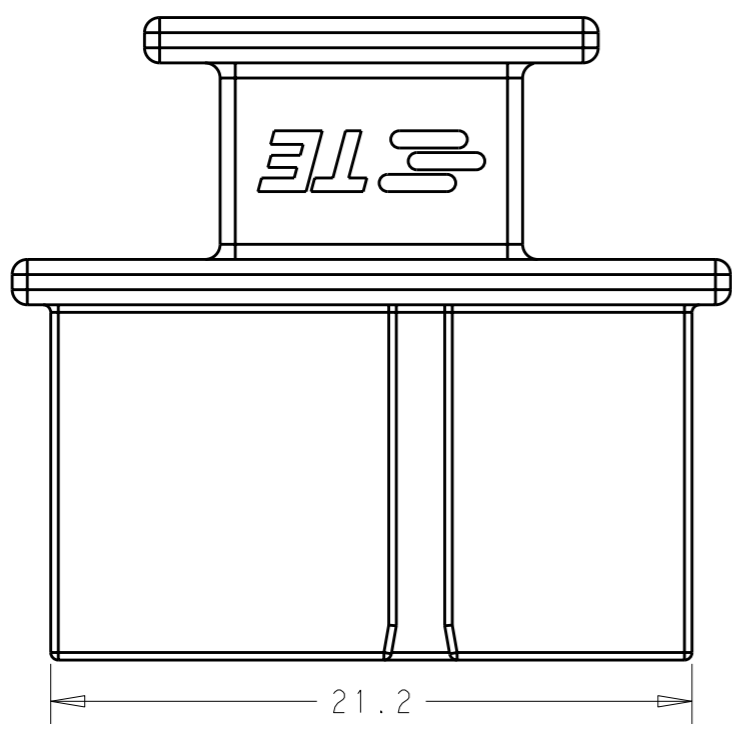
3

2

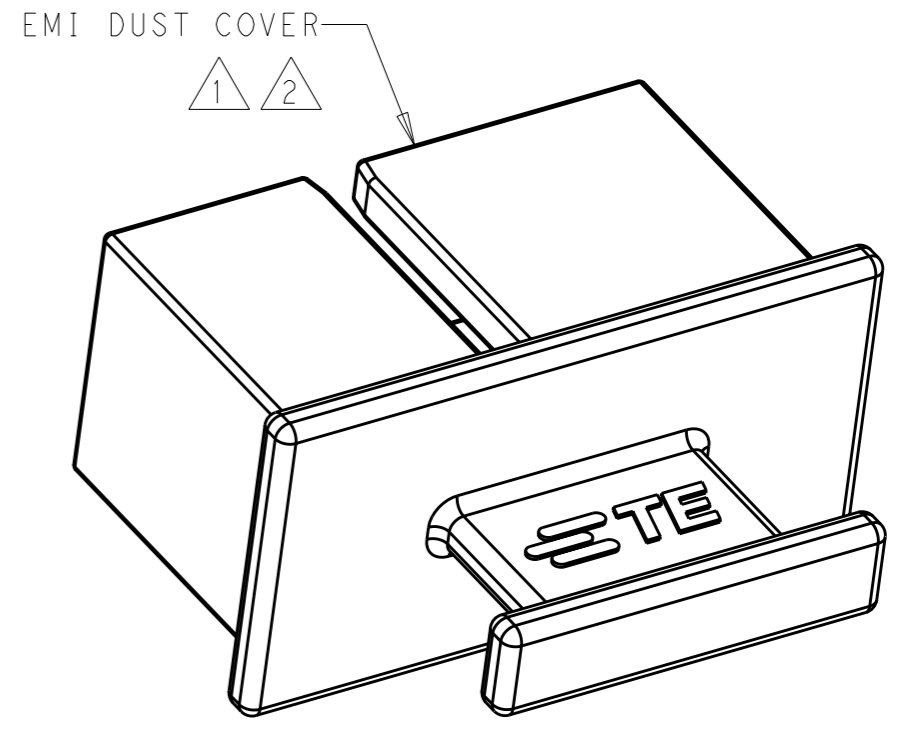
1

THIS DRAWING IS UNPUBLISHED. RELEASED FOR PUBLICATION 20
 © COPYRIGHT 20 BY - ALL RIGHTS RESERVED.

LOC	DIST	REVISIONS				
P	LTR	DESCRIPTION	DATE	DWN	APVD	
GP	00					
	2	REVISED	14MAR2011	MEC	MDM	
	3	REVISED	02MAY2011	MEC	MDM	
	4	REVISED	26SEP2011	MEC	MDM	
	5	REVISED	28SEP2011	MEC	MDM	



- ① ZINC ALLOY PER ASTM B 86
- ② 1.27µm MIN NICKEL PLATE PER QQ-N-290



2149126-3
SCALE 4:1

PRELIMINARY PART- NOT RELEASED FOR PRODUCTION

2149126-3
PART NUMBER

THIS DRAWING IS A CONTROLLED DOCUMENT.		DWN 15DEC2010 M.E. COWHER	PRELIMINARY TE Connectivity				
DIMENSIONS: mm		CHK 15DEC2010 M.D. MORRISON					
		APVD 15DEC2010 M.D. MORRISON					
TOLERANCES UNLESS OTHERWISE SPECIFIED:		PRODUCT SPEC					
0 PLC ±0.1 1 PLC ±0.1 2 PLC ±0.1 3 PLC ±0.1 4 PLC ±0.1 ANGLES ±		APPLICATION SPEC	NAME DUST COVER, EMI CXP				
MATERIAL SEE NOTE		FINISH SEE NOTE	WEIGHT -	SIZE A3	CAGE CODE 00779	DRAWING NO C-2149126	RESTRICTED TO -
CUSTOMER DRAWING			SCALE 4:1	SHEET 1 OF 1	REV 5		