



Chipsmall Limited consists of a professional team with an average of over 10 year of expertise in the distribution of electronic components. Based in Hongkong, we have already established firm and mutual-benefit business relationships with customers from,Europe,America and south Asia,supplying obsolete and hard-to-find components to meet their specific needs.

With the principle of "Quality Parts,Customers Priority,Honest Operation,and Considerate Service",our business mainly focus on the distribution of electronic components. Line cards we deal with include Microchip,ALPS,ROHM,Xilinx,Pulse,ON,Everlight and Freescale. Main products comprise IC,Modules,Potentiometer,IC Socket,Relay,Connector.Our parts cover such applications as commercial,industrial, and automotives areas.

We are looking forward to setting up business relationship with you and hope to provide you with the best service and solution. Let us make a better world for our industry!



## Contact us

Tel: +86-755-8981 8866 Fax: +86-755-8427 6832

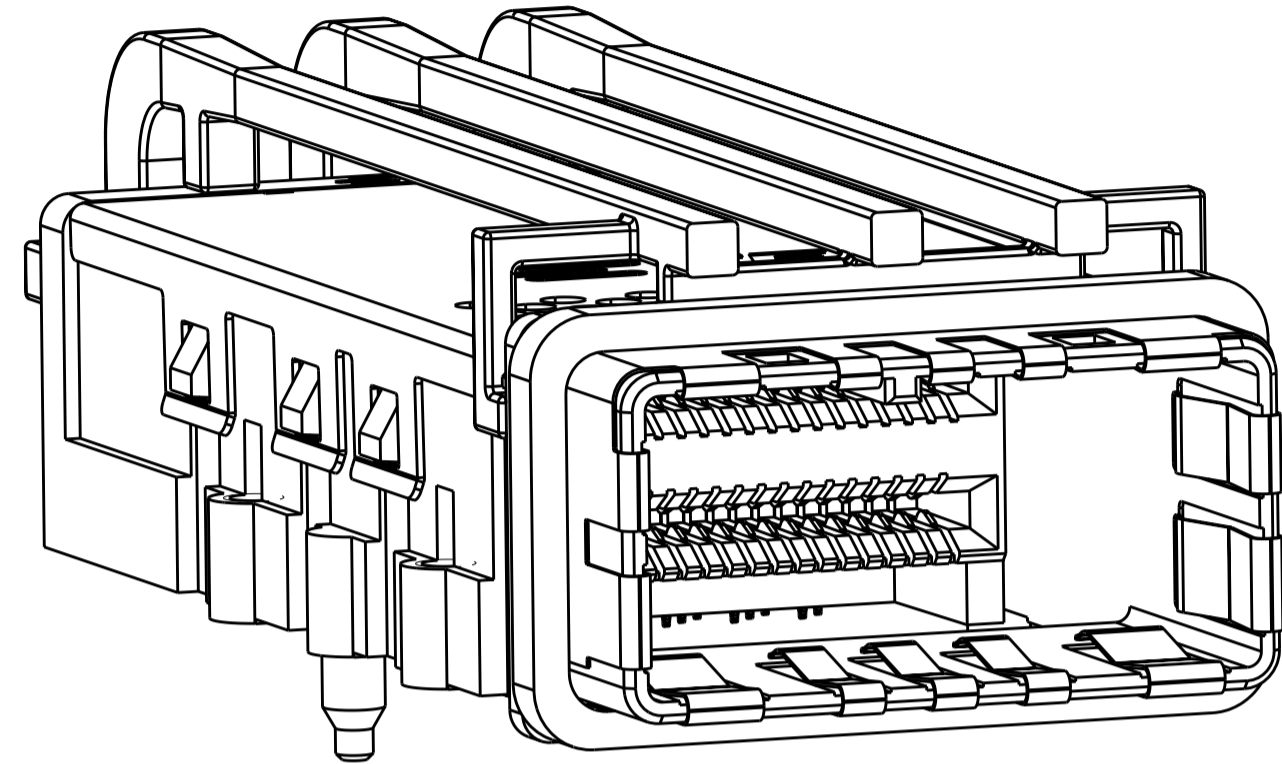
Email & Skype: info@chipsmall.com Web: www.chipsmall.com

Address: A1208, Overseas Decoration Building, #122 Zhenhua RD., Futian, Shenzhen, China

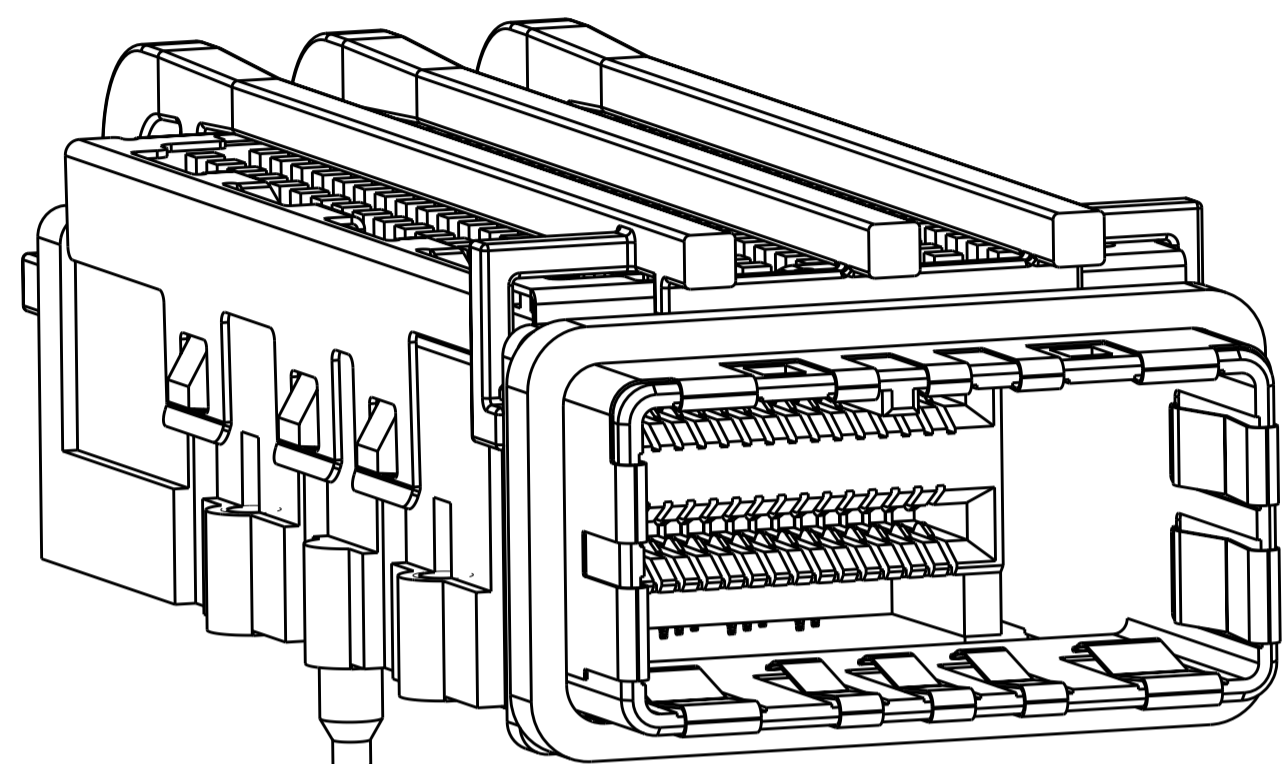


THIS DRAWING IS UNPUBLISHED. RELEASED FOR PUBLICATION 20  
 © COPYRIGHT 20 BY - ALL RIGHTS RESERVED.

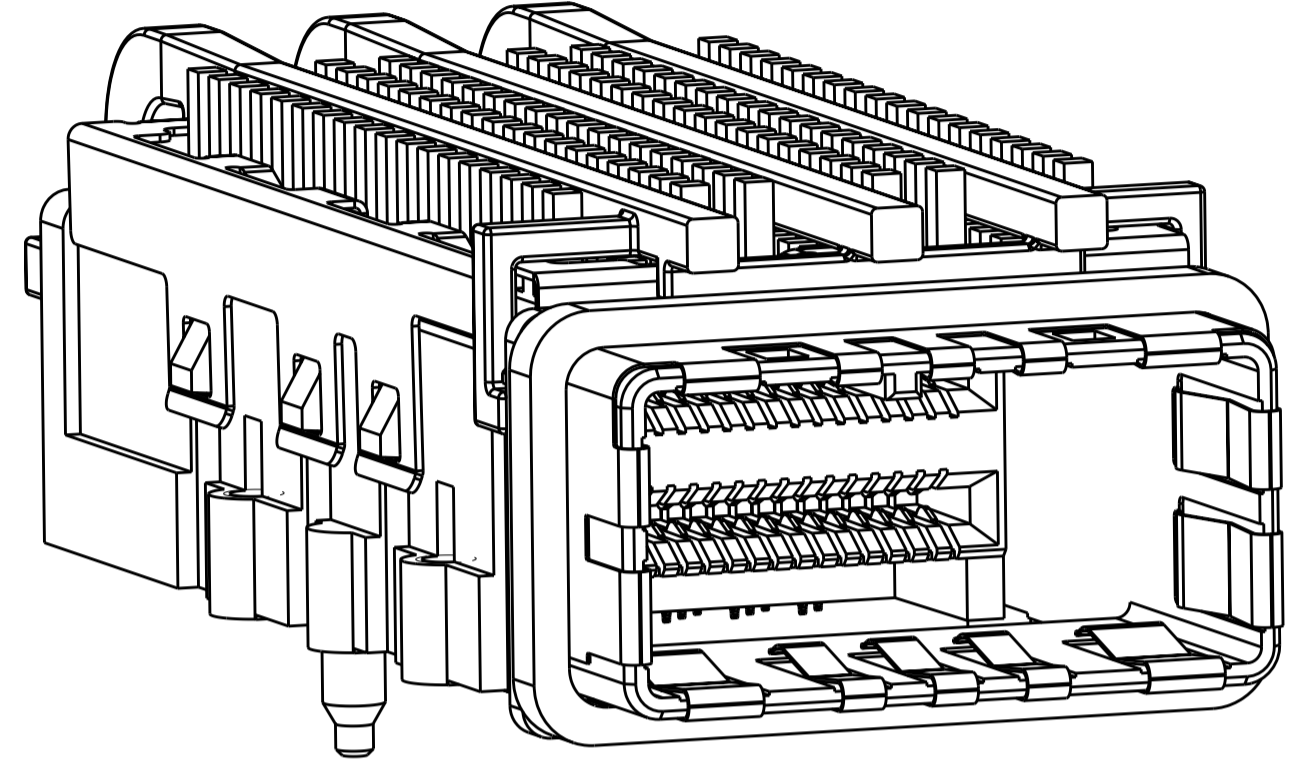
LOC	DIST	REVISIONS					
GP	00	P	LTR	DESCRIPTION	DATE	DWN	APVD
		6		REVISED	21OCT2011	MEC	MDM
		7		REVISED	21OCT2011	MEC	MDM



2149159-1  
SCALE 4:1



2149159-3  
SCALE 4:1



2149159-5  
SCALE 4:1

<b>OBSOLETE</b>	23.5	2149448-2	△3	84 POSITION RECEPTACLE ASSEMBLY WITH LIGHTPIPE AND HEAT SINK	2149159-8
	23.5	2149448-1	△2	84 POSITION RECEPTACLE ASSEMBLY WITH LIGHTPIPE AND HEAT SINK	2149159-7
<b>OBSOLETE</b>	16.5	2149448-2	△3	84 POSITION RECEPTACLE ASSEMBLY WITH LIGHTPIPE AND HEAT SINK	2149159-6
	16.5	2149448-1	△2	84 POSITION RECEPTACLE ASSEMBLY WITH LIGHTPIPE AND HEAT SINK	2149159-5
<b>OBSOLETE</b>	14.2	2149448-2	△3	84 POSITION RECEPTACLE ASSEMBLY WITH LIGHTPIPE AND HEAT SINK	2149159-4
	14.2	2149448-1	△2	84 POSITION RECEPTACLE ASSEMBLY WITH LIGHTPIPE AND HEAT SINK	2149159-3
<b>OBSOLETE</b>	-	2149448-2	△3	884 POSITION RECEPTACLE ASSEMBLY WITH LIGHTPIPE	2149159-2
	-	2149448-1	△2	84 POSITION RECEPTACLE ASSEMBLY WITH LIGHTPIPE	2149159-1
E		RECEPTACLE HOUSING SUB-ASSEMBLY	FINISH	DESCRIPTION	PART NUMBER

PRELIMINARY PART- NOT RELEASED FOR PRODUCTION

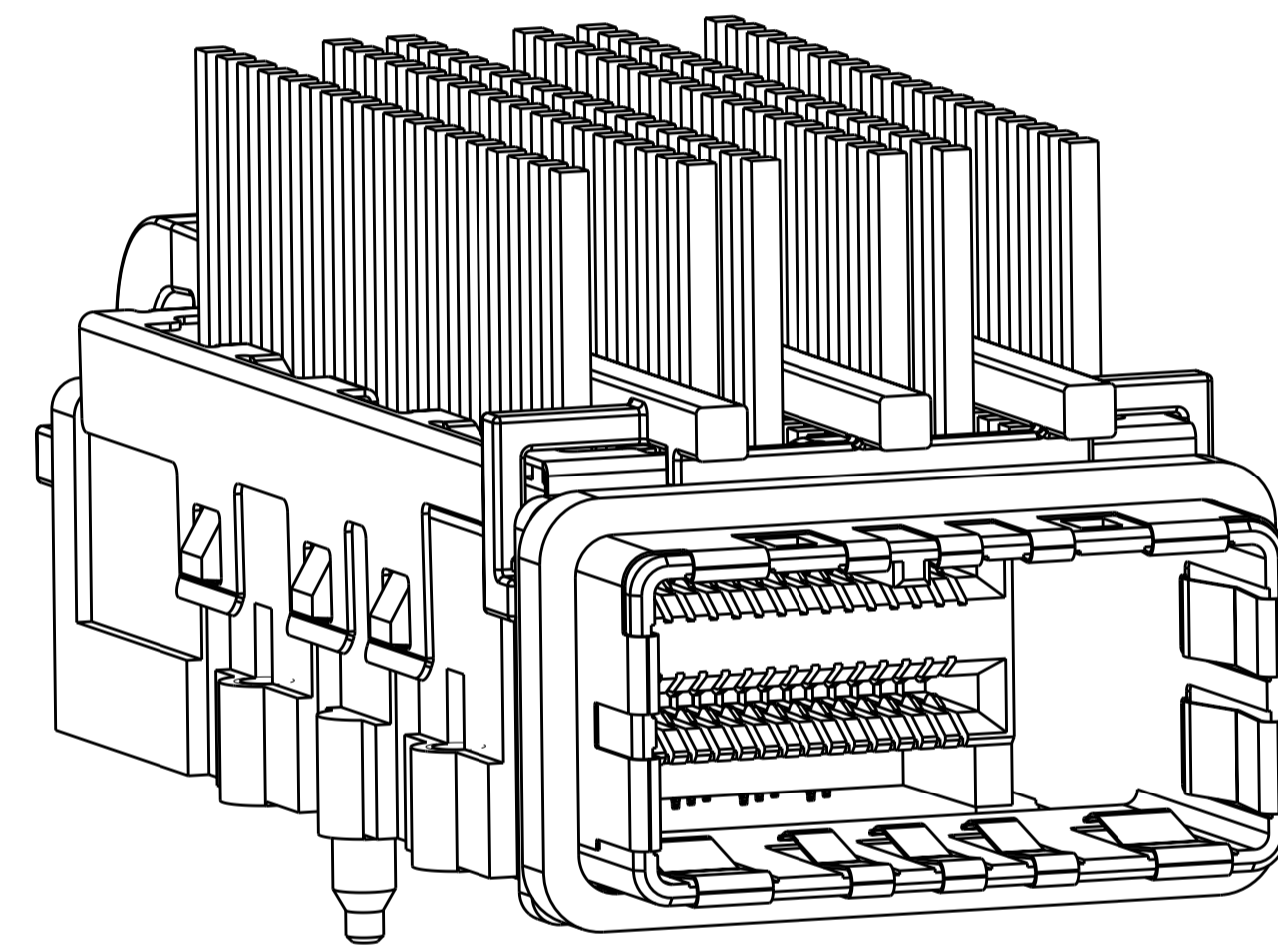
THIS DRAWING IS A CONTROLLED DOCUMENT.

DIMENSIONS: mm	TOLERANCES UNLESS OTHERWISE SPECIFIED: 0 PLC ±0.25 1 PLC ±0.25 2 PLC ±0.25 3 PLC ±0.25 4 PLC ±0.25 ANGLES ± FINISH	DWN M.E. COWHER 09 JUN 2010 CHK M.D. MORRISON 10 JUN 2010 APVD M.D. MORRISON 10 JUN 2010	NAME M.D. MORRISON
MATERIAL	SEE NOTES	PRODUCT SPEC - APPLICATION SPEC - WEIGHT -	RESTRICTED TO -
SEE NOTES	SEE TABLE	CUSTOMER DRAWING	SCALE 1:1 SHEET 1 OF 5 REV 7

STE TE Connectivity  
**PRELIMINARY**  
 RECEPTACLE ASSEMBLY WITH LIGHTPIPE AND HEAT SINK, 84 POSITION, CXP  
 SIZE A2 CAGE CODE 00779 DRAWING NO 2149159

THIS DRAWING IS UNPUBLISHED. RELEASED FOR PUBLICATION 20  
 © COPYRIGHT 20 BY - ALL RIGHTS RESERVED.

LOC	DIST	REVISIONS					
GP	00	P	LTR	DESCRIPTION	DATE	DWN	APVD
		-		SEE SHEET 1			



2149159-7  
 SCALE 4:1

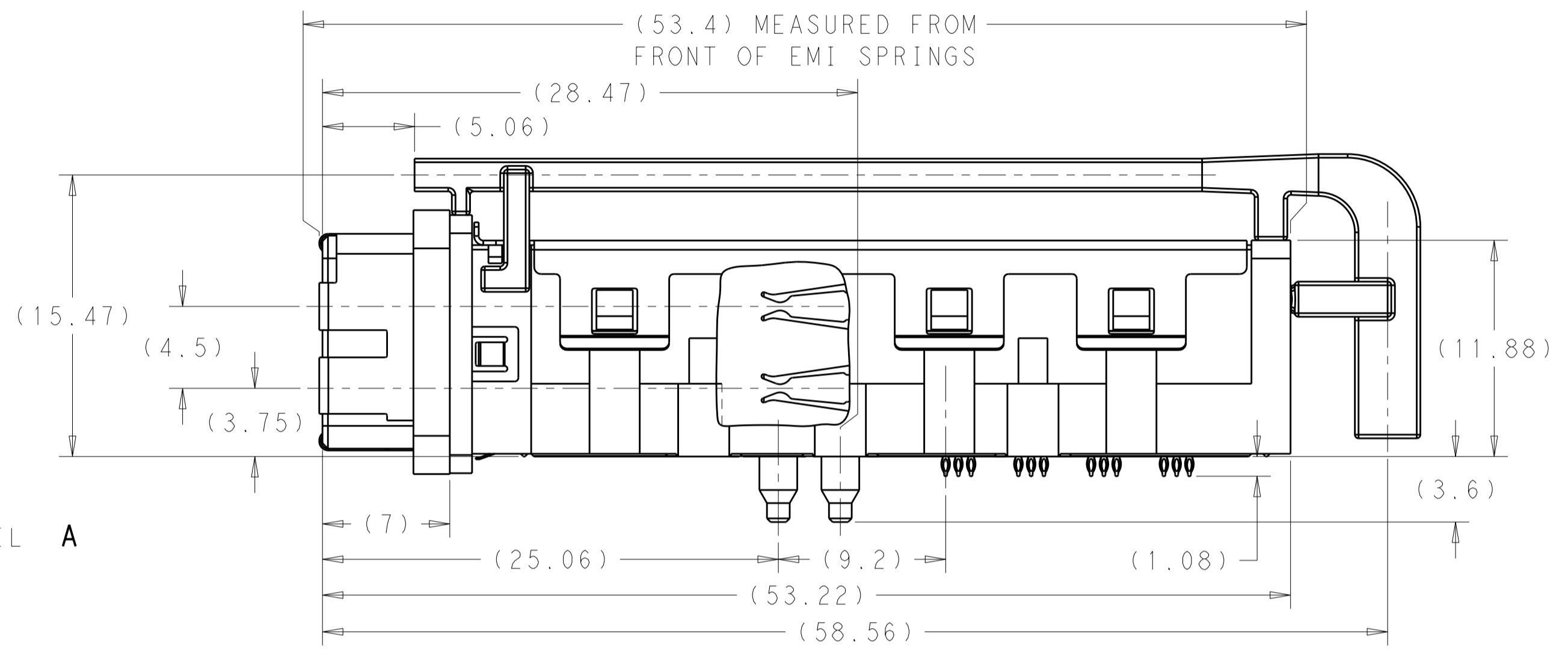
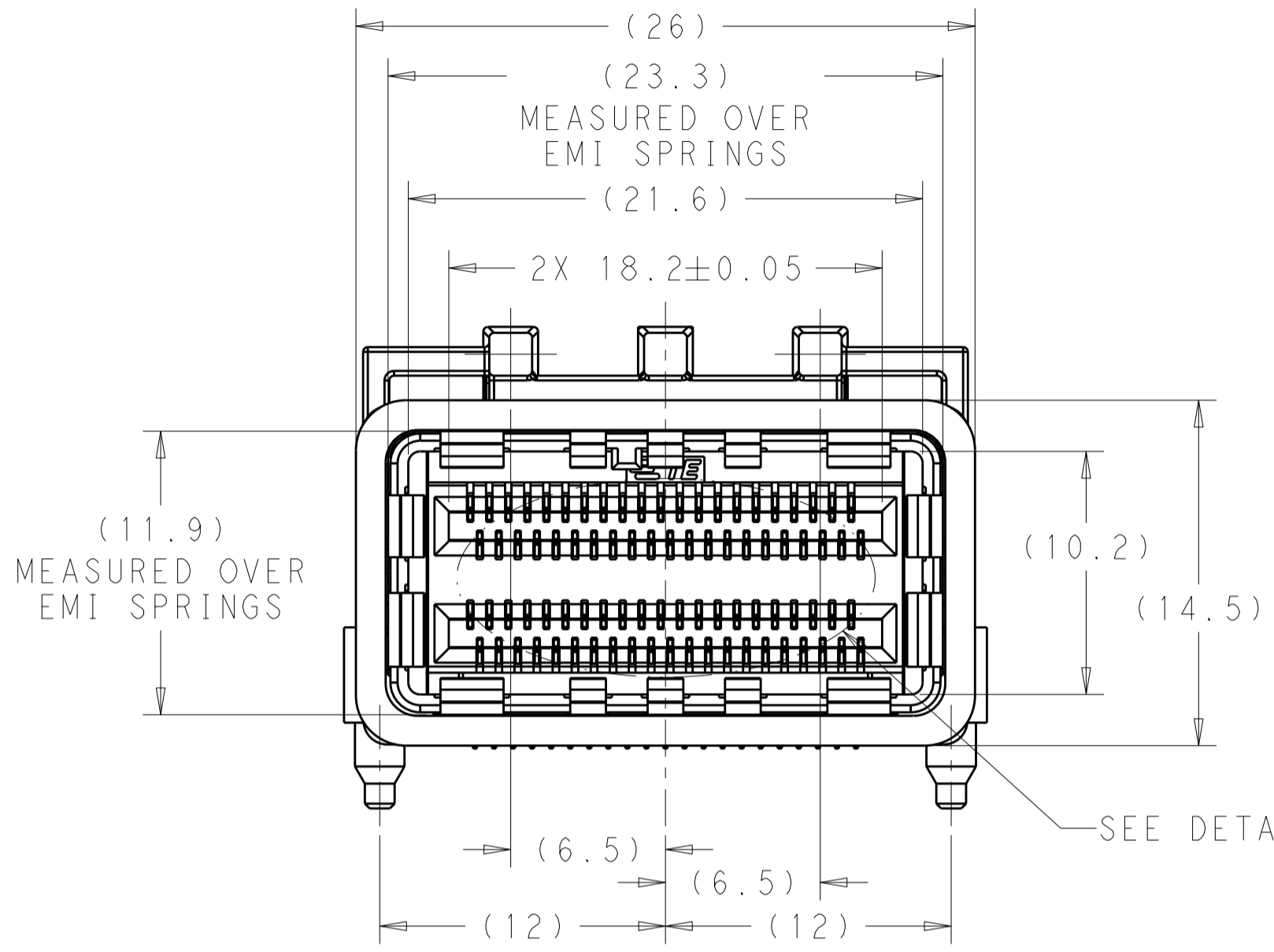
1. MATERIALS:  
 HOUSING - NICKEL PLATED ZINC ALLOY PER ASTM B 240  
 EMI GASKET - SILVER PLATED URETHANE  
 RECEPTACLE HOUSING - LCP, BLACK, UL 94V-0 RATED  
 CHICKLET - LCP, BLACK, UL 94V-0 RATED  
 CONTACT - PHOSPHOR BRONZE PER ASTM B 103  
 EMI SPRING - COPPER ALLOY  
 HEAT SINK - ALUMINUM  
 CLIP, HEAT SINK - STAINLESS STEEL  
 LIGHTPIPE - POLYCARBONATE, CLEAR
2. CONTACT FINISH:  
 CONFORMS TO THE REQUIREMENTS OF TYCO ELECTRONICS  
 PRODUCT SPECIFICATION 108-2426, BASED ON EIA/ECA-364-1000.01A,  
 (CONTROLLED ENVIRONMENT APPLICATIONS) ON MATING INTERFACE,  
 TIN ON NEEDLE EYE
3. NOTE DELETED
4. PCB THICKNESS = 1.57 MIN
5. FOR HOLE SIZE AND PLATINGS, SEE APPLICATION SPEC 114-13283
6. THE ENTIRE AREA OF THE CONNECTOR FOOTPRINT, INDICATED  
 BY CROSSHATCHING, TO BE CONSIDERED THE KEEP-OUT AREA FOR  
 COMPONENTS AND SIGNAL TRACES, TOP SIDE ONLY, TOP SIDE  
 TRACES ALLOWED WITHIN CONNECTOR HOLE PATTERN, CROSSHATCHING  
 TO BE CONDUCTIVE
7. MOUNTING HARDWARE REQUIRED:  
 M2x0.4 (4)  
 MOUNTING SCREW LENGTH = BOARD THICKNESS PLUS 4mm MAX
8. COMPONENTS PACKAGED UNASSEMBLED

PRELIMINARY PART- NOT RELEASED FOR PRODUCTION

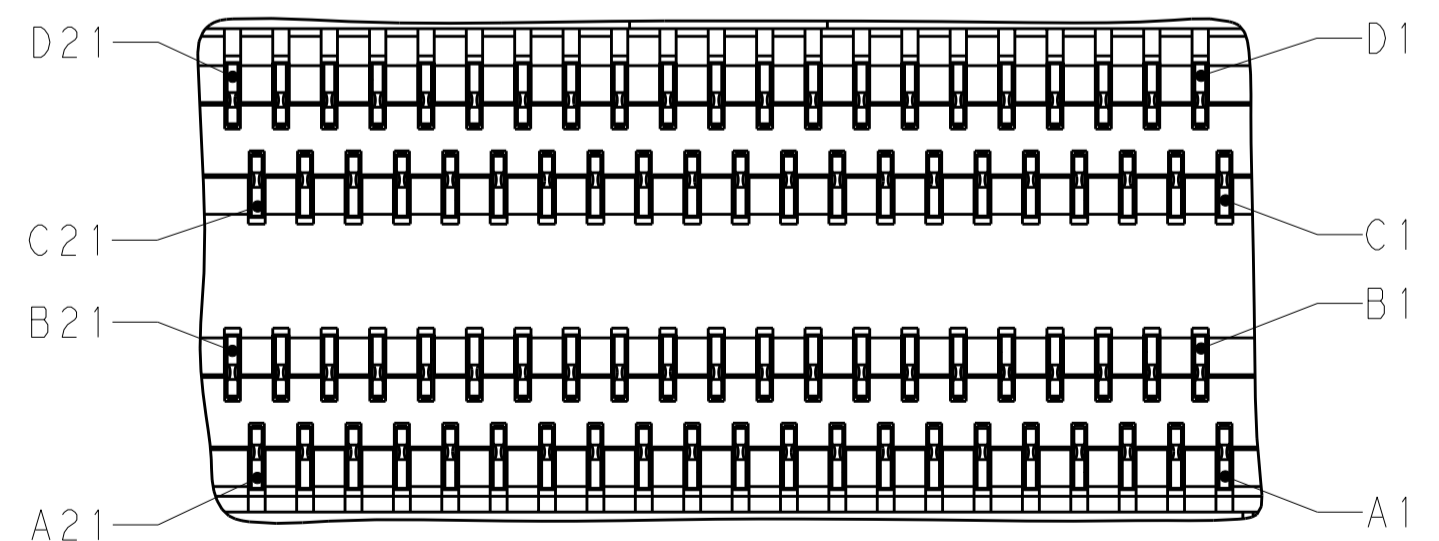
THIS DRAWING IS A CONTROLLED DOCUMENT.		DWN M.E. COWHER 09 JUN 2010	TE Connectivity											
DIMENSIONS: mm		CHK M.D. MORRISON 10 JUN 2010												
TOLERANCES UNLESS OTHERWISE SPECIFIED:		APVD M.D. MORRISON 10 JUN 2010	NAME RECEPTACLE ASSEMBLY WITH LIGHTPIPE AND HEAT SINK, 84 POSITION, CXP											
<table border="0"> <tr><td>0 PLC</td><td>±0.25</td></tr> <tr><td>1 PLC</td><td>±0.25</td></tr> <tr><td>2 PLC</td><td>±0.25</td></tr> <tr><td>3 PLC</td><td>±0.25</td></tr> <tr><td>4 PLC</td><td>±0.25</td></tr> </table>		0 PLC	±0.25	1 PLC	±0.25	2 PLC	±0.25	3 PLC	±0.25	4 PLC	±0.25	PRODUCT SPEC -	SIZE A200779	DRAWING NO C-2149159
0 PLC	±0.25													
1 PLC	±0.25													
2 PLC	±0.25													
3 PLC	±0.25													
4 PLC	±0.25													
MATERIAL SEE NOTES		APPLICATION SPEC -	CAGE CODE -	RESTRICTED TO -										
ANGLES FINISH SEE TABLE		WEIGHT -	SCALE 1:1 SHEET 2 OF 5 REV 7											
		CUSTOMER DRAWING												

THIS DRAWING IS UNPUBLISHED. RELEASED FOR PUBLICATION 20  
 © COPYRIGHT 20 BY - ALL RIGHTS RESERVED.

LOC	DIST	REVISIONS			
P	LTR	DESCRIPTION	DATE	DWN	APVD
GP	00	-	SEE SHEET 1	-	-



2149159-1  
 SCALE 4:1



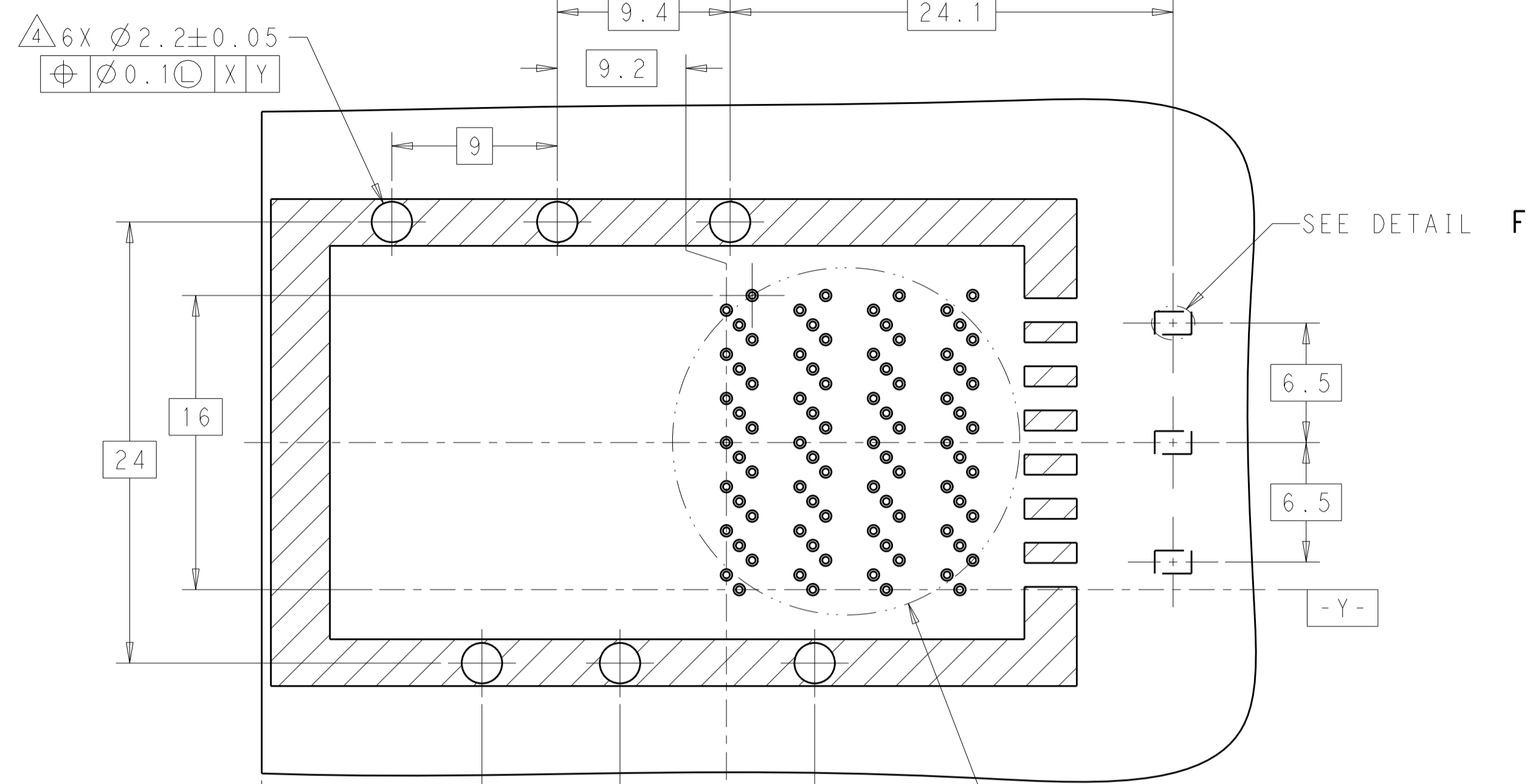
DETAIL A  
 RECOMMENDED PIN CALLOUT  
 SCALE 8:1

PRELIMINARY PART- NOT RELEASED FOR PRODUCTION

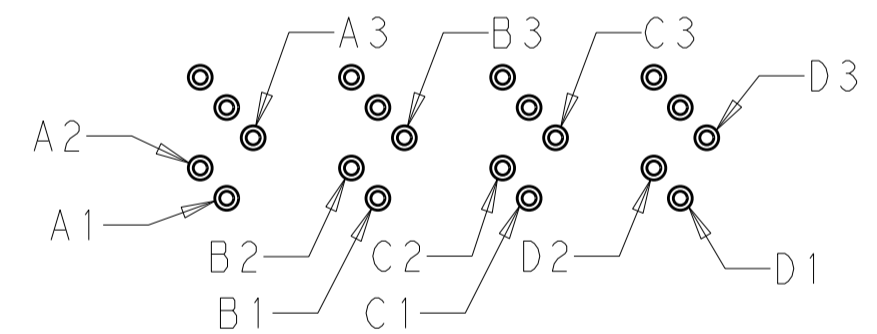
THIS DRAWING IS A CONTROLLED DOCUMENT.		DWN M.E. COWHER 09 JUN 2010	TE Connectivity
DIMENSIONS: mm		CHK M.D. MORRISON 10 JUN 2010	
TOLERANCES UNLESS OTHERWISE SPECIFIED:		APVD M.D. MORRISON 10 JUN 2010	
0 PLC ±0.25 1 PLC ±0.25 2 PLC ±0.25 3 PLC ±0.25 4 PLC ±0.25 ANGLES ± FINISH		PRODUCT SPEC APPLICATION SPEC WEIGHT CUSTOMER DRAWING	
SEE NOTES		SEE TABLE	NAME RECEPTACLE ASSEMBLY WITH LIGHTPIPE AND HEAT SINK, 84 POSITION, CXP SIZE CAGE CODE DRAWING NO RESTRICTED TO A200779 C-2149159 - SCALE 1:1 SHEET 3 OF 5 REV 7

THIS DRAWING IS UNPUBLISHED. RELEASED FOR PUBLICATION 20  
 © COPYRIGHT 20 BY - ALL RIGHTS RESERVED.

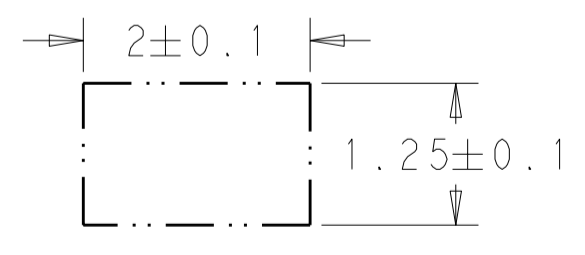
LOC		DIST		REVISIONS				
P	LTR	DESCRIPTION	DATE	DWN	APVD			
GP	00	SEE SHEET 1						



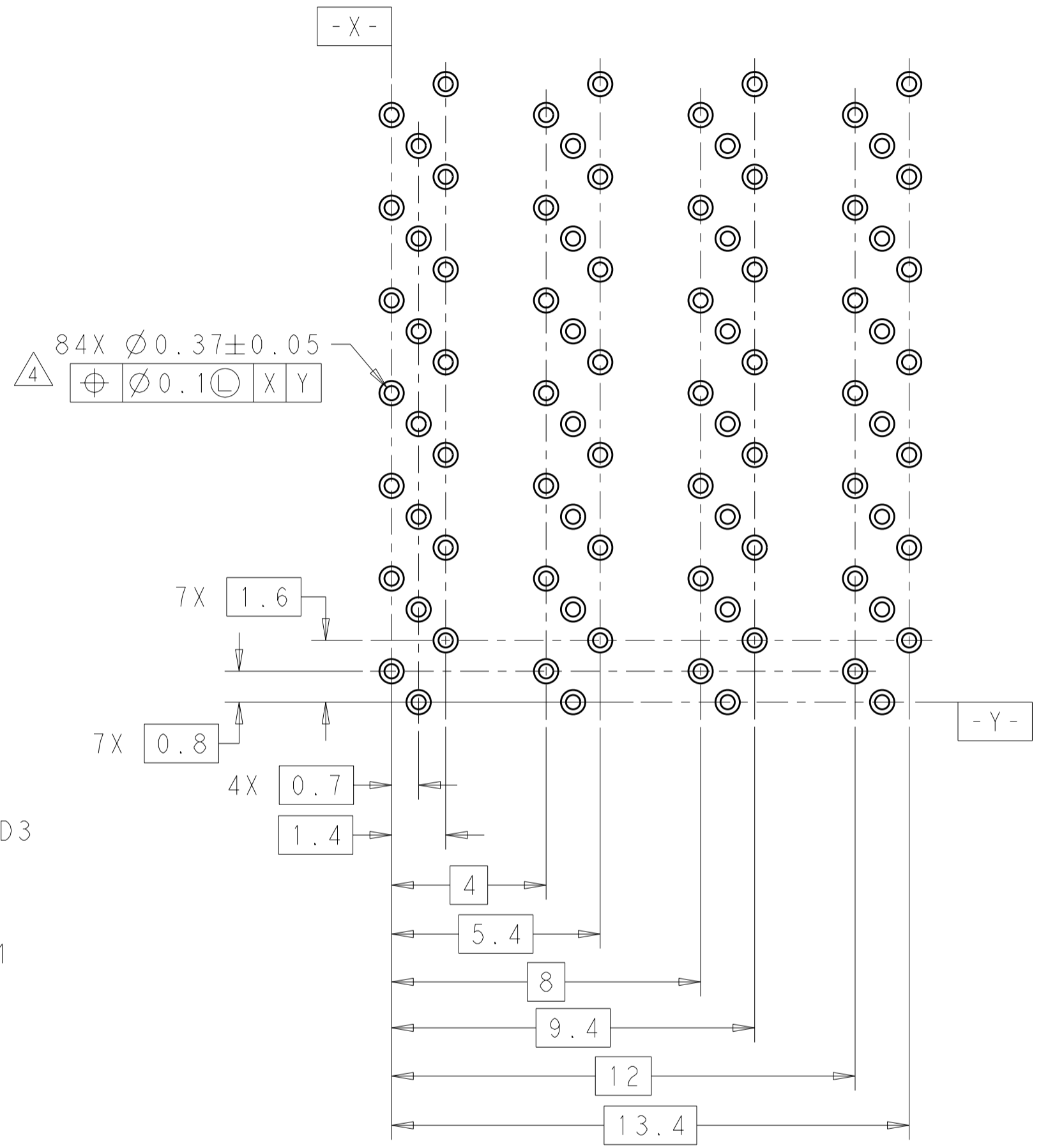
RECOMMENDED PCB LAYOUT  
 COMPONENT SIDE SHOWN  
 SCALE 4:1



DETAIL D  
 PIN CALLOUT (TYPICAL)  
 SCALE 5:1



DETAIL F  
 3X INDIVIDUALLY  
 SCALE 15:1



DETAIL C  
 RECOMMENDED CONNECTOR LAYOUT  
 SCALE 8:1

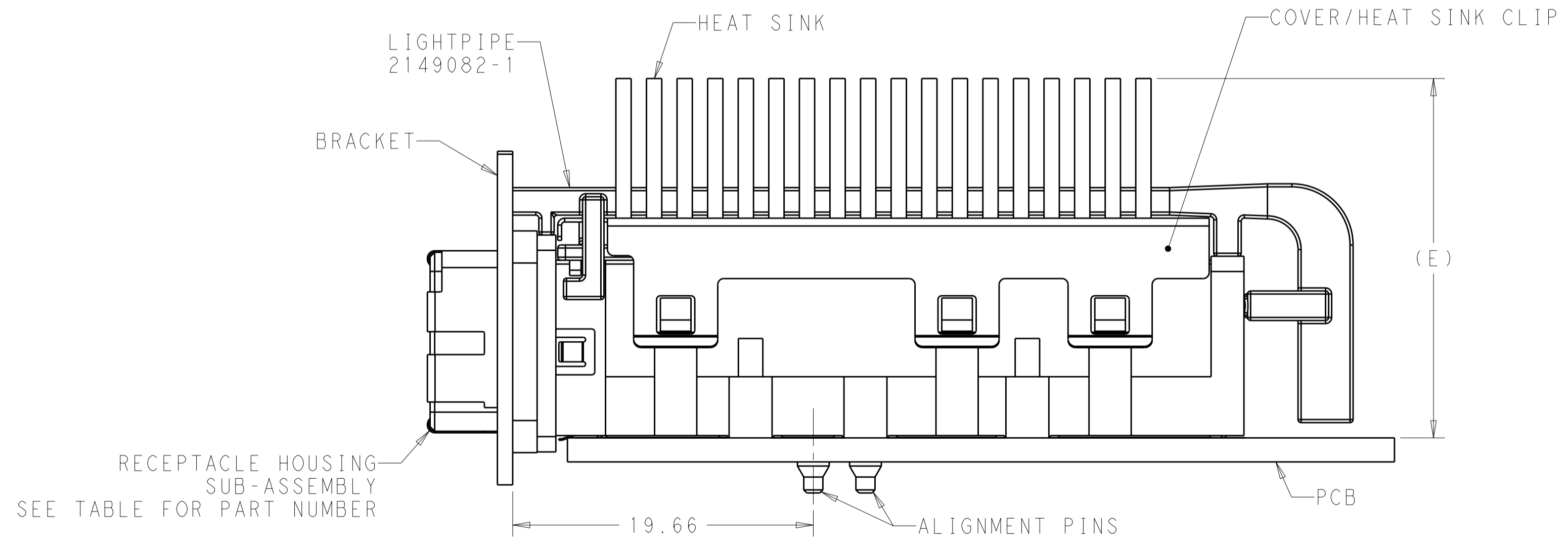
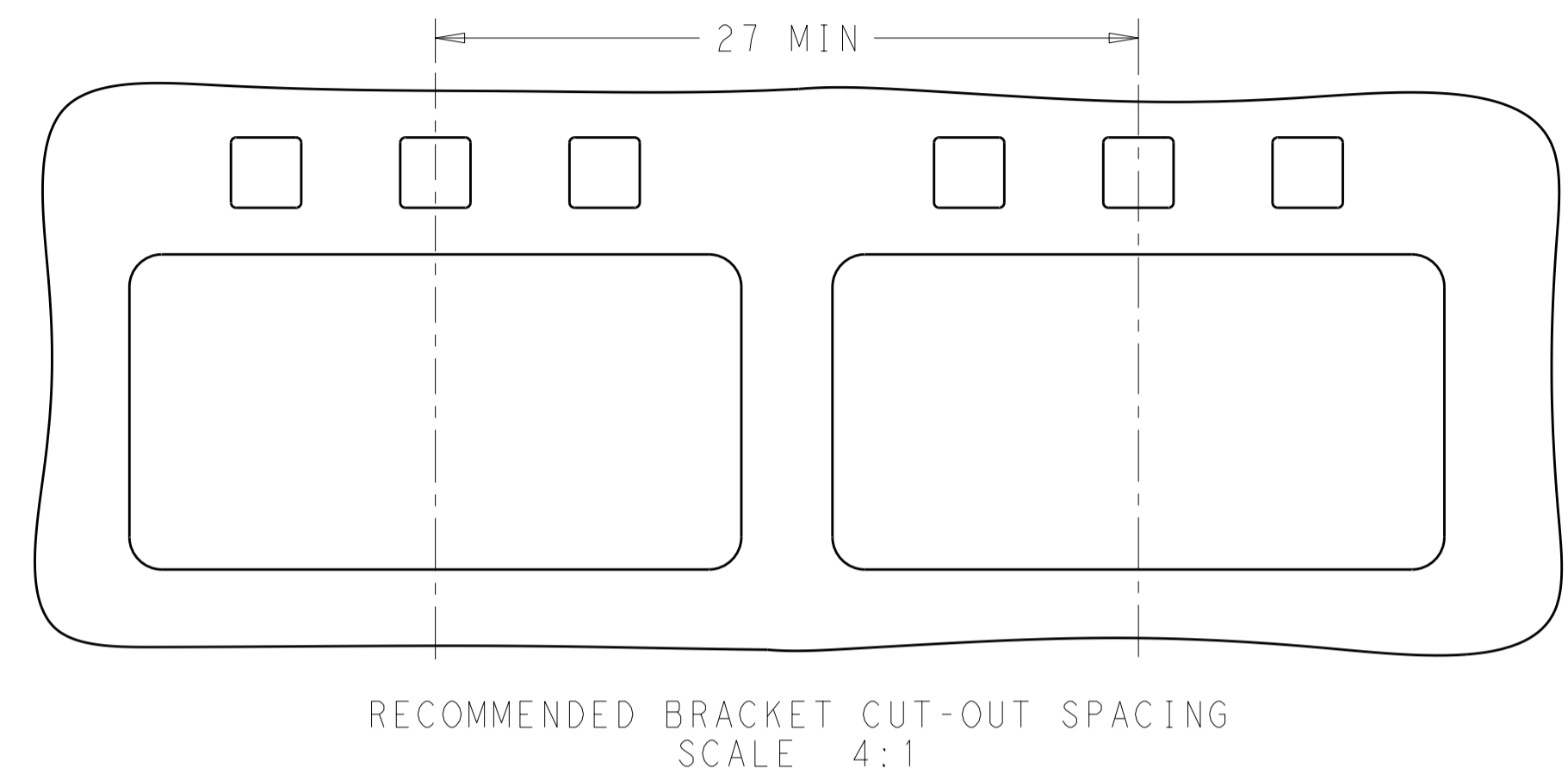
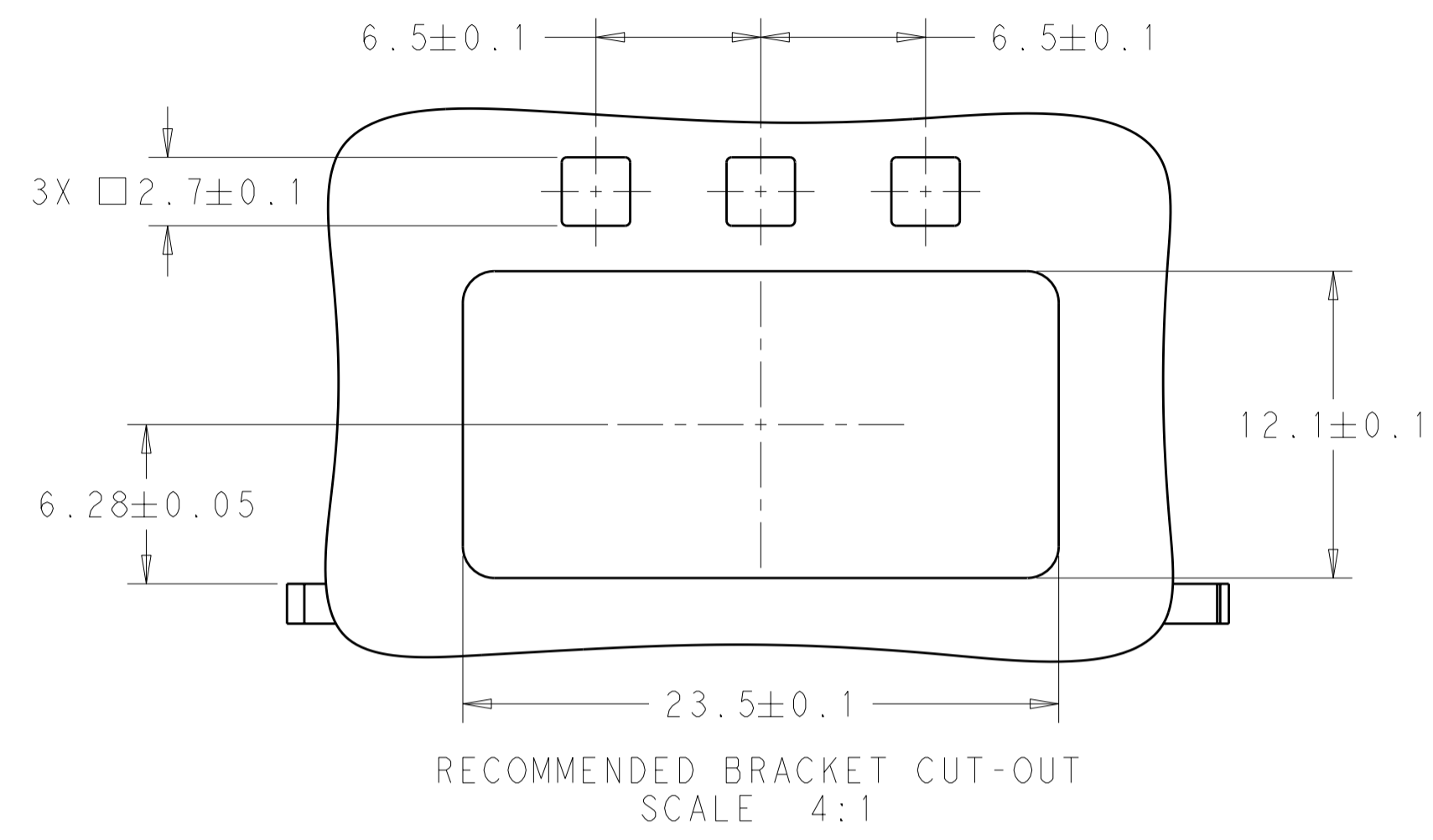
RECOMMENDED KEEPOUT AREA  
 SCALE 5:2

PRELIMINARY PART- NOT RELEASED FOR PRODUCTION

THIS DRAWING IS A CONTROLLED DOCUMENT.		DWN M.E. COWHER 09 JUN 2010	TE Connectivity	
DIMENSIONS: mm		CHK M.D. MORRISON 10 JUN 2010		
TOLERANCES UNLESS OTHERWISE SPECIFIED:		APVD M.D. MORRISON 10 JUN 2010	NAME RECEPTACLE ASSEMBLY WITH LIGHTPIPE AND HEAT SINK, 84 POSITION, CXP	
0 PLC ±0.25		PRODUCT SPEC	SIZE CAGE CODE DRAWING NO RESTRICTED TO	
1 PLC ±0.25		APPLICATION SPEC	A200779C-2149159	
2 PLC ±0.25		WEIGHT	SCALE 1:1 SHEET 4 OF 5 REV 7	
3 PLC ±0.25		CUSTOMER DRAWING		
4 PLC ±0.25				
ANGLES ±				
FINISH				
SEE NOTES		SEE TABLE		

THIS DRAWING IS UNPUBLISHED. RELEASED FOR PUBLICATION 20  
 © COPYRIGHT 20 BY - ALL RIGHTS RESERVED.

LOC	DIST	REVISIONS			
P	LTR	DESCRIPTION	DATE	DWN	APVD
GP	00	-	SEE SHEET 1	-	-



RECOMMENDED BRACKET LOCATION AND  
HEIGHT OF HEAT SINK MEASURED FROM PCB  
SCALE 4:1

PRELIMINARY PART- NOT RELEASED FOR PRODUCTION

THIS DRAWING IS A CONTROLLED DOCUMENT.		DWN M.E. COWHER 09 JUN 2010	TE Connectivity											
DIMENSIONS: mm		CHK M.D. MORRISON 10 JUN 2010												
TOLERANCES UNLESS OTHERWISE SPECIFIED:		APVD M.D. MORRISON 10 JUN 2010	NAME RECEPTACLE ASSEMBLY WITH LIGHTPIPE AND HEAT SINK, 84 POSITION, CXP											
<table border="1"> <tr><td>0 PLC</td><td>±0.25</td></tr> <tr><td>1 PLC</td><td>±0.25</td></tr> <tr><td>2 PLC</td><td>±0.25</td></tr> <tr><td>3 PLC</td><td>±0.25</td></tr> <tr><td>4 PLC</td><td>±0.25</td></tr> </table>		0 PLC	±0.25	1 PLC	±0.25	2 PLC	±0.25	3 PLC	±0.25	4 PLC	±0.25	PRODUCT SPEC -	SIZE A200779	DRAWING NO C-2149159
0 PLC	±0.25													
1 PLC	±0.25													
2 PLC	±0.25													
3 PLC	±0.25													
4 PLC	±0.25													
MATERIAL SEE NOTES		APPLICATION SPEC -	RESTRICTED TO -	SCALE 1:1										
SEE NOTES		WEIGHT -	SHEET 5 OF 5											
SEE TABLE		CUSTOMER DRAWING	REV 7											