



Chipsmall Limited consists of a professional team with an average of over 10 year of expertise in the distribution of electronic components. Based in Hongkong, we have already established firm and mutual-benefit business relationships with customers from,Europe,America and south Asia,supplying obsolete and hard-to-find components to meet their specific needs.

With the principle of “Quality Parts,Customers Priority,Honest Operation,and Considerate Service”,our business mainly focus on the distribution of electronic components. Line cards we deal with include Microchip,ALPS,ROHM,Xilinx,Pulse,ON,Everlight and Freescale. Main products comprise IC,Modules,Potentiometer,IC Socket,Relay,Connector.Our parts cover such applications as commercial,industrial, and automotives areas.

We are looking forward to setting up business relationship with you and hope to provide you with the best service and solution. Let us make a better world for our industry!



Contact us

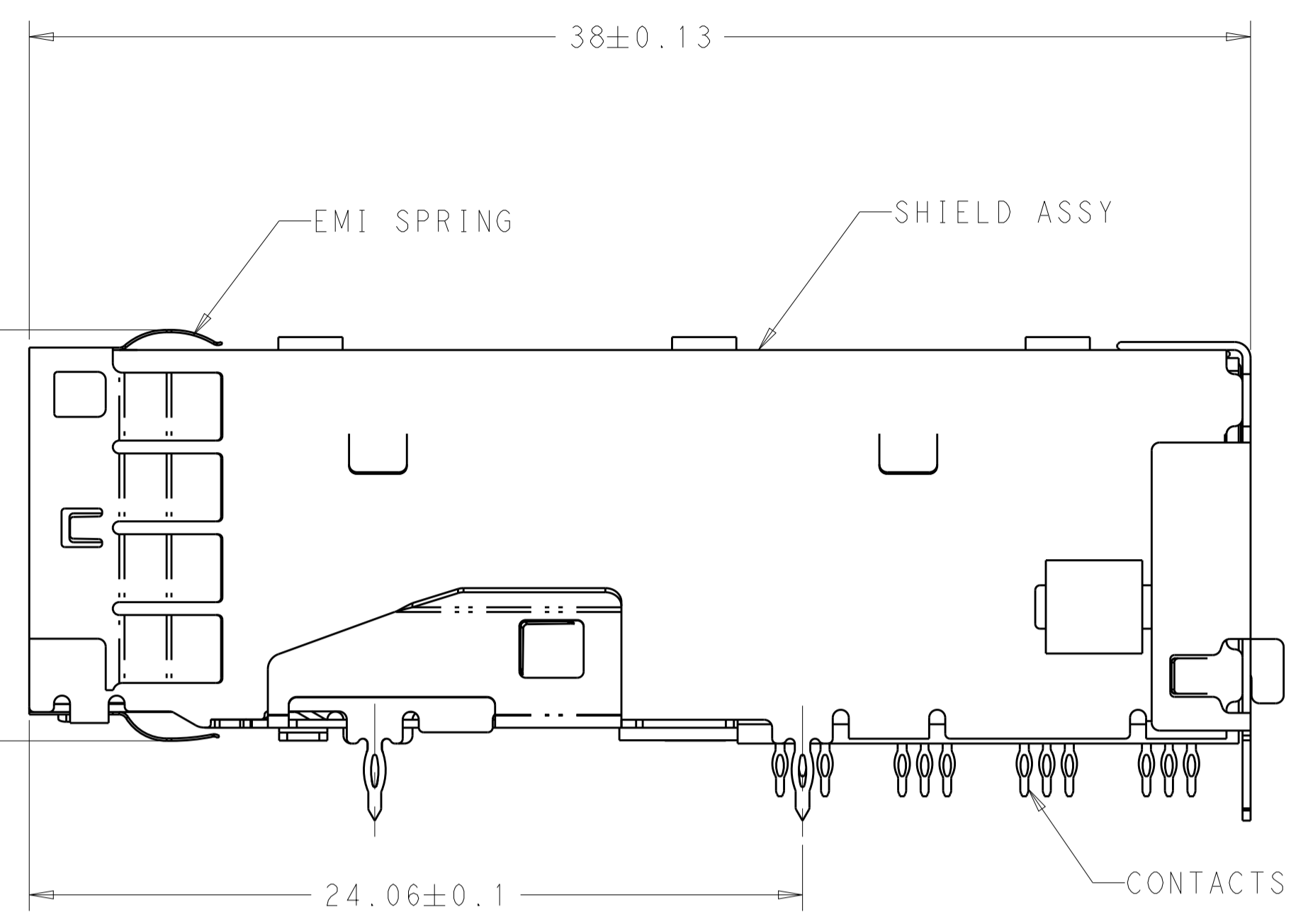
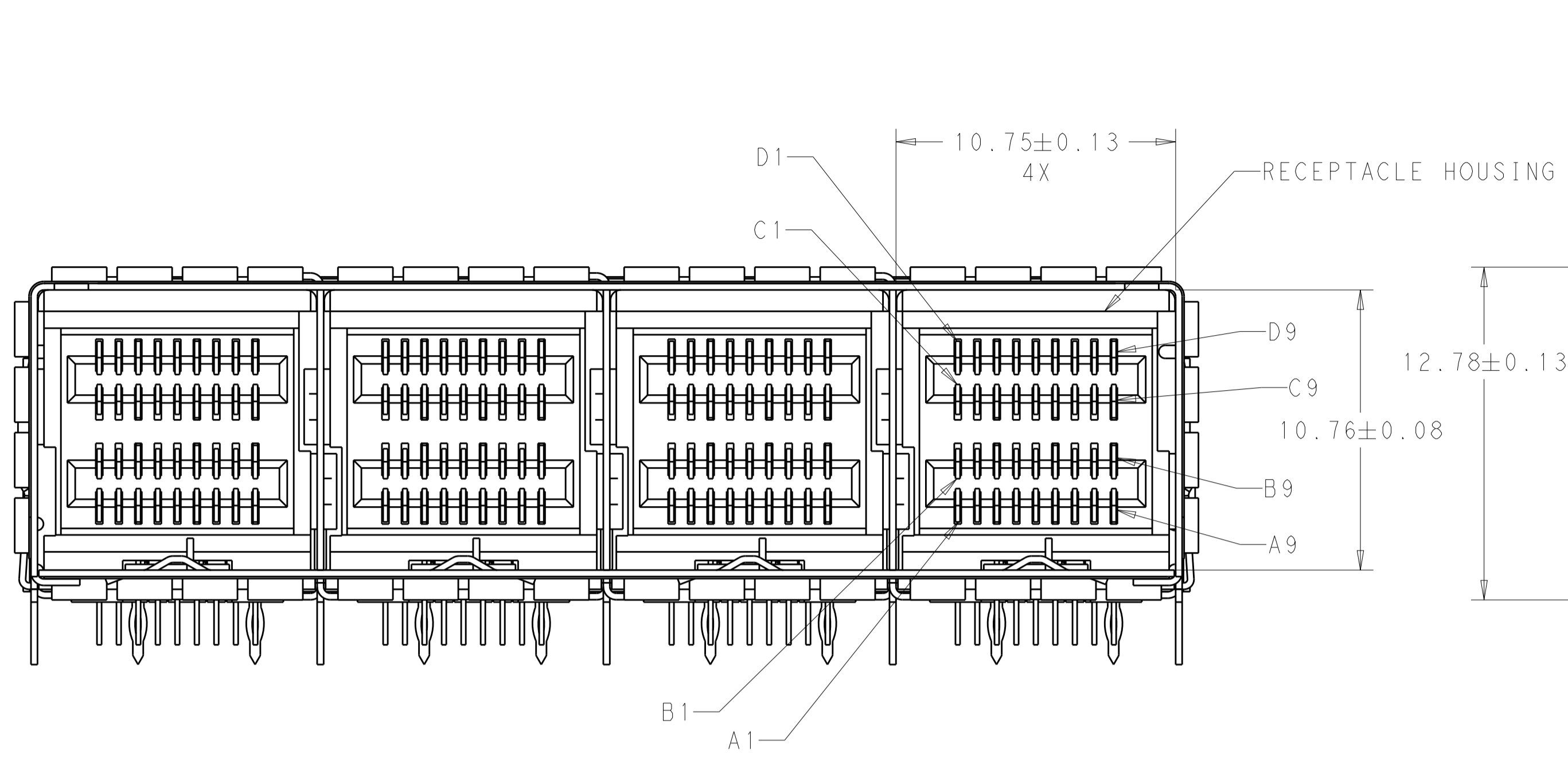
Tel: +86-755-8981 8866 Fax: +86-755-8427 6832

Email & Skype: info@chipsmall.com Web: www.chipsmall.com

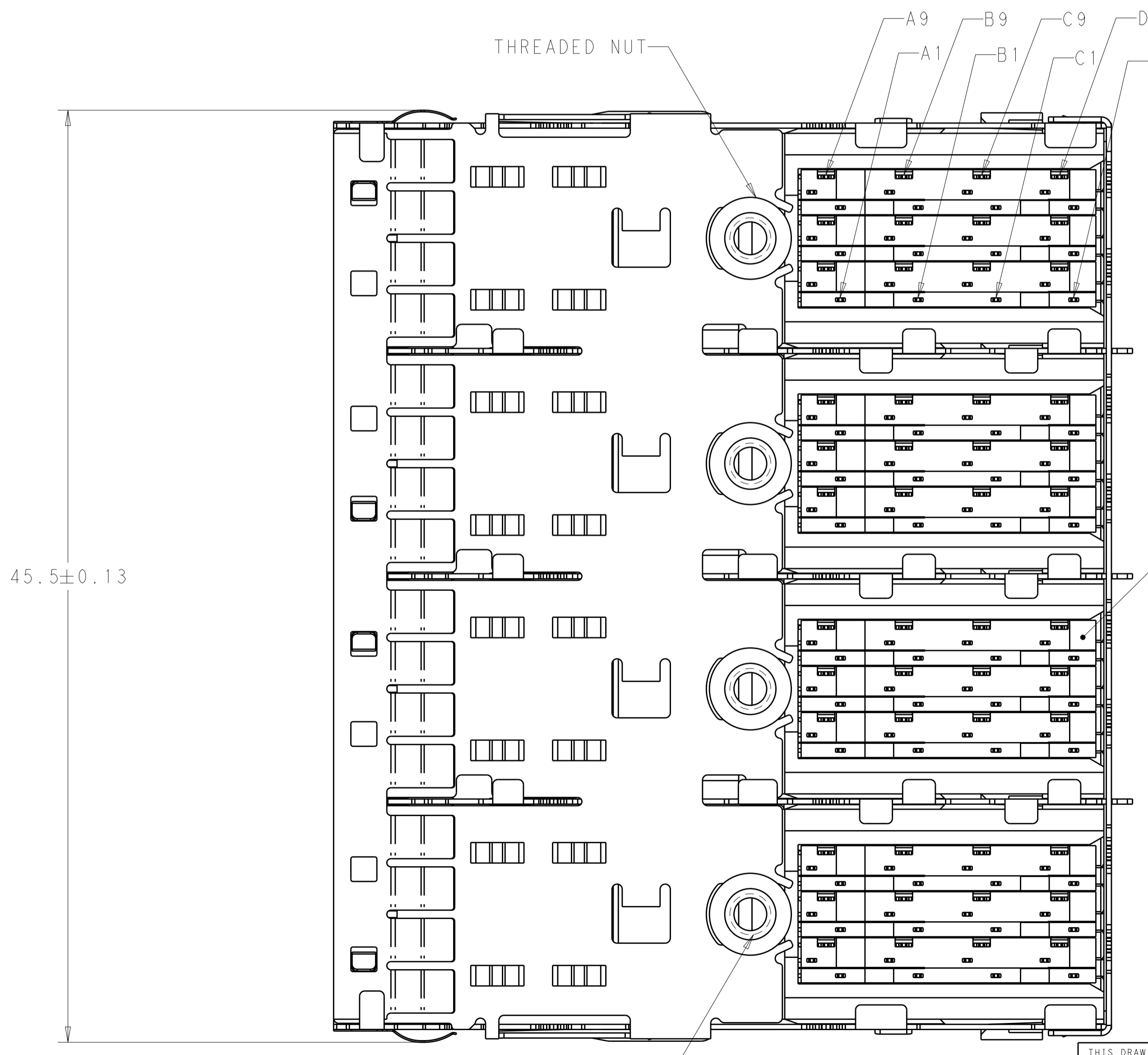
Address: A1208, Overseas Decoration Building, #122 Zhenhua RD., Futian, Shenzhen, China



LOC	DIST	REVISIONS					
		P	LYR	DESCRIPTION	DATE	DWN	APVD
AG	00	10		REVISED	21DEC2012	MEC	JS



1. MATERIALS
 RECEPTACLE HOUSING, LCP, BLACK, UL94V-0 RATED
 SHIELD ASSY: NICKEL SILVER COPPER ALLOY
 CONTACTS: COPPER ALLOY
 EMI SPRING: COPPER ALLOY
 THREADED NUT: BRASS
 CHICKLETS: LCP, BLACK, UL 94V-0 RATED
2. FINISH
 EMI SPRING: TIN PLATE OVER NICKEL PLATE
 NON-PLATED EDGES PERMISSABLE
 THREADED NUT: NICKEL PLATE
3. CONTACT FINISH: CONFORMS TO THE REQUIREMENTS OF TE PRODUCT SPECIFICATION, 108-2462. BASED ON EIA/ECA-364-1000.01A. (CONTROLLED ENVIRONMENT APPLICATIONS) ON MATING END. TIN PLATED ON PCB TAIL
4. THREAD LENGTH OF FASTENER = PCB THICKNESS+1.45 MAX
5. THIS PRODUCT HAS NOT COMPLETED VALIDATION/QUALIFICATION TESTING
6. RECOMMENDED TRACE KEEP OUT ZONE

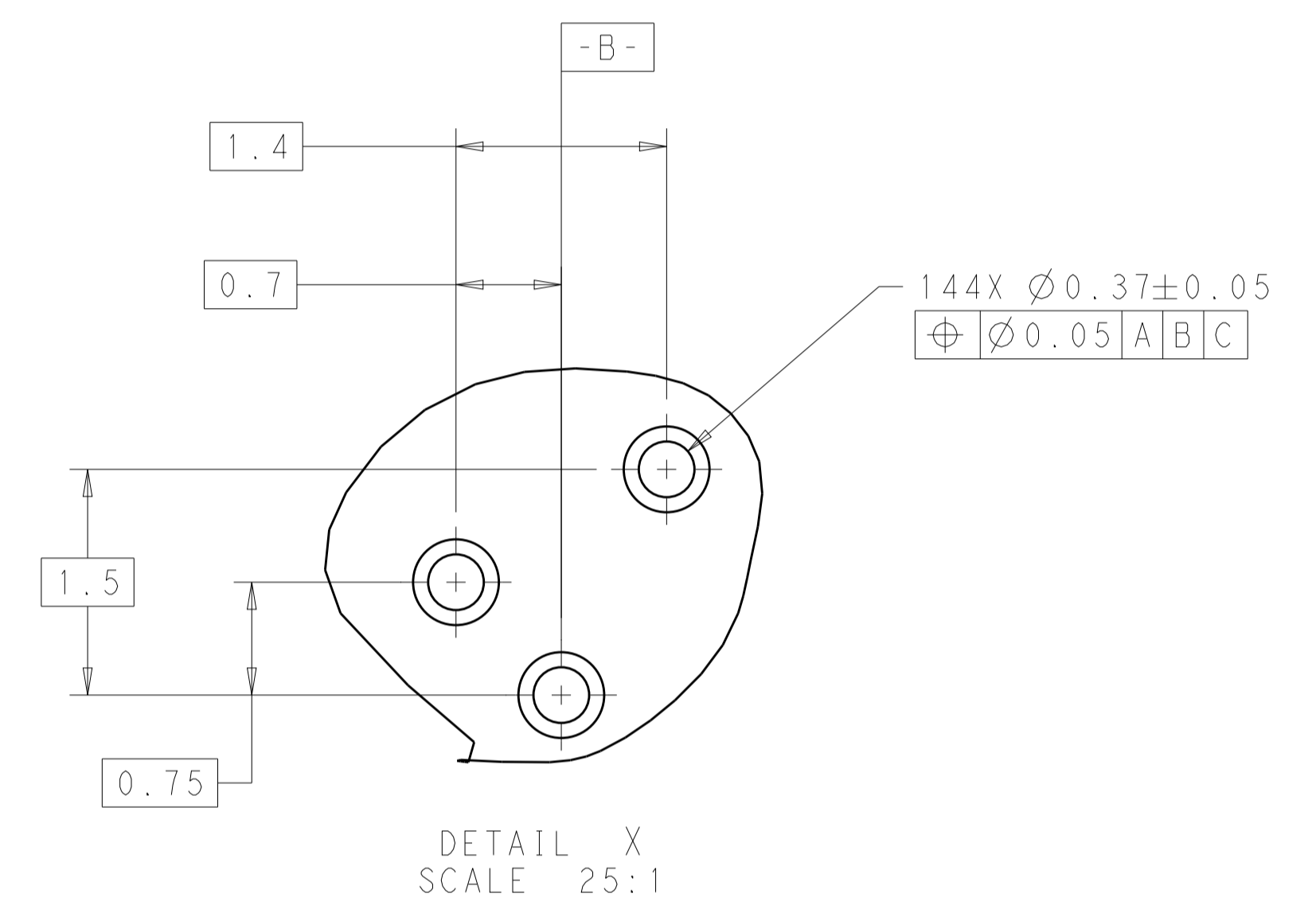
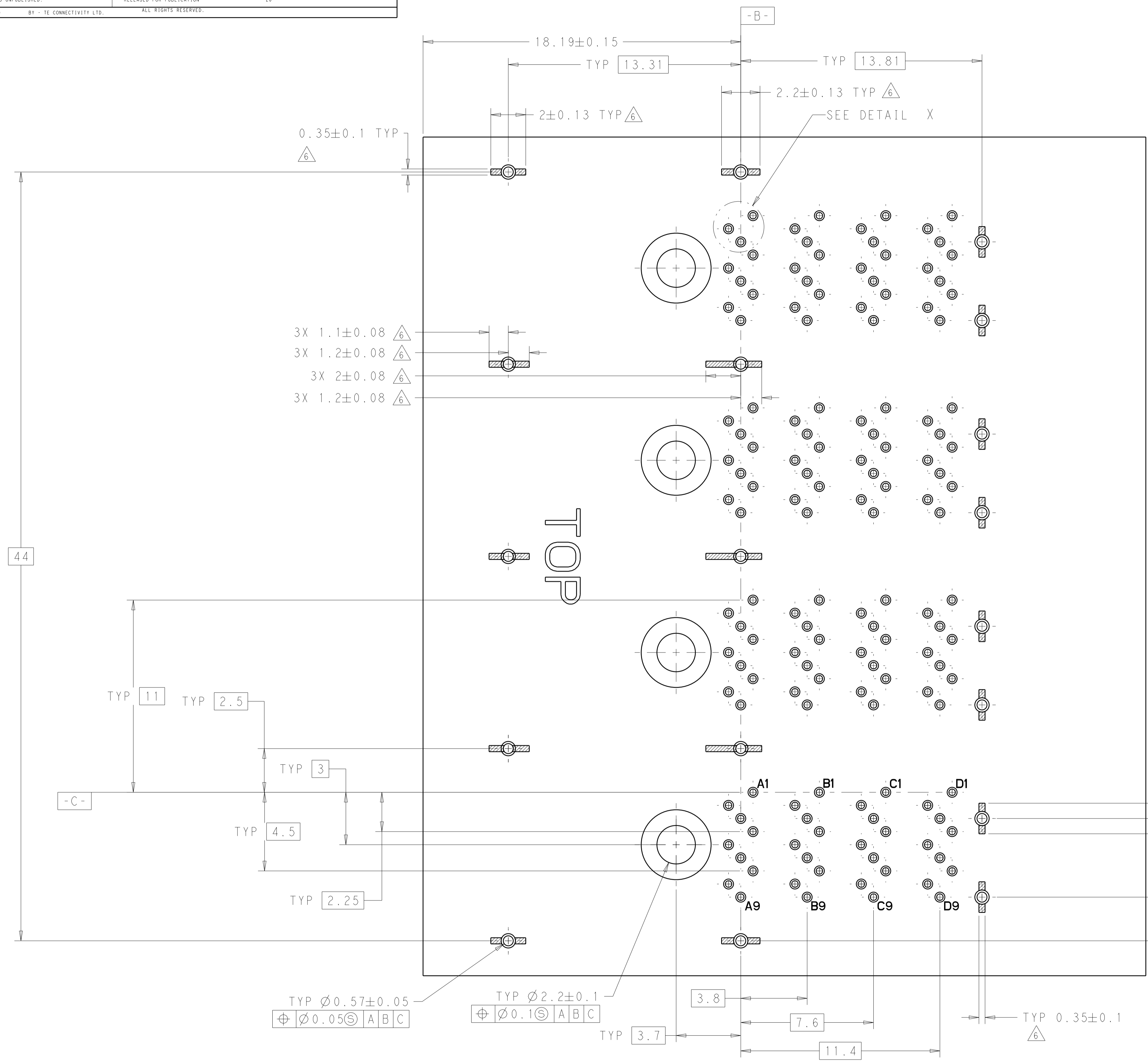


M2 X .4
 THREAD

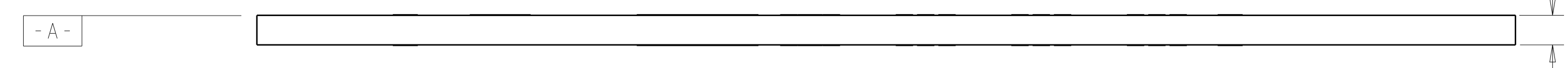
2149375-1
 PART NUMBER

THIS DRAWING IS A CONTROLLED DOCUMENT.		DWN P. KERLIN CHK J. SECHRIST	06DEC2010 06DEC2010	TE Connectivity NAME RECEPTACLE ASSEMBLY, MINI-SAS HD, 4X	
DIMENSIONS:		TOLERANCES UNLESS OTHERWISE SPECIFIED:		PRODUCT SPEC 108-2462 APPLICATION SPEC 114-13316 WEIGHT CUSTOMER DRAWING	
mm	0 PLC ±	1 PLC ±	2 PLC ±	3 PLC ±	4 PLC ±
	ANGLES ±	FINISH ±			
MATERIAL		FINISH		SIZE A1	CAGE CODE C=2149375
				RESTRICTED TO	SCALE 6:1
				SHEET 1	OF 3
				REV 10	

LOC		DIST		REVISIONS			
P	LYR	DESCRIPTION	DATE	DMN	APVD		
AG	00	SEE SHEET 1					

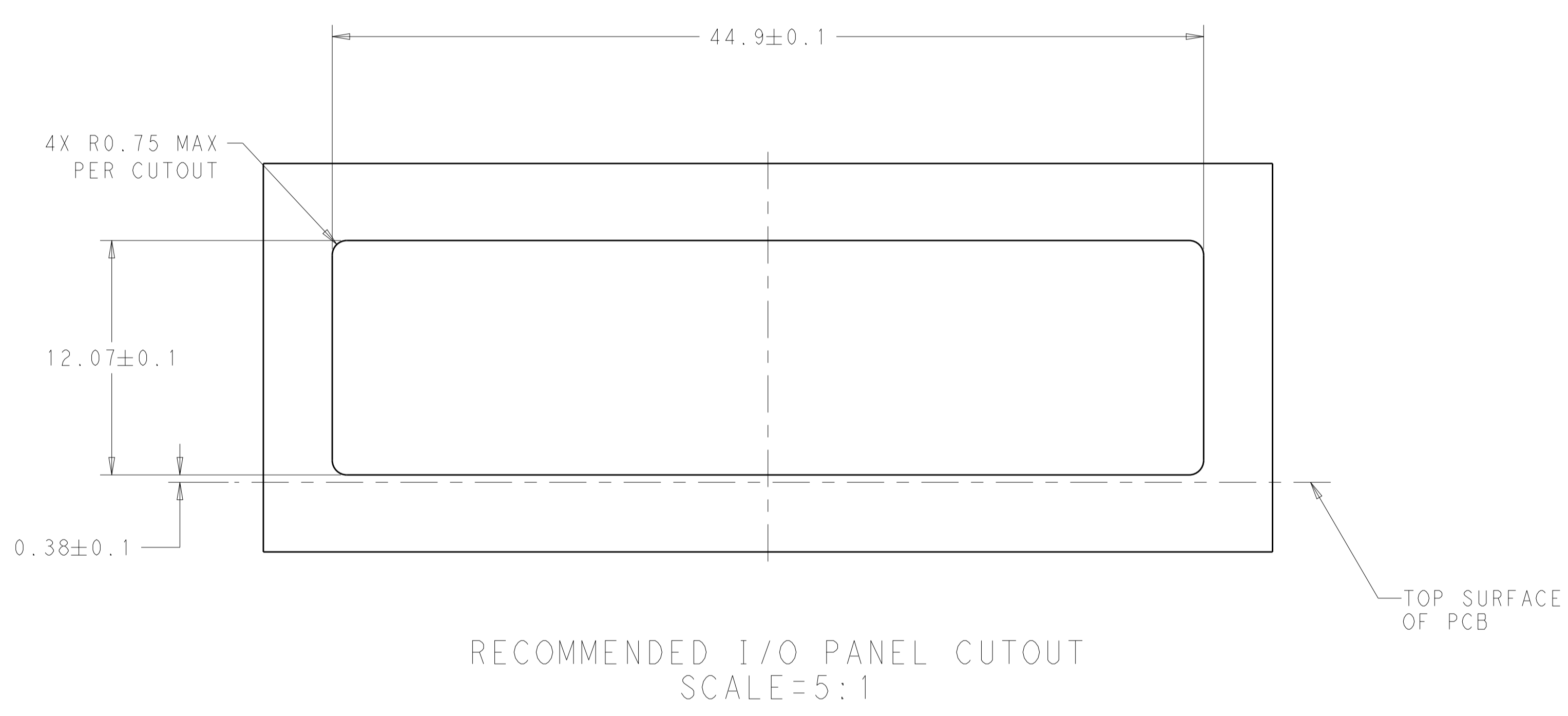


RECOMMENDED PCB LAYOUT

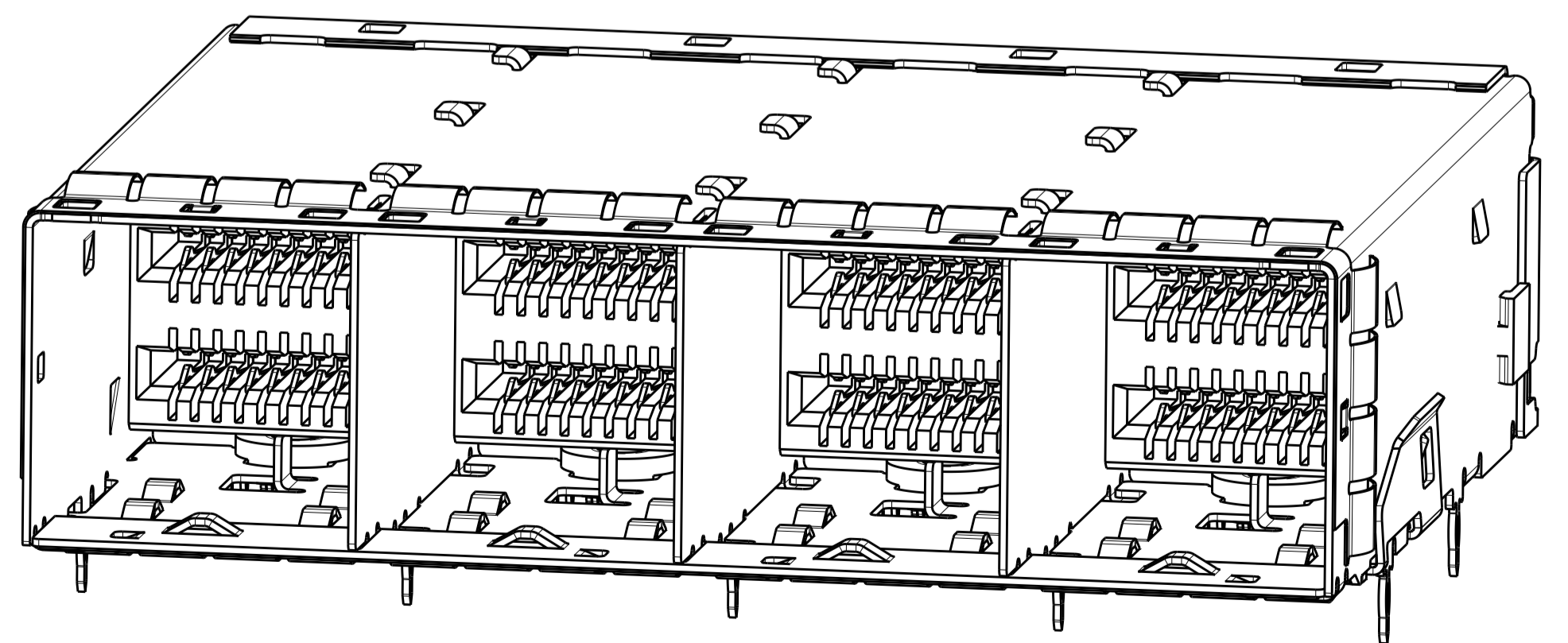
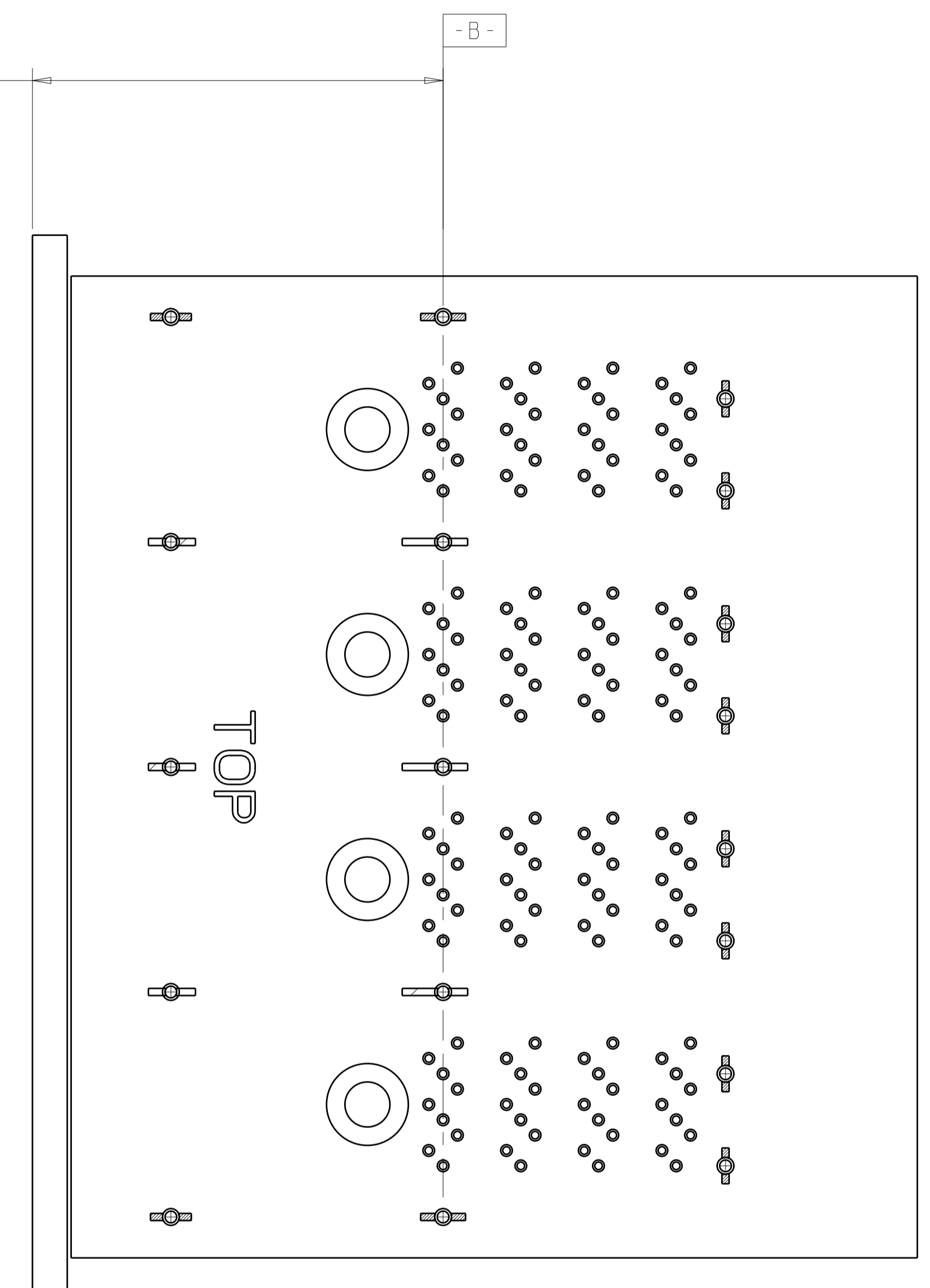


THIS DRAWING IS A CONTROLLED DOCUMENT.		DMN P. KERLIN 06DEC2010	TE Connectivity NAME RECEPTACLE ASSEMBLY, MINI-SAS HD, 4X
DIMENSIONS: mm		CHK J. SECHRIST	
TOLERANCES UNLESS OTHERWISE SPECIFIED:		APVD	PRODUCT SPEC 108-2462
0 PLC ±	1 PLC ±	APPLICATION SPEC	SIZE CAGE CODE DRAWING NO
2 PLC ±	3 PLC ±	114-13316	RESTRICTED TO
4 PLC ±	ANGLES ±	WEIGHT	A100779C=2149375
MATERIAL	FINISH	CUSTOMER DRAWING	SCALE 6:1 SHEET 2 OF 3 REV 10

LOC	DIST	REVISIONS			
P	LTN	DESCRIPTION	DATE	DWN	APVD
-	-	SEE SHEET 1	-	-	-



19 PCI APPLICATION
 20.08 ALL OTHER APPLICATIONS



THIS DRAWING IS A CONTROLLED DOCUMENT.		DWN P. KERLIN CHK J. SECHRIST	06DEC2010 06DEC2010	
DIMENSIONS:		TOLERANCES UNLESS OTHERWISE SPECIFIED:		
mm	0 PLC ±	PRODUCT SPEC		NAME RECEPTACLE ASSEMBLY, MINI-SAS HD, 4X
	1 PLC ±	108-2462		
	2 PLC ±	APPLICATION SPEC		SIZE CAGE CODE DRAWING NO RESTRICTED TO A100779C=2149375
	3 PLC ±	114-13316		
	4 PLC ±	WEIGHT		SCALE 6:1 SHEET 3 OF 3 REV 10
	ANGLES ±	FINISH		
MATERIAL		CUSTOMER DRAWING		