



Chipsmall Limited consists of a professional team with an average of over 10 year of expertise in the distribution of electronic components. Based in Hongkong, we have already established firm and mutual-benefit business relationships with customers from,Europe,America and south Asia,supplying obsolete and hard-to-find components to meet their specific needs.

With the principle of "Quality Parts,Customers Priority,Honest Operation,and Considerate Service",our business mainly focus on the distribution of electronic components. Line cards we deal with include Microchip,ALPS,ROHM,Xilinx,Pulse,ON,Everlight and Freescale. Main products comprise IC,Modules,Potentiometer,IC Socket,Relay,Connector.Our parts cover such applications as commercial,industrial, and automotives areas.

We are looking forward to setting up business relationship with you and hope to provide you with the best service and solution. Let us make a better world for our industry!



Contact us

Tel: +86-755-8981 8866 Fax: +86-755-8427 6832

Email & Skype: info@chipsmall.com Web: www.chipsmall.com

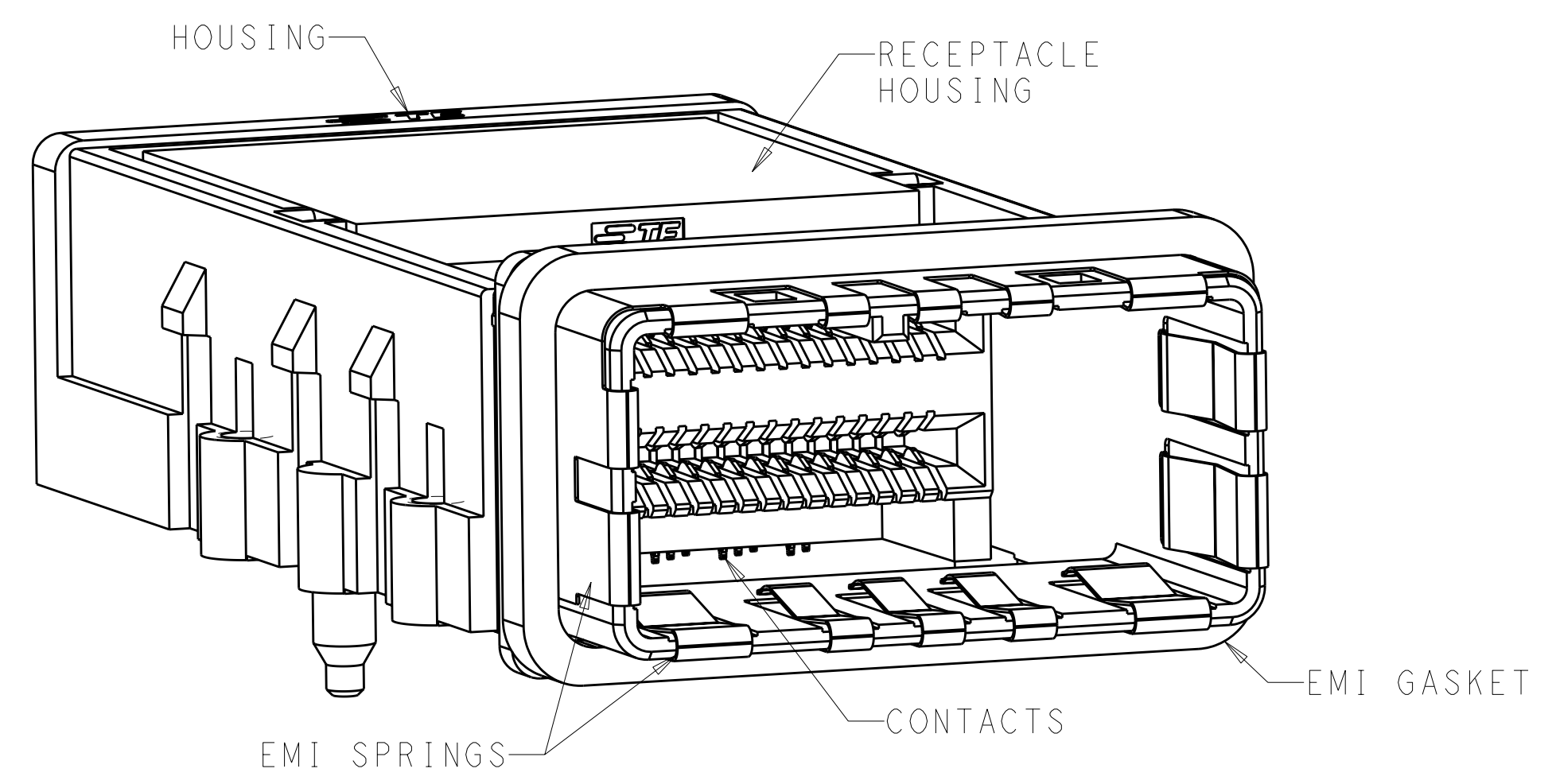
Address: A1208, Overseas Decoration Building, #122 Zhenhua RD., Futian, Shenzhen, China



THIS DRAWING IS UNPUBLISHED. RELEASED FOR PUBLICATION 20
 © COPYRIGHT 20 BY - ALL RIGHTS RESERVED.

LOC	DIST	REVISIONS					
GP	00	P	LTR	DESCRIPTION	DATE	DWN	APVD
		2		REMOVED -3 AND -4	15NOV2010	MEC	MDM
		3		REVISED	02MAY2011	MEC	MDM
		4		OBSOLETE 2149448-2	21SEP2011	MEC	MDM

1. MATERIALS:
 HOUSING - NICKEL PLATED ZINC ALLOY PER ASTM B 240
 COVER, HOUSING - STAINLESS STEEL.
 EMI GASKET - SILVER PLATED URETHANE
 RECEPTACLE HOUSING - LCP, BLACK, UL 94V-0 RATED
 CHICKLET - LCP, BLACK, UL 94V-0 RATED
 CONTACT - PHOSPHOR BRONZE PER ASTM B 103
 EMI SPRING - COPPER ALLOY
- △2 CONTACT FINISH:
 CONFORMS TO THE REQUIREMENTS OF TYCO ELECTRONICS
 PRODUCT SPECIFICATION 108-2426, BASED ON EIA/ECA-364-1000.01A,
 (CONTROLLED ENVIRONMENT APPLICATIONS) ON MATING INTERFACE,
 TIN ON NEEDLE EYE
- △3 NOTE DELETED
4. PCB THICKNESS = 1.57 MIN
- △5 FOR HOLE SIZE AND PLATINGS, SEE APPLICATION SPEC 114-13283
- △6 THE ENTIRE AREA OF THE CONNECTOR FOOTPRINT, INDICATED
 BY CROSSHATCHING, TO BE CONSIDERED THE KEEPOUT AREA FOR
 COMPONENTS AND SIGNAL TRACES, TOP SIDE ONLY, TOP SIDE
 TRACES ALLOWED WITHIN CONNECTOR HOLE PATTERN, CROSSHATCHING
 TO BE CONDUCTIVE
7. MOUNTING HARDWARE REQUIRED:
 M2X0.4 (4) - MOUNTING SCREW LENGTH = BOARD THICKNESS + 4mm MAX



2149448-1
 SCALE 5:1

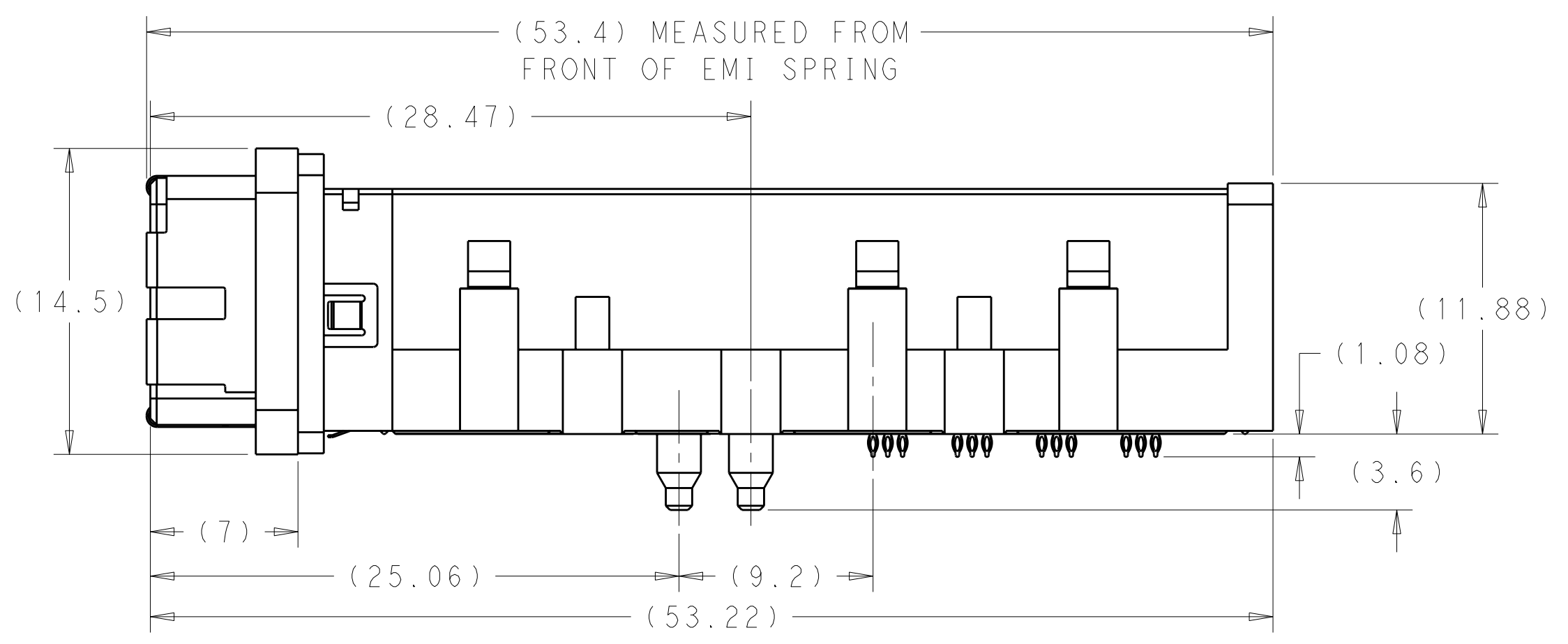
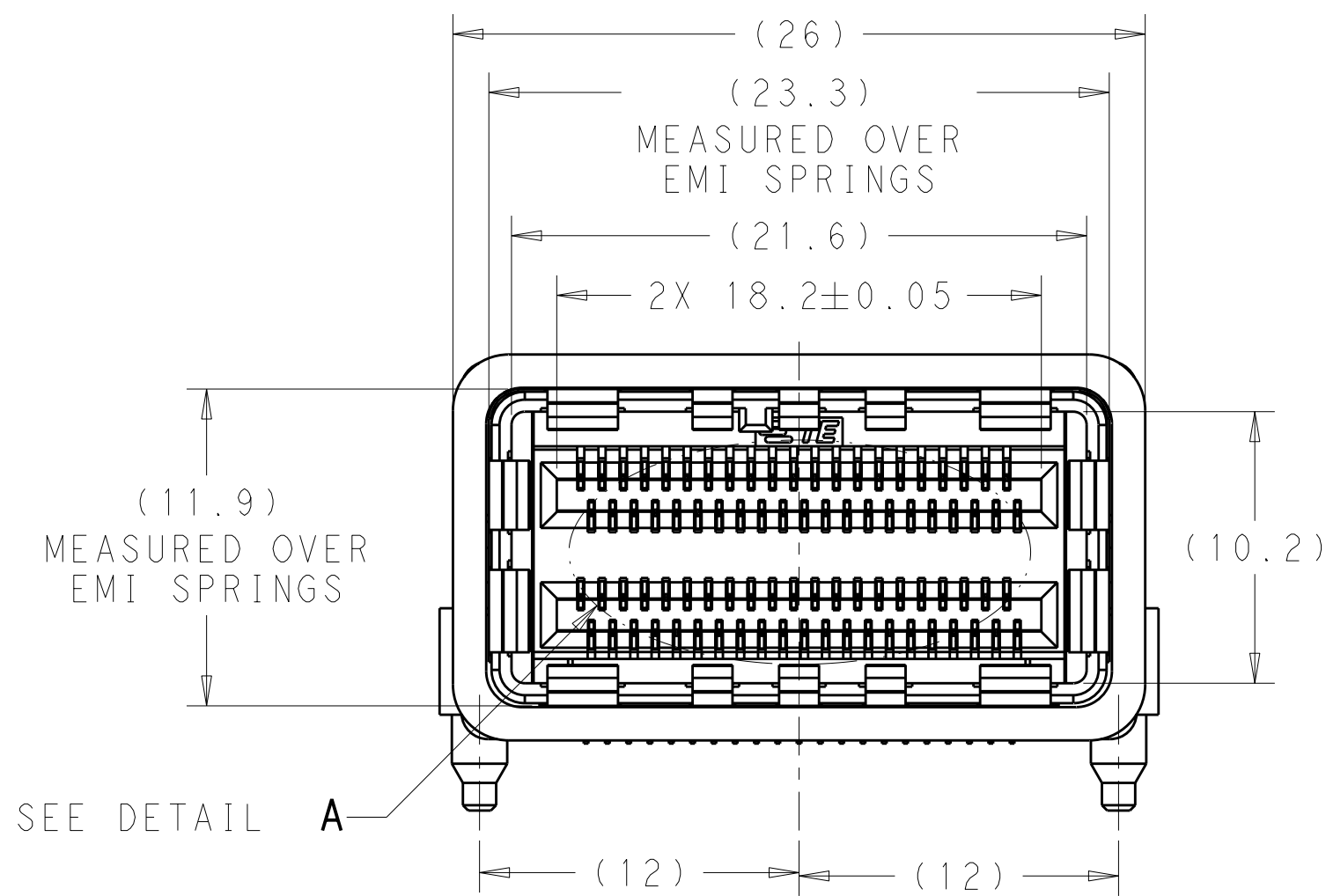
OBSOLETE	△3	84 POSITION RECEPTACLE HOUSING SUB-ASSEMBLY	2149448-2
	△2	84 POSITION RECEPTACLE HOUSING SUB-ASSEMBLY	2149448-1
FINISH		DESCRIPTION	PART NUMBER

PRELIMINARY PART- NOT RELEASED FOR PRODUCTION

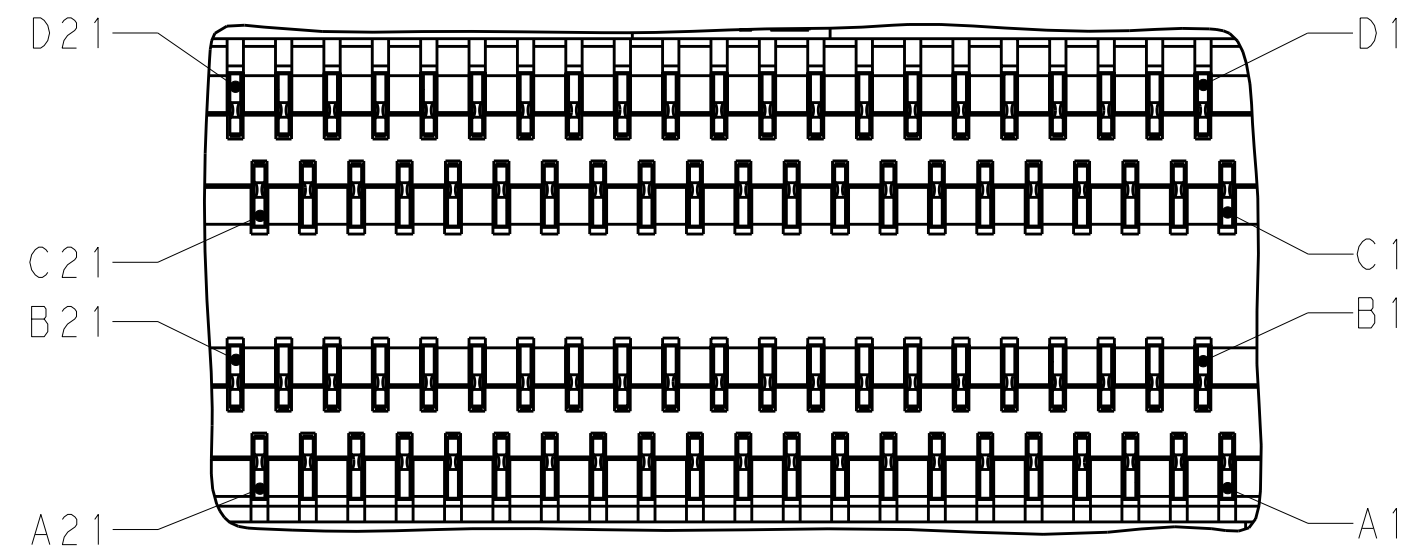
THIS DRAWING IS A CONTROLLED DOCUMENT.		DWN	03AUG2010	STE TE Connectivity
DIMENSIONS: mm		CHK	03AUG2010	
TOLERANCES UNLESS OTHERWISE SPECIFIED:		APVD	03AUG2010	
0 PLC ±0.25		NAME	M. D. MORRISON	
1 PLC ±0.25		PRODUCT SPEC		RECEPTACLE HOUSING SUB-ASSEMBLY
2 PLC ±0.25		APPLICATION SPEC		84 POSITION, CXP
3 PLC ±0.25		WEIGHT		SIZE
4 PLC ±0.25		CUSTOMER DRAWING		CAGE CODE
ANGLES ±0.5		SCALE	2:1	DRAWING NO
FINISH		SHEET	1	RESTRICTED TO
SEE NOTES	SEE TABLE	OF	3	REV
		REV	4	

THIS DRAWING IS UNPUBLISHED. RELEASED FOR PUBLICATION 20
 © COPYRIGHT 20 BY - ALL RIGHTS RESERVED.

LOC	DIST	REVISIONS			
P	LTR	DESCRIPTION	DATE	DWN	APVD
GP	00	-	SEE SHEET 1	-	-



2149448-1
 SCALE 4:1



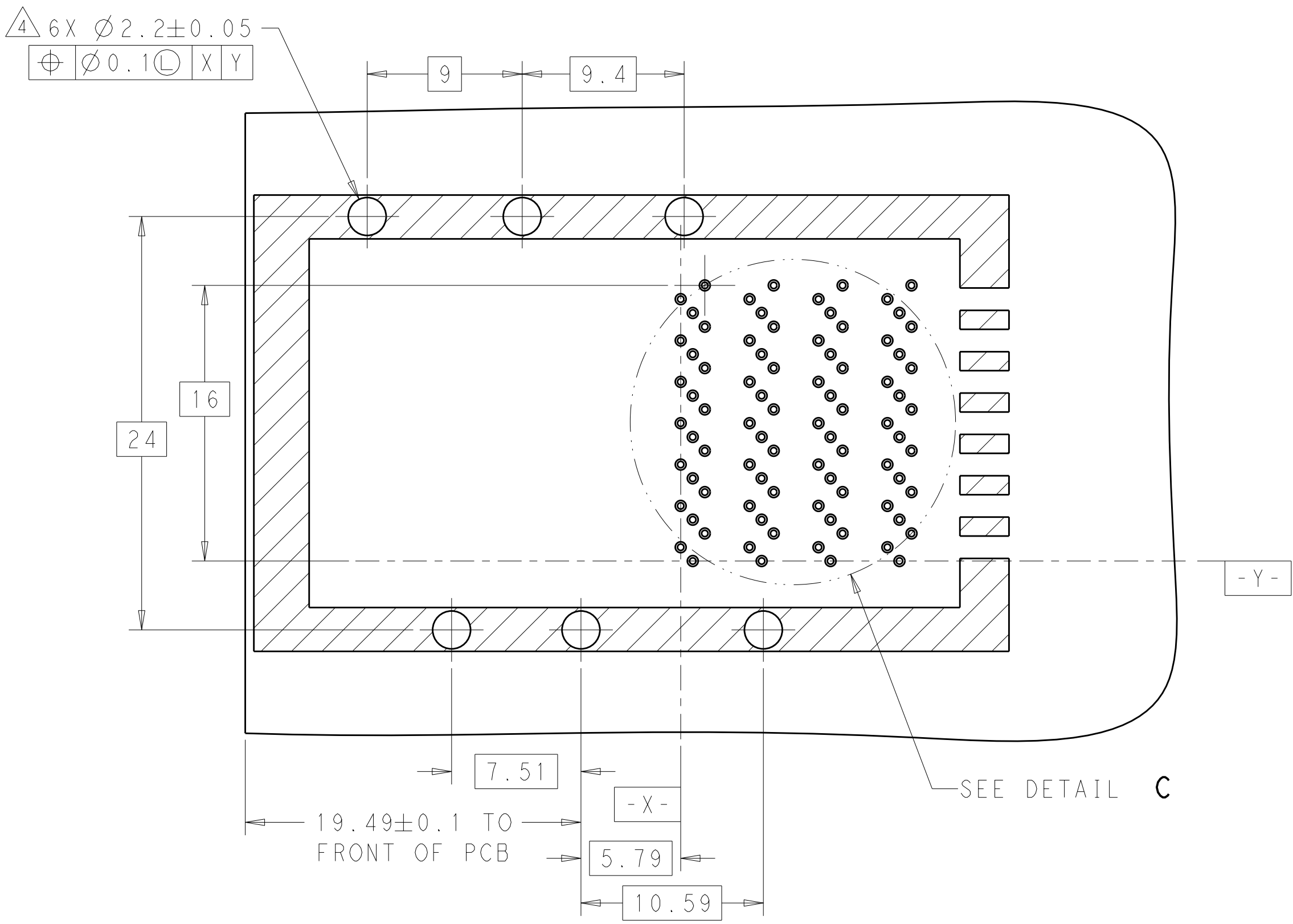
DETAIL A
 RECOMMENDED PIN CALLOUT
 SCALE 8:1

PRELIMINARY PART- NOT RELEASED FOR PRODUCTION

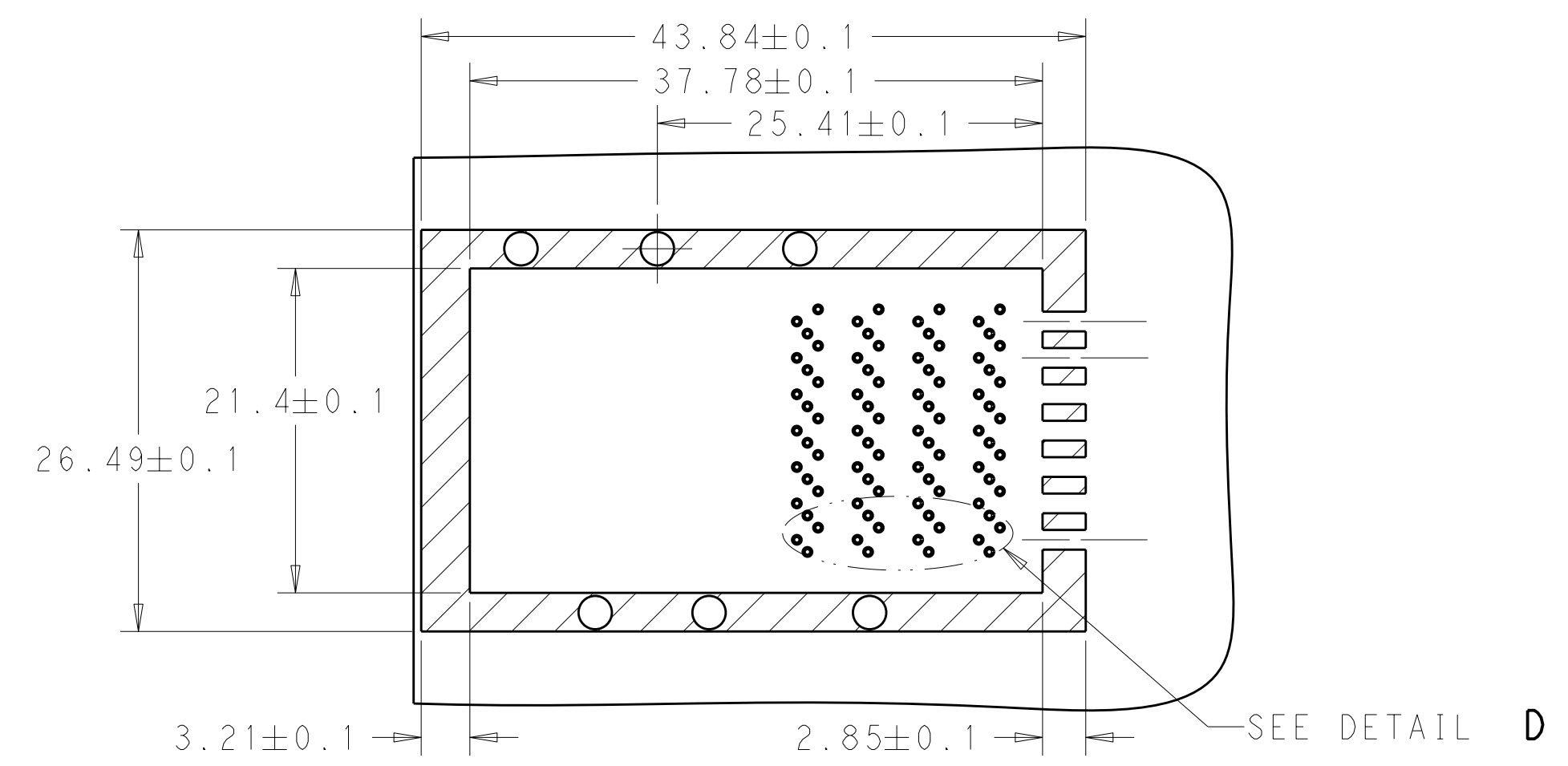
THIS DRAWING IS A CONTROLLED DOCUMENT.		DWN M.E. COWHER 03AUG2010	TE Connectivity	
DIMENSIONS: mm		CHK M.D. MORRISON 03AUG2010		
TOLERANCES UNLESS OTHERWISE SPECIFIED:		APVD M.D. MORRISON 03AUG2010	NAME RECEPTACLE HOUSING SUB-ASSEMBLY 84 POSITION, CXP	
0 PLC ±0.25 1 PLC ±0.25 2 PLC ±0.25 3 PLC ±0.25 4 PLC ±0.25 ANGLES ±0.5 FINISH		PRODUCT SPEC -	SIZE A200779	DRAWING NO C-2149448
MATERIAL		APPLICATION SPEC -	RESTRICTED TO -	
SEE NOTES		WEIGHT -	SCALE 2:1 SHEET 2 OF 3 REV 4	
SEE TABLE		CUSTOMER DRAWING		

THIS DRAWING IS UNPUBLISHED. RELEASED FOR PUBLICATION 20
 © COPYRIGHT 20 BY - ALL RIGHTS RESERVED.

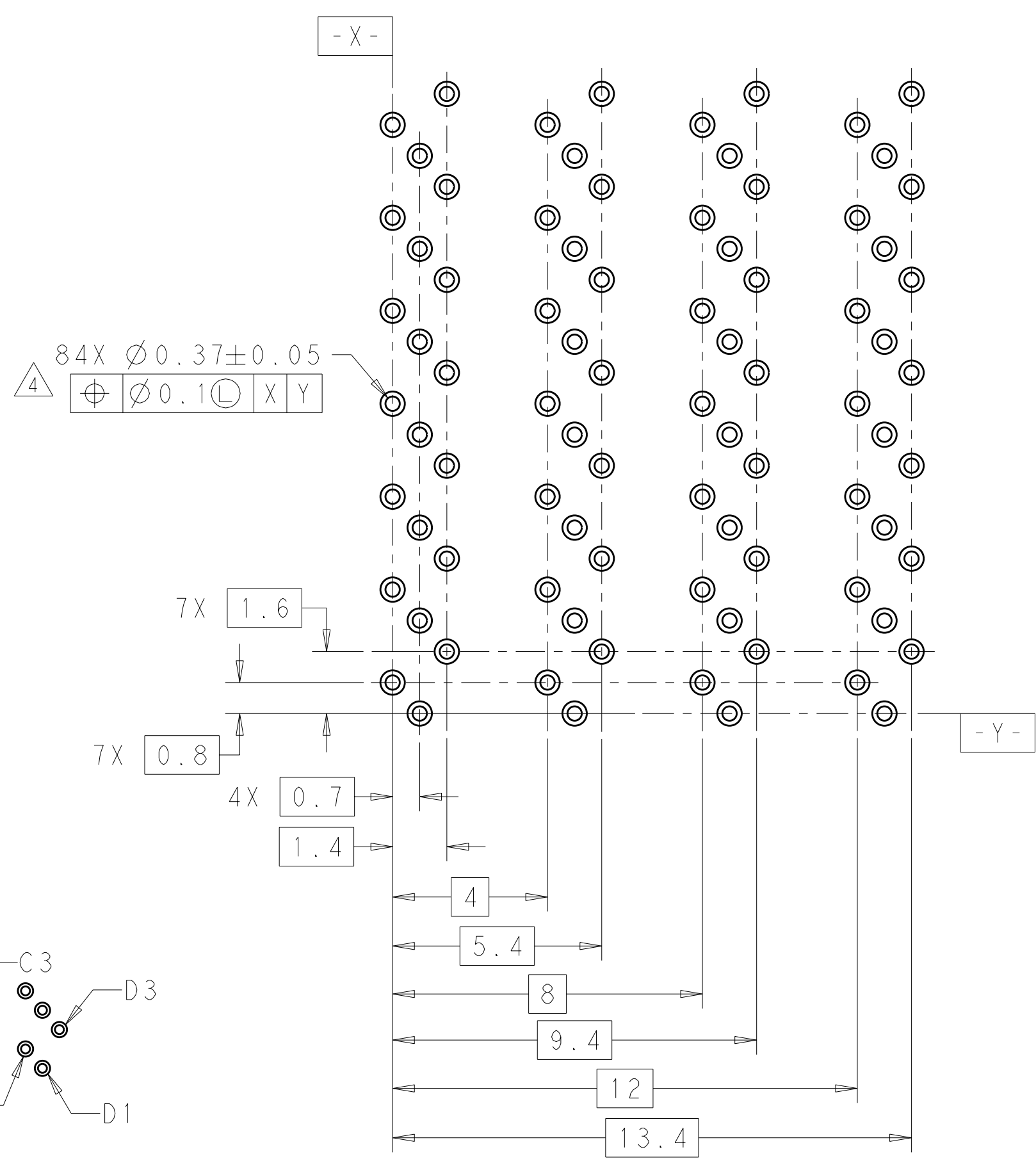
REVISIONS					
P	LTR	DESCRIPTION	DATE	DWN	APVD
-	-	SEE SHEET 1	-	-	-



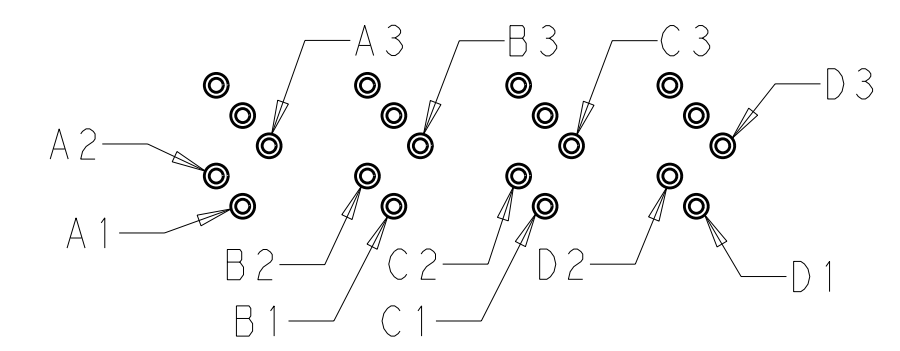
RECOMMENDED PCB LAYOUT
 COMPONENT SIDE SHOWN
 SCALE 4:1



RECOMMENDED KEEPOUT AREA
 SCALE 5:2



RECOMMENDED CONNECTOR LAYOUT
 SCALE 8:1



DETAIL D
 PIN CALLOUT (TYPICAL)
 SCALE 5:1

PRELIMINARY PART- NOT RELEASED FOR PRODUCTION

THIS DRAWING IS A CONTROLLED DOCUMENT.		DWN M. E. COWHER 03AUG2010	TE Connectivity	
DIMENSIONS: mm		CHK M. D. MORRISON 03AUG2010		
TOLERANCES UNLESS OTHERWISE SPECIFIED:		APVD M. D. MORRISON 03AUG2010	NAME RECEPTACLE HOUSING SUB-ASSEMBLY 84 POSITION, CXP	
0 PLC ±0.25		PRODUCT SPEC	SIZE A200779C-2149448	
1 PLC ±0.25		APPLICATION SPEC	CAGE CODE C-2149448	
2 PLC ±0.25		WEIGHT	DRAWING NO 2149448	
3 PLC ±0.25		RESTRICTED TO	SCALE 2:1	
4 PLC ±0.25			SHEET 3 OF 3	
ANGLES ±0.5			REV 4	
FINISH				
SEE NOTES		CUSTOMER DRAWING		