



Chipsmall Limited consists of a professional team with an average of over 10 year of expertise in the distribution of electronic components. Based in Hongkong, we have already established firm and mutual-benefit business relationships with customers from,Europe,America and south Asia,supplying obsolete and hard-to-find components to meet their specific needs.

With the principle of “Quality Parts,Customers Priority,Honest Operation,and Considerate Service”,our business mainly focus on the distribution of electronic components. Line cards we deal with include Microchip,ALPS,ROHM,Xilinx,Pulse,ON,Everlight and Freescale. Main products comprise IC,Modules,Potentiometer,IC Socket,Relay,Connector.Our parts cover such applications as commercial,industrial, and automotives areas.

We are looking forward to setting up business relationship with you and hope to provide you with the best service and solution. Let us make a better world for our industry!



Contact us

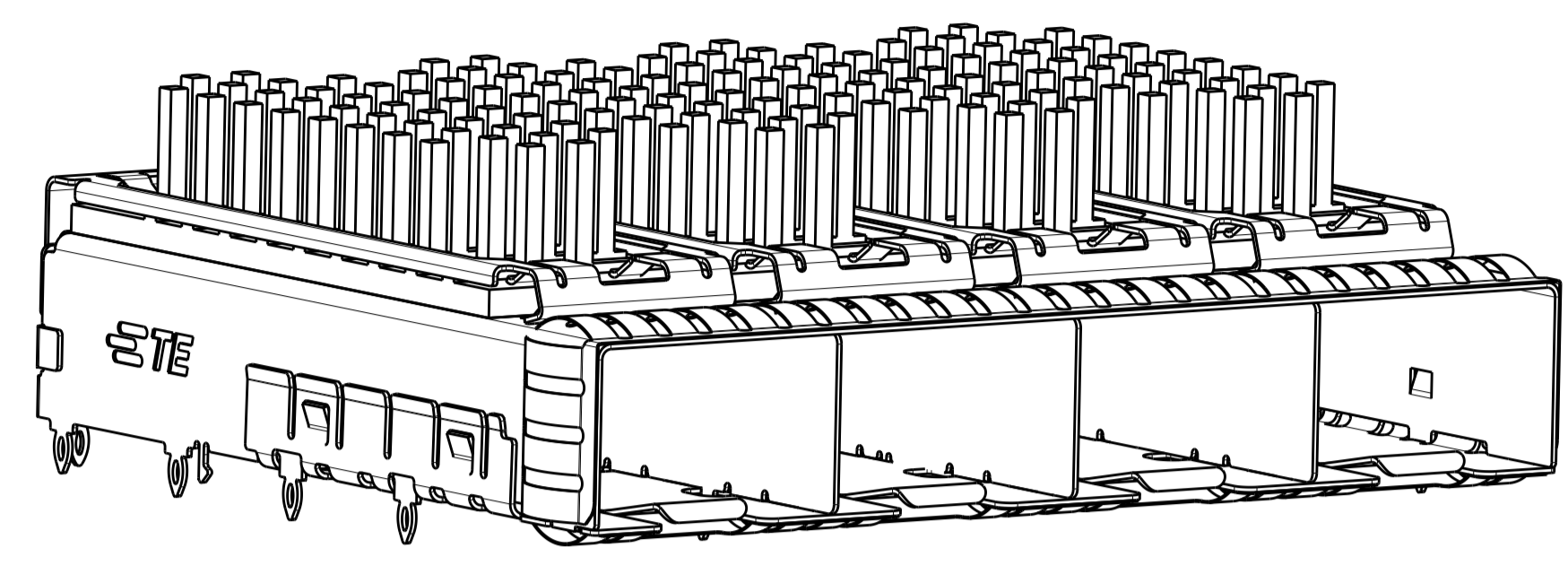
Tel: +86-755-8981 8866 Fax: +86-755-8427 6832

Email & Skype: info@chipsmall.com Web: www.chipsmall.com

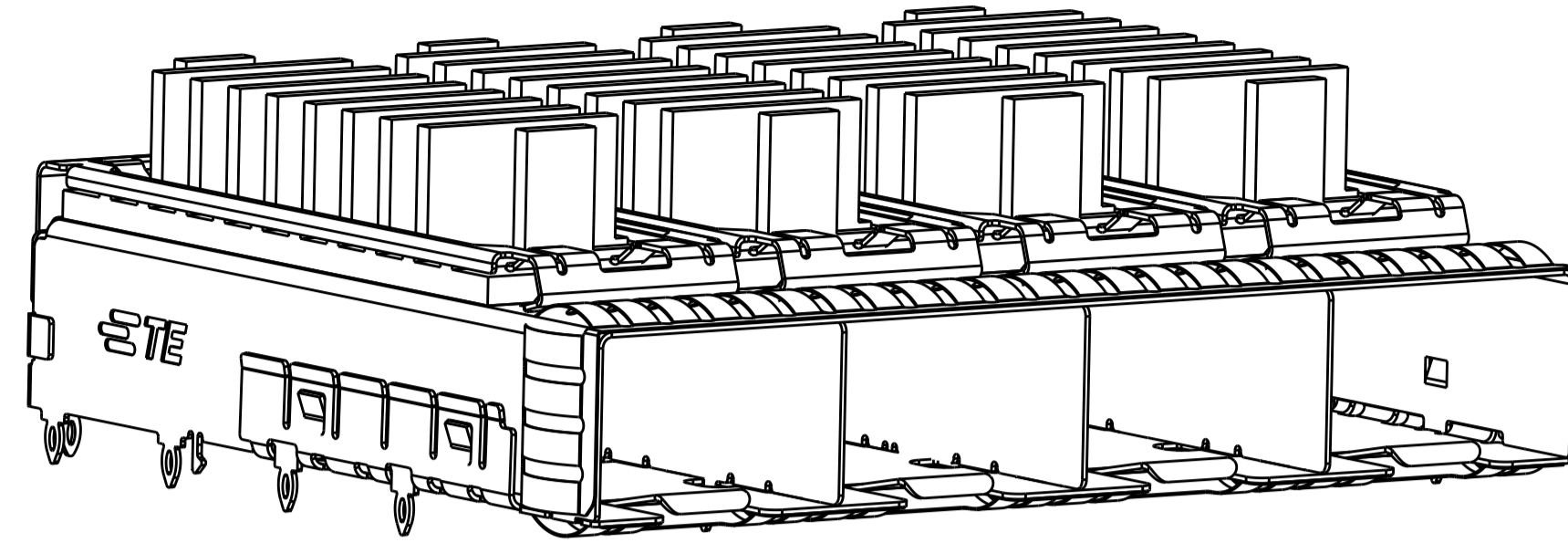
Address: A1208, Overseas Decoration Building, #122 Zhenhua RD., Futian, Shenzhen, China



LOC	DIST	REVISIONS					
GP	00	P	LTN	DESCRIPTION	DATE	DWN	APVD
		A		RELEASED PER ECO-12-013192	06NOV2012	BMM	MRS
		A1		RELEASED PER ECO-13-014600	11SEP2013	PP	SH
		A3		RELEASED PER ECO-15-006578	20APR2015	PP	SH

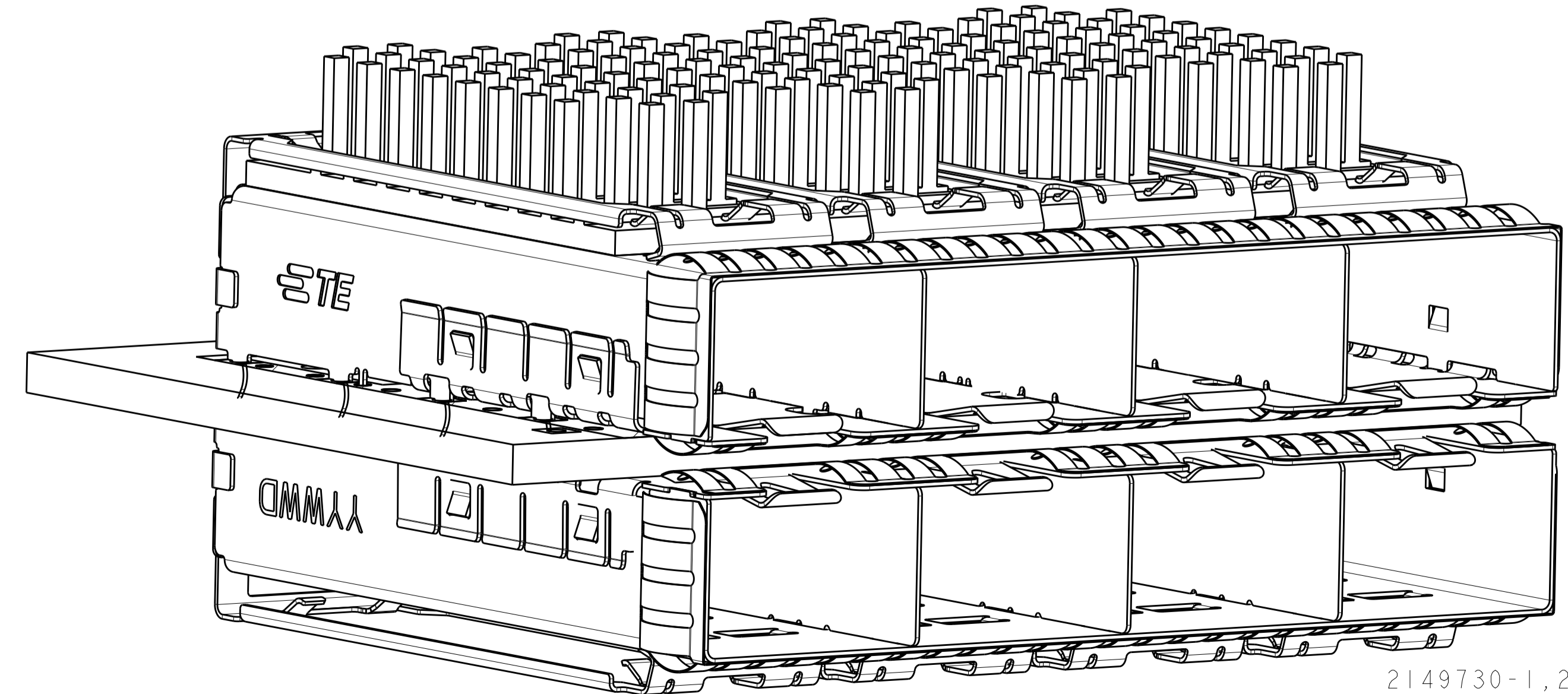
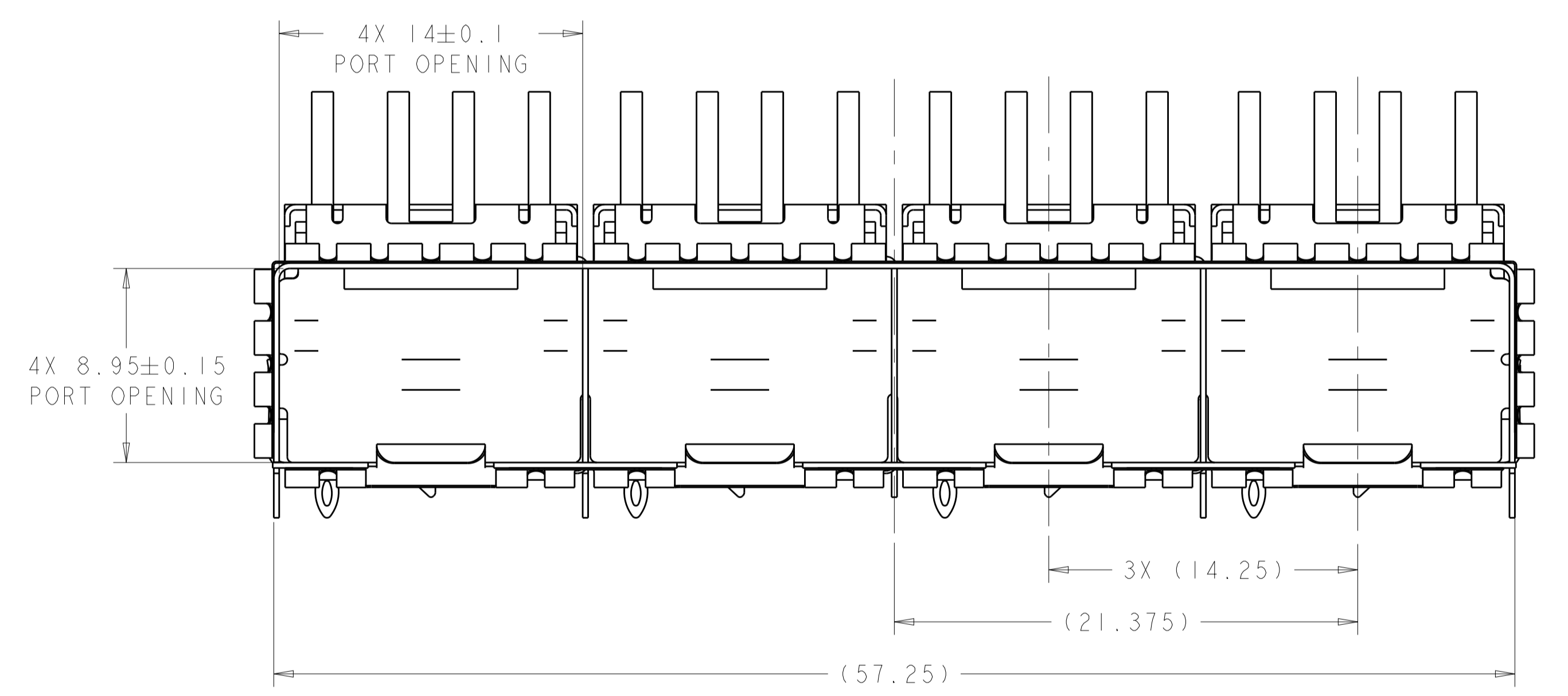
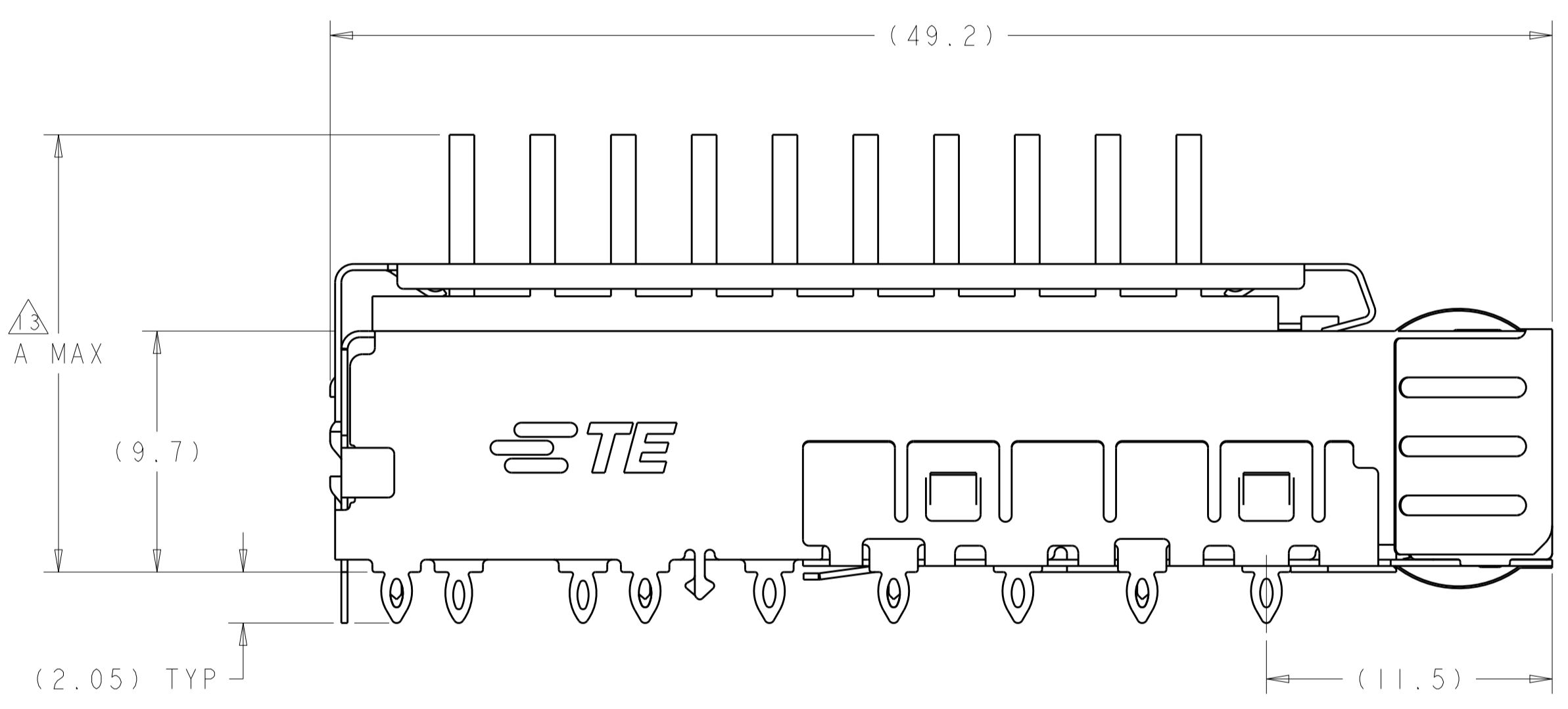


2149730-1,2,3,4,5
 FINISHED ASSEMBLY WITH
 PIN TYPE HEAT SINK



2149730-6,7,8,9,10
 FINISHED ASSEMBLY WITH
 FIN TYPE HEAT SINK

- 1. MATERIAL:
 CAGE ASSEMBLY: 0.25mm THICK NICKEL SILVER ALLOY
 HEATSINK CLIP: STAINLESS STEEL
 HEATSINK: ALUMINUM
- 2. FINISH:
 EMI SPRINGS: MINIMUM OF 0.8um TIN PLATE OVER A MINIMUM OF 0.8um NICKEL UNDERPLATE.
 NON-PLATED EDGES PERMISSIBLE.
 HEATSINK: ELECTROLESS NICKEL
 HEATSINK CLIP: PASSIVATE
- 3. PADS AND VIAS CHASSIS GROUND.
- 4. DATUM AND BASIC DIMENSION ESTABLISHED BY CUSTOMER.
- 5. MATES WITH SFP MSA COMPLIANT TRANSCEIVERS.
- 6. INTERPRETATION OF DATUM REFERENCE FRAME IN ACCORDANCE WITH SECT 4.4.1.1 OF ASME Y14.5M-1994.
- 7. REFERENCE APPLICATION SPEC. 114-13120, HOLE A, FOR RECOMMENDED DRILL HOLE DIAMETER AND PLATING THICKNESS.
- 8. REFERENCE APPLICATION SPEC. 114-13120, HOLE B, FOR RECOMMENDED DRILL HOLE DIAMETER AND PLATING THICKNESS.
- 9. HOLE PATTERN REPEATS FOR EACH PORT. SPACING BETWEEN PORTS IS 14.25mm.
- 10. MINIMUM PC BOARD THICKNESS:
 SINGLE SIDED = 1.50mm
 DOUBLE SIDED = 2.25mm
- 11. CERTAIN MATING TRANSCEIVERS MAY REQUIRE ADDITIONAL PCB THICKNESS THAT WOULD BE DETERMINED BY THE CUSTOMER.
- 12. PRODUCT COMPLIES WITH SPECIFICATION SFF-8433 IMPROVED PLUGGABLE FORM FACTOR FOR SFP+ GANGED CAGES.
- 13. DIMENSION APPLIES PRIOR TO INSERTION OF SFP MODULE



2149730-1,2,3,4,5
 MOUNTED BELLY TO BELLY ON PCB
 SCALE 4:1

FIN TYPE	DESCRIPTION	A MAX	APPLICATION	PART NUMBER
FIN TYPE	W/ INSULATING TAPE	22.5	NETWORKING, TALL	2149730-10
FIN TYPE	W/O INSULATING TAPE	22.5	NETWORKING, TALL	2149730-9
FIN TYPE	W/O INSULATING TAPE	15.5	SAN	2149730-8
FIN TYPE	W/O INSULATING TAPE	13.2	PCI	2149730-7
FIN TYPE	W/O INSULATING TAPE	18.1	NETWORKING, SHORT	2149730-6
PIN TYPE	W/ INSULATING TAPE	22.5	NETWORKING, TALL	2149730-5
PIN TYPE	W/O INSULATING TAPE	22.5	NETWORKING, TALL	2149730-4
PIN TYPE	W/O INSULATING TAPE	15.5	SAN	2149730-3
PIN TYPE	W/O INSULATING TAPE	13.2	PCI	2149730-2
PIN TYPE	W/O INSULATING TAPE	18.1	NETWORKING, SHORT	2149730-1

THIS DRAWING IS A CONTROLLED DOCUMENT.

DIMENSIONS: mm

TOLERANCES UNLESS OTHERWISE SPECIFIED:
 0 PLC ±0.1
 1 PLC ±0.1
 2 PLC ±0.1
 3 PLC ±0.1
 4 PLC ±0.1
 ANGLES ±1°

MATERIAL:

FINISH:

Customer Drawing

DWN: M. SCHMITT 23AUG2010
 CHK: M. SCHMITT 23AUG2010
 APVD: B. WERTZ 23AUG2010

NAME: SFP+ ENHANCED 1X4 CAGE ASSEMBLY PRESS FIT, EXTERNAL EMI SPRINGS WITH HEATSINK

PRODUCT SPEC: 108-2364
 APPLICATION SPEC: 114-13120

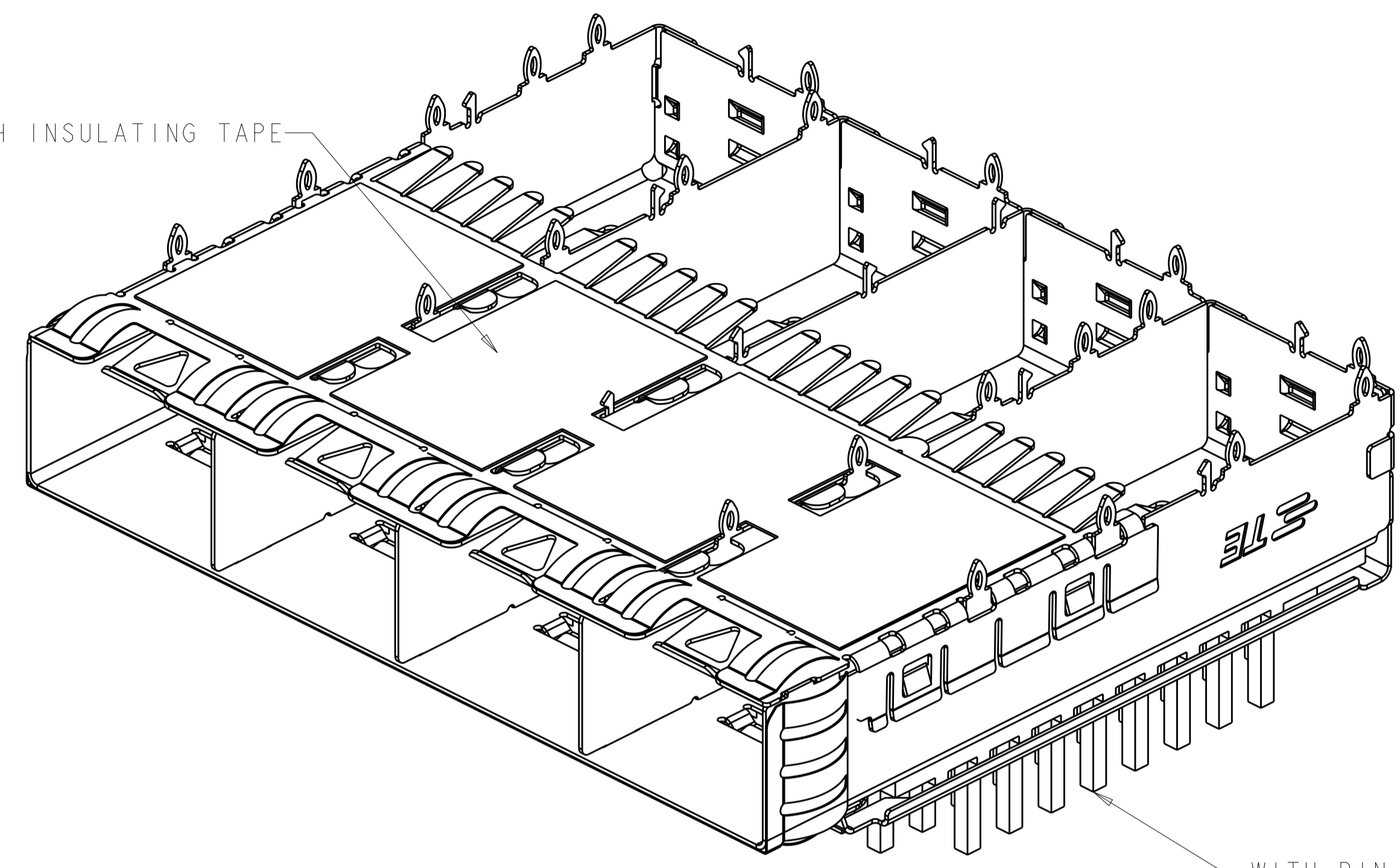
SIZE: A1
 CAGE CODE: 2149730
 DRAWING NO: 100779

RESTRICTED TO: -

SCALE: 5:1 SHEET: 1 OF 7 REV: A3

LOC	DIST	REVISIONS					
GP	00	P	LYR	DESCRIPTION	DATE	DWN	APVD
-	-	-	-	SEE SHEET 1	-	-	-

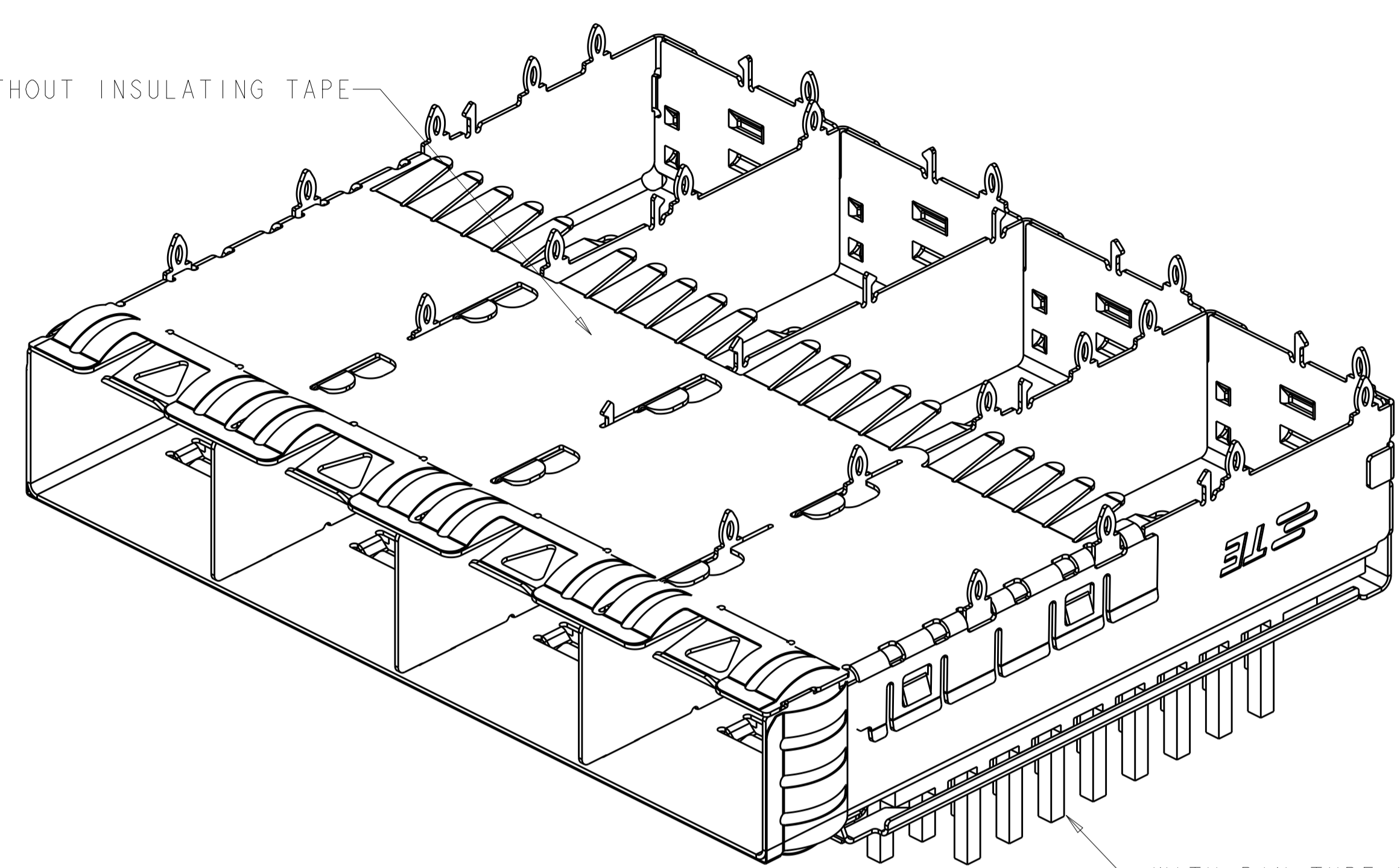
WITH INSULATING TAPE



WITH PIN TYPE HEAT SINK

2149730-5 AS SHOWN WITH INSULATING TAPE, WITH PIN TYPE HEAT SINK

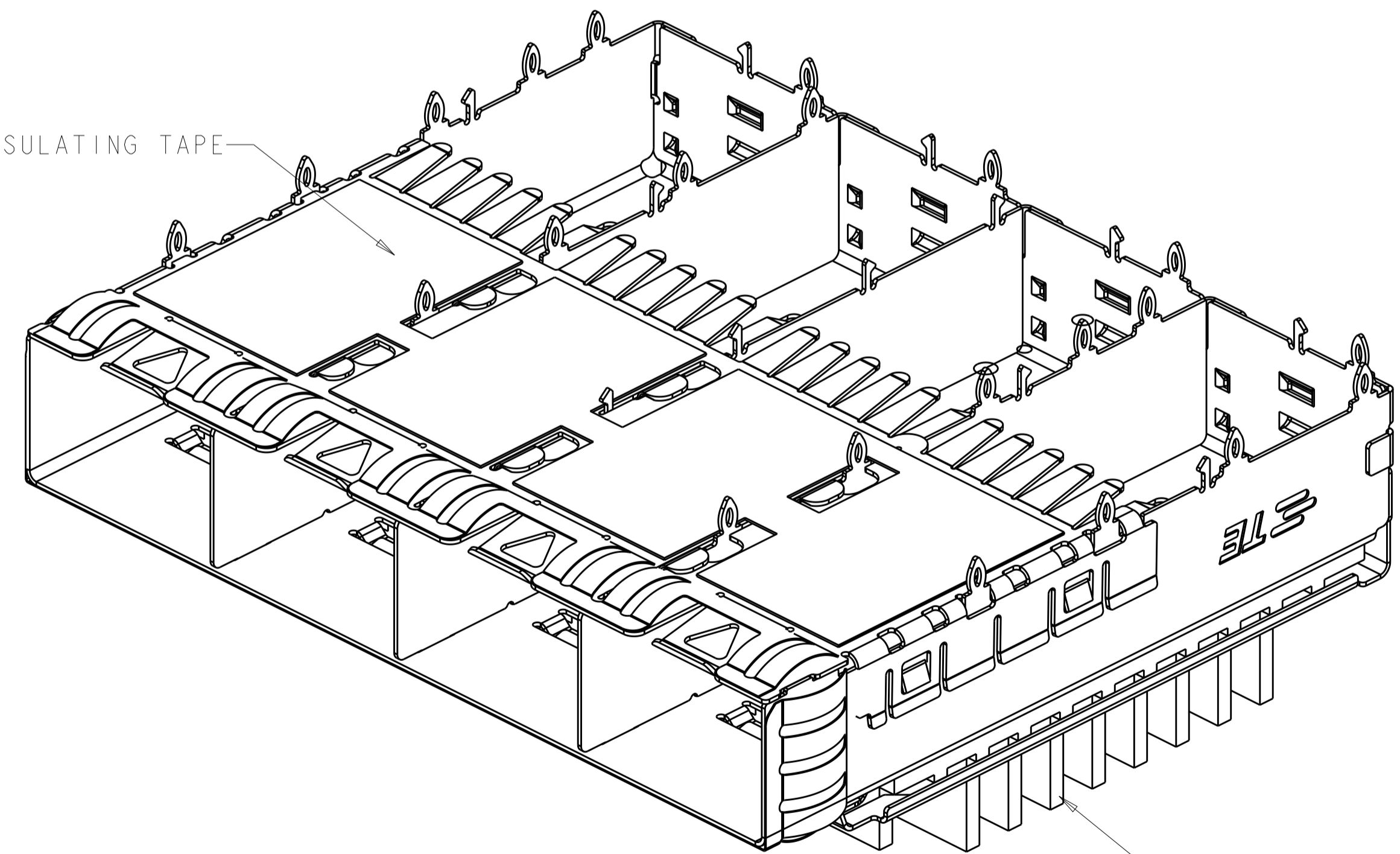
WITHOUT INSULATING TAPE



WITH PIN TYPE HEAT SINK

2149730-1,2,3,4 AS SHOWN WITHOUT INSULATING TAPE, WITH PIN TYPE HEAT SINK

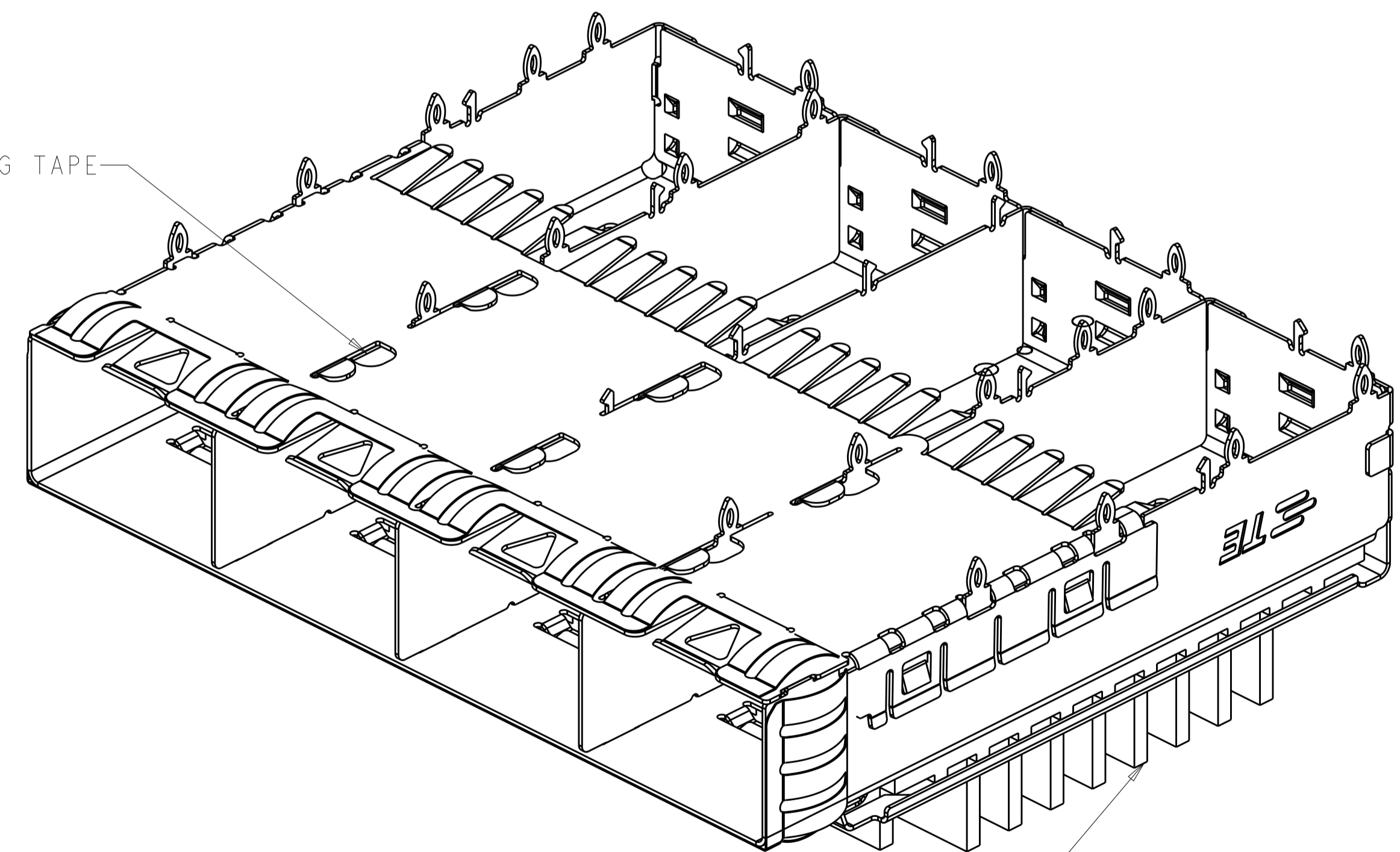
WITH INSULATING TAPE



WITH FIN TYPE HEAT SINK

2149730-10 AS SHOWN WITH INSULATING TAPE, WITH FIN TYPE HEAT SINK

WITHOUT INSULATING TAPE



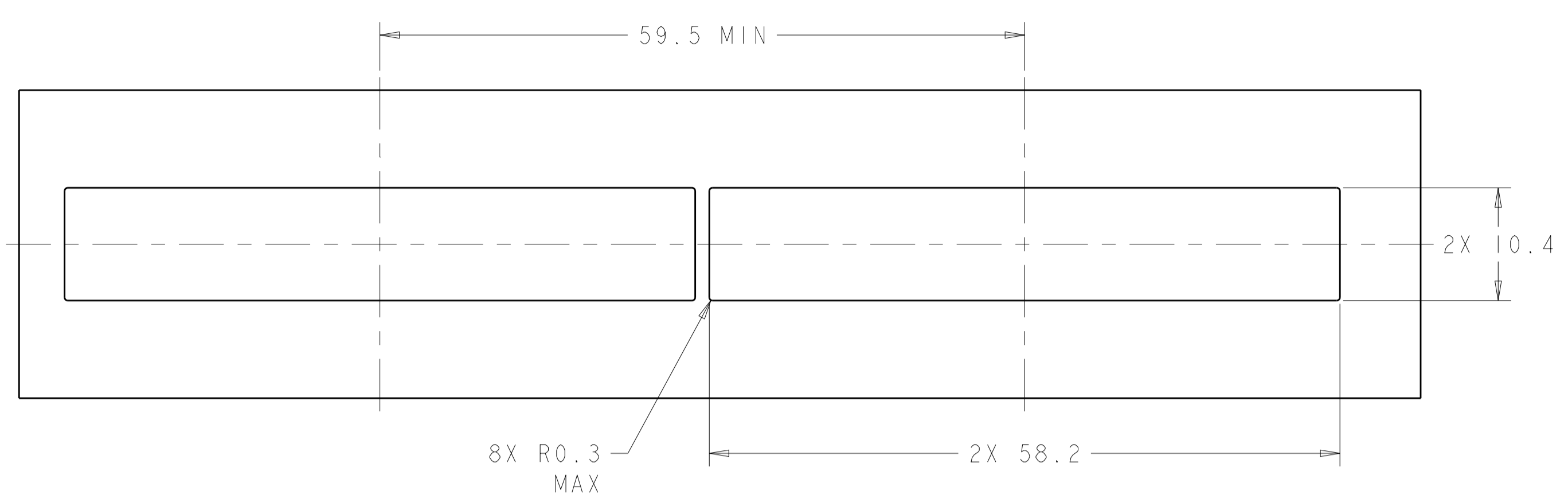
WITH FIN TYPE HEAT SINK

2149730-6,7,8,9 AS SHOWN WITHOUT INSULATING TAPE, WITH FIN TYPE HEAT SINK

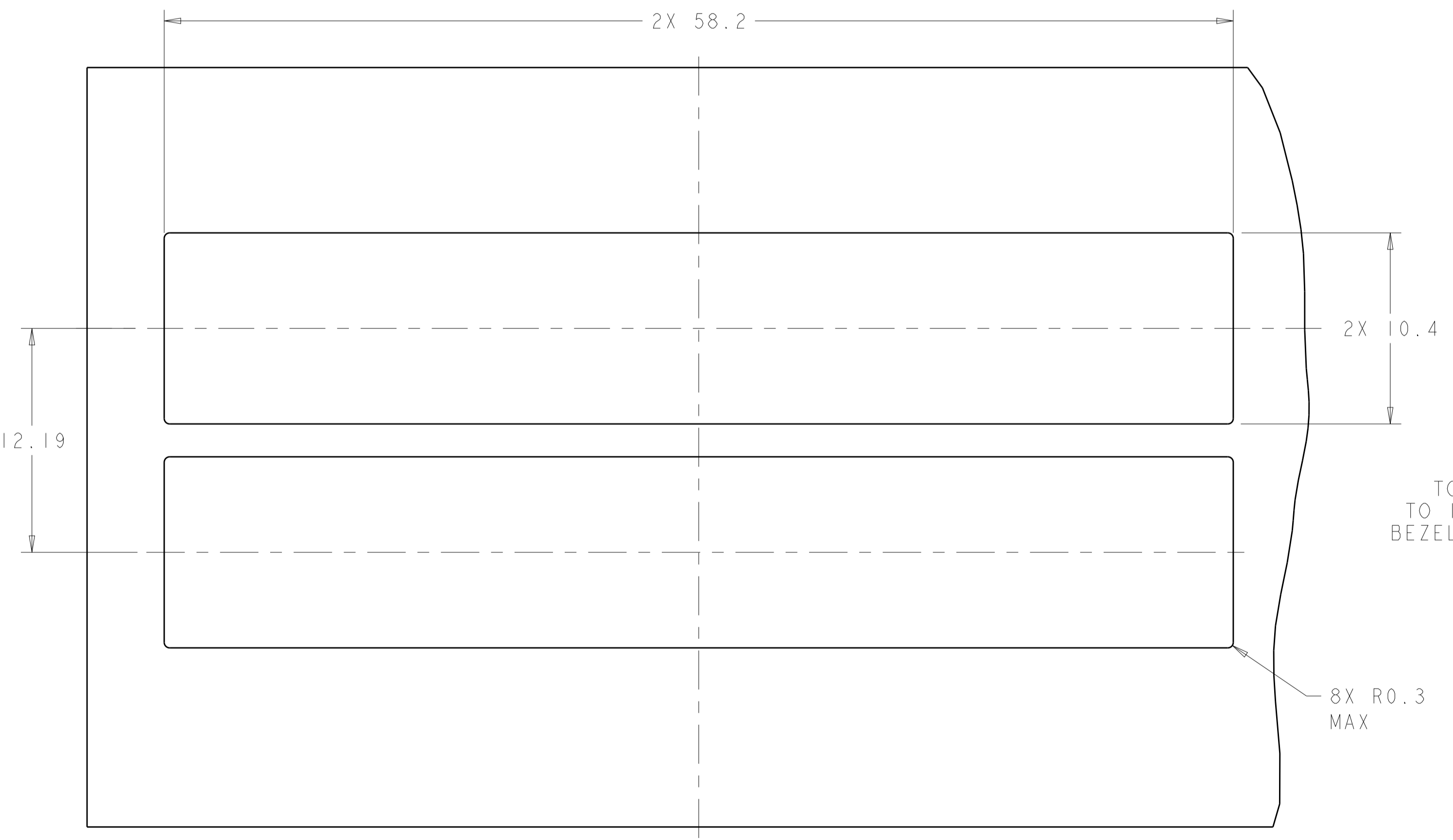
THIS DRAWING IS A CONTROLLED DOCUMENT.		DWN	M. SCHMITT	23AUG2010	STE TE Connectivity
DIMENSIONS:		CHK	M. SCHMITT	23AUG2010	
mm	TOLERANCES UNLESS OTHERWISE SPECIFIED:	APVD	B. WERTZ	23AUG2010	NAME SFP+ ENHANCED 1X4 CAGE ASSEMBLY PRESS FIT, EXTERNAL EMI SPRINGS WITH HEATSINK
0 PLC	±0.1	PRODUCT SPEC	108-2364	APPLICATION SPEC	
1 PLC	±0.1	SIZE	114-13120	WEIGHT	RESTRICTED TO
2 PLC	±0.1	SCALE	5:1	SHEET	2 OF 7
3 PLC	±0.1	REV	A3	REV	
4 PLC	±0.1	Customer Drawing			
ANGLES	±1°	Customer Drawing			
MATERIAL	FINISH	Customer Drawing			

LOC	DIST	REV	DATE	BY	APP'D
GP	00				

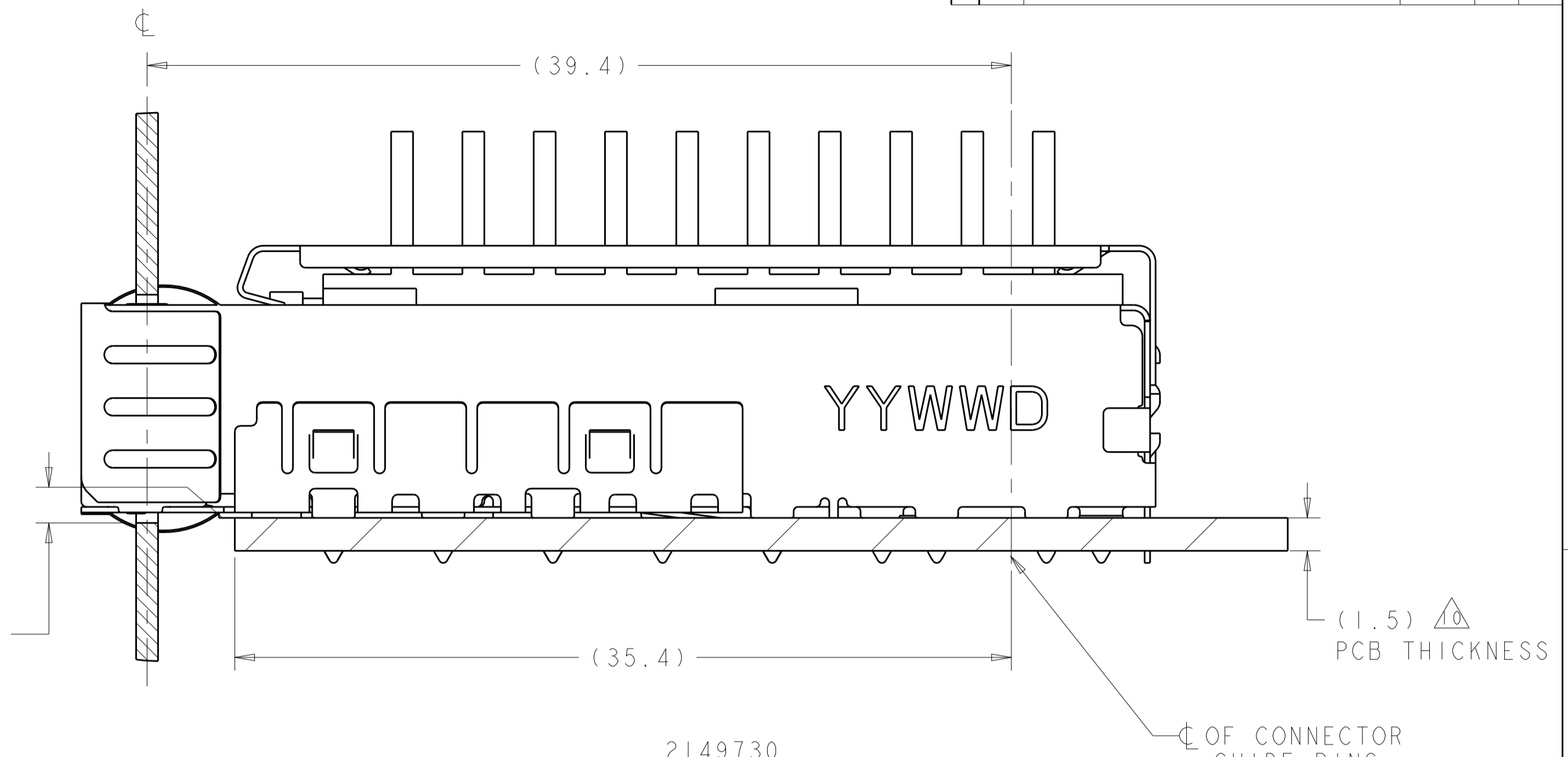
REVISIONS		DATE	BY	APP'D
-	SEE SHEET 1	-	-	-



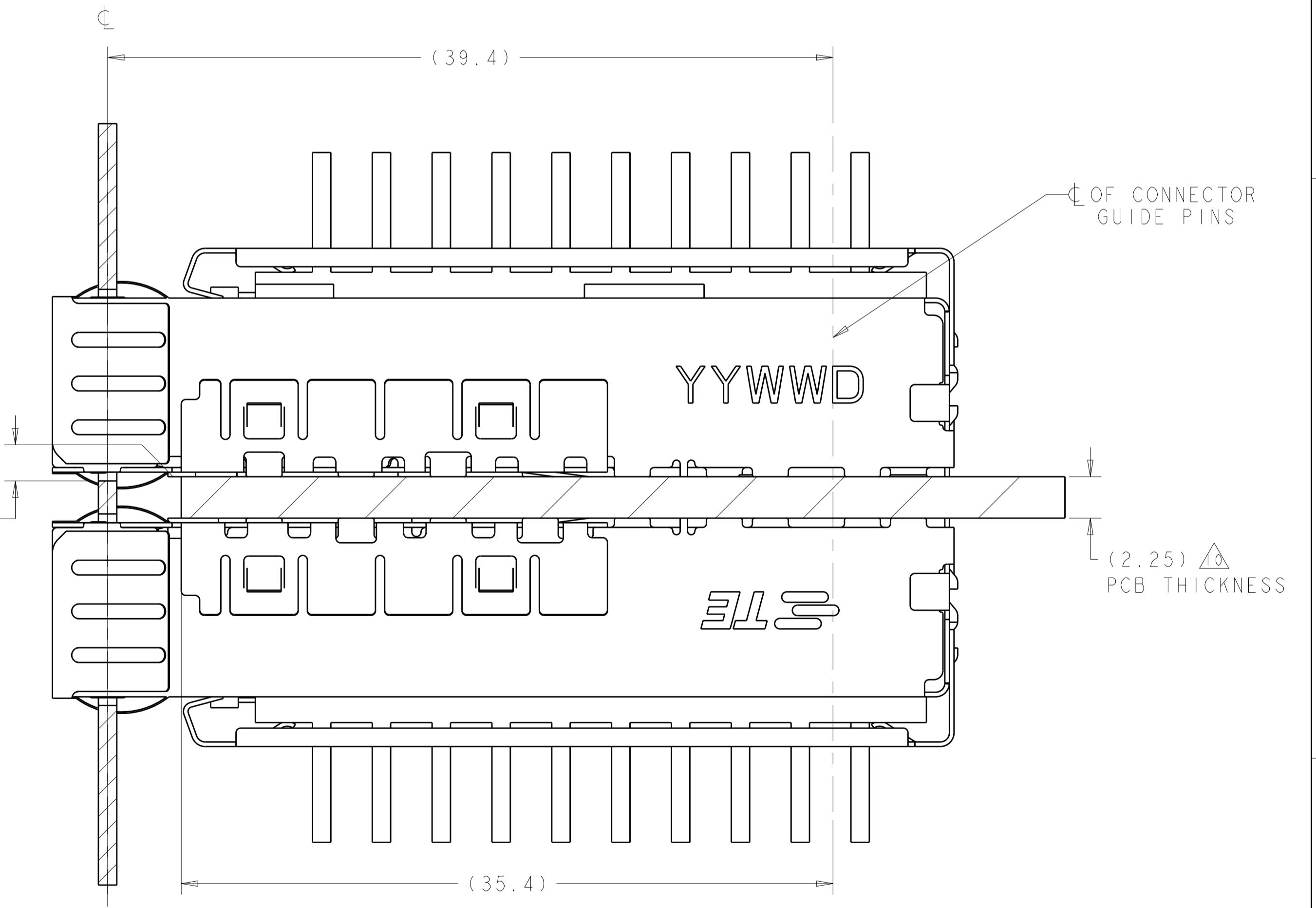
RECOMMENDED BEZEL CUT-OUT
 SINGLE SIDED APPLICATIONS
 SCALE 5:2



RECOMMENDED BEZEL CUT-OUT
 BELLY TO BELLY APPLICATIONS



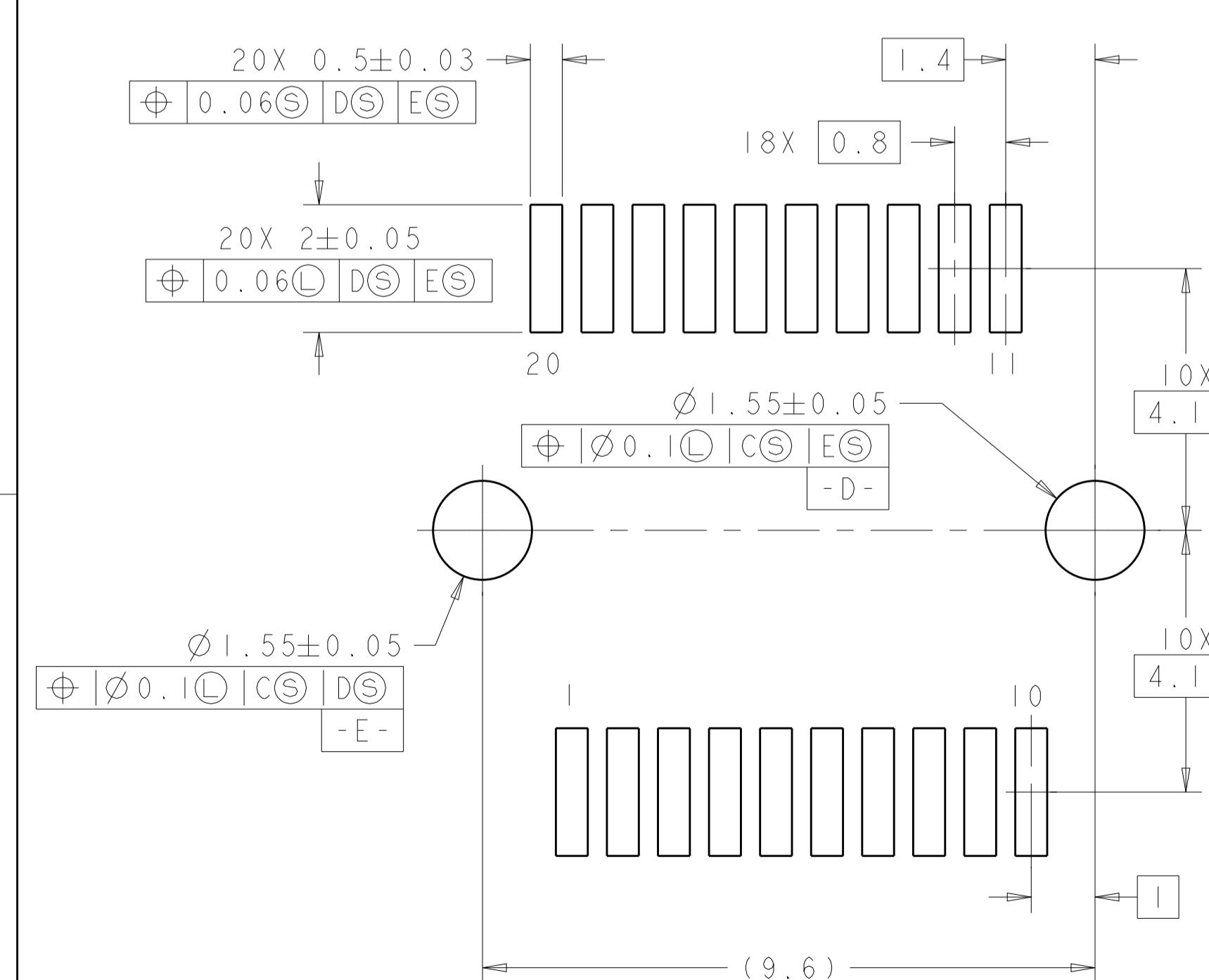
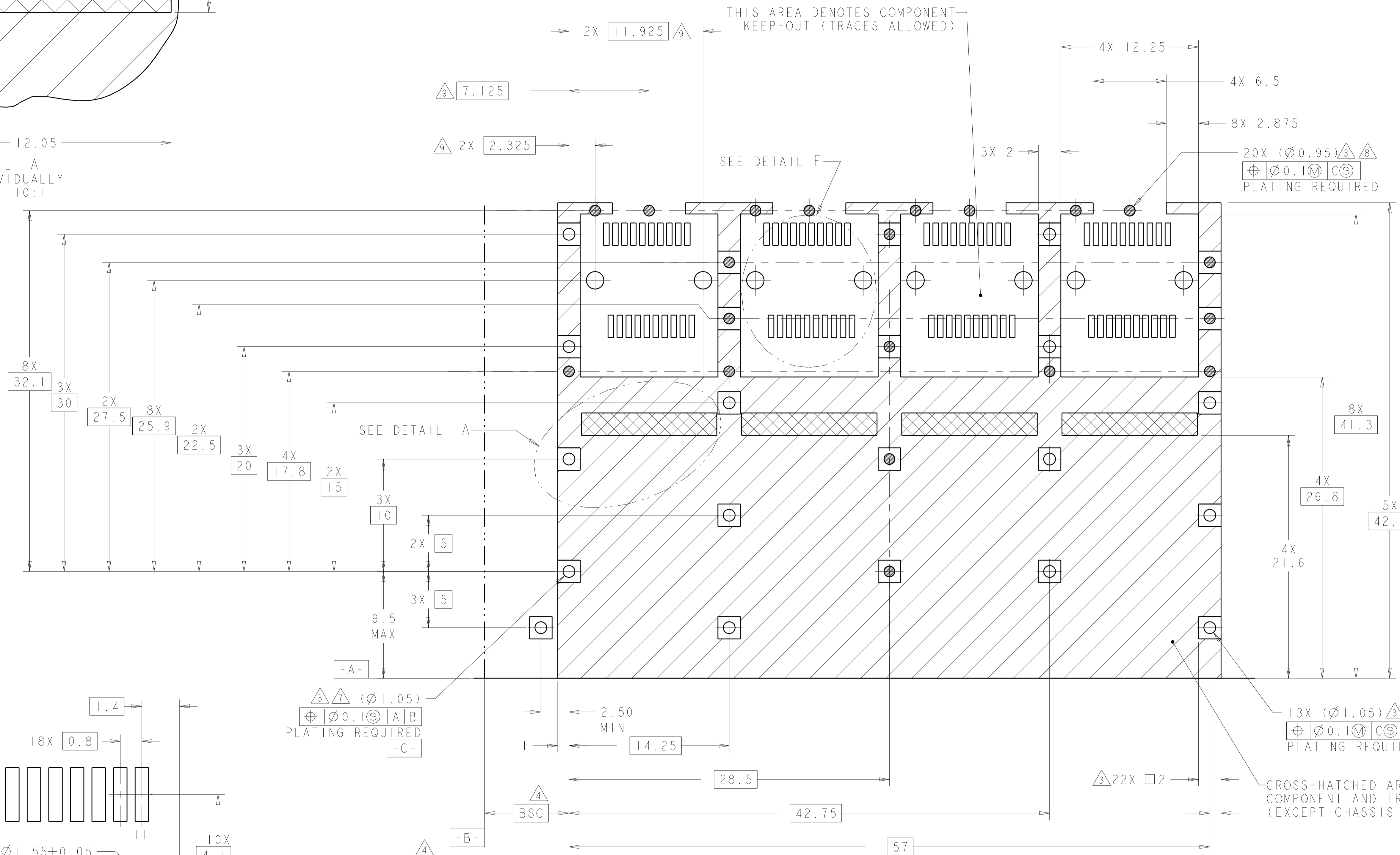
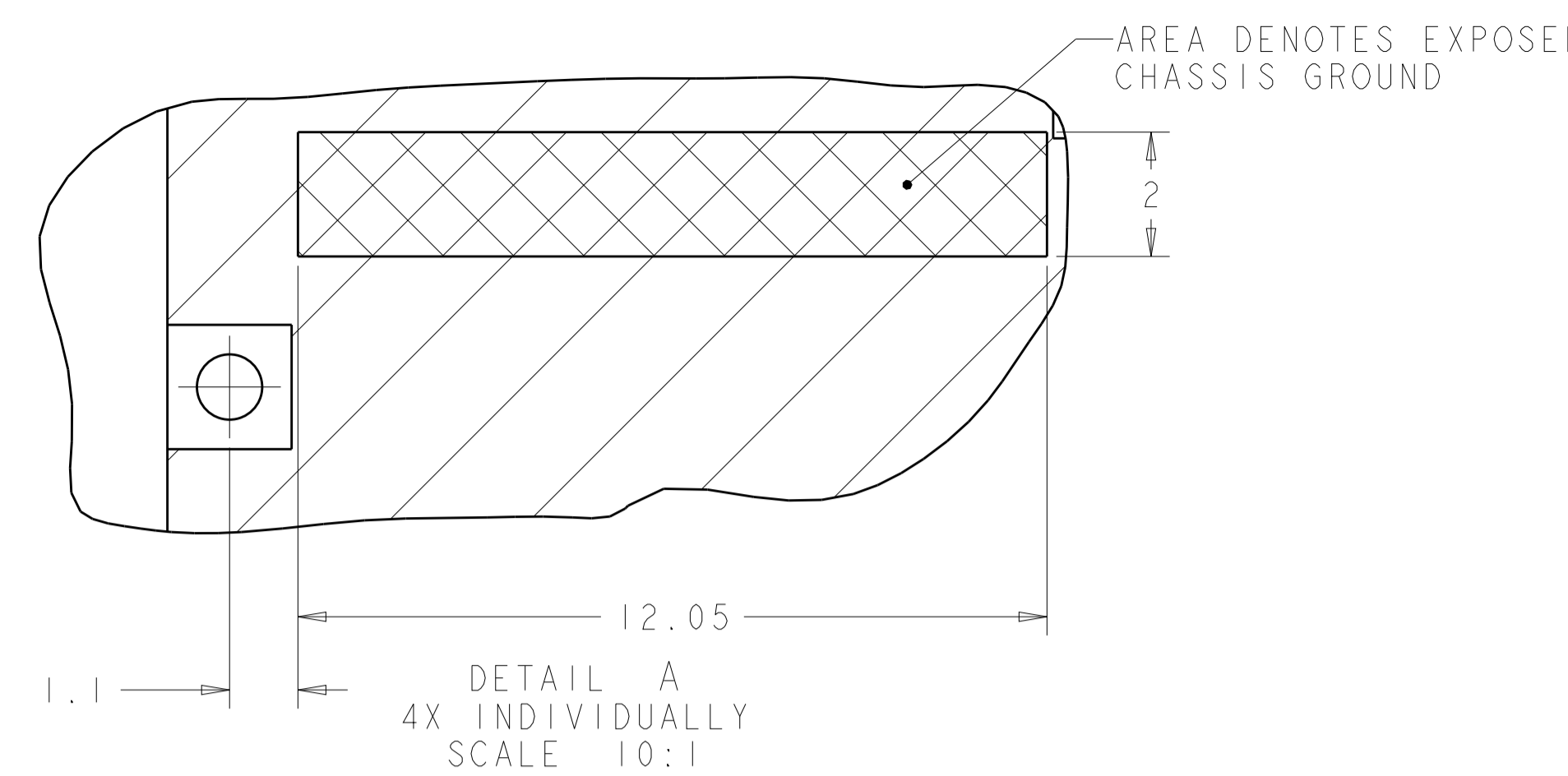
2149730
 MOUNTED ON PC BOARD
 SHOWN THRU RECOMMENDED BEZEL



2149730
 MOUNTED BELLY TO BELLY ON PC BOARD
 SHOWN THRU RECOMMENDED BEZEL

THIS DRAWING IS A CONTROLLED DOCUMENT.		OWN: M. SCHMITT 23AUG2010	TE Connectivity
DIMENSIONS: mm		CHK: M. SCHMITT 23AUG2010	
TOLERANCES UNLESS OTHERWISE SPECIFIED:		APP'D: B. WERTZ 23AUG2010	NAME: SFP+ ENHANCED 1X4 CAGE ASSEMBLY PRESS FIT, EXTERNAL EMI SPRINGS WITH HEATSINK
0 PLC	±0.1	PRODUCT SPEC	108-2364
1 PLC	±0.1	APPLICATION SPEC	114-13120
2 PLC	±0.1	WEIGHT	-
3 PLC	±0.1	Customer Drawing	SCALE 5:1 SHEET 3 OF 7 REV A3
4 PLC	±0.1		
ANGLES	±1°		
FINISH			

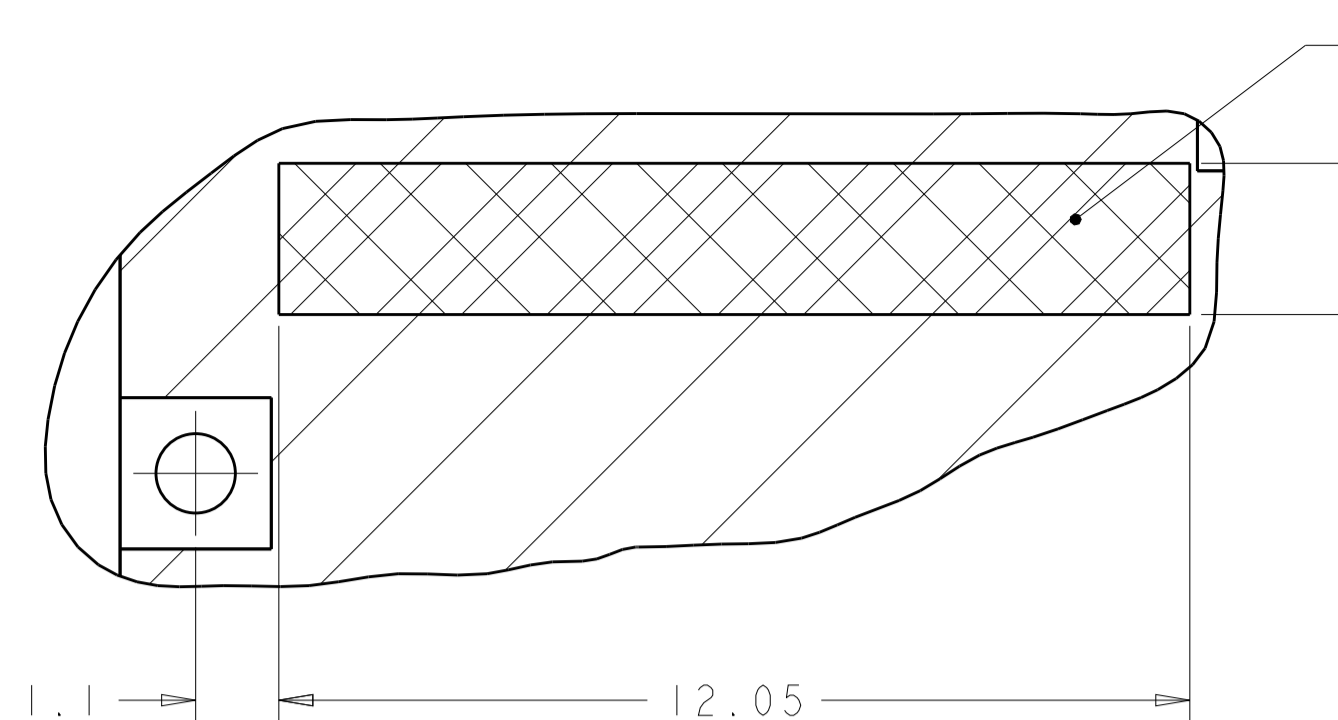
LOC	DIST	REVISIONS			
GP	00	REV	DATE	BY	APPV
		1	SEE SHEET 1		



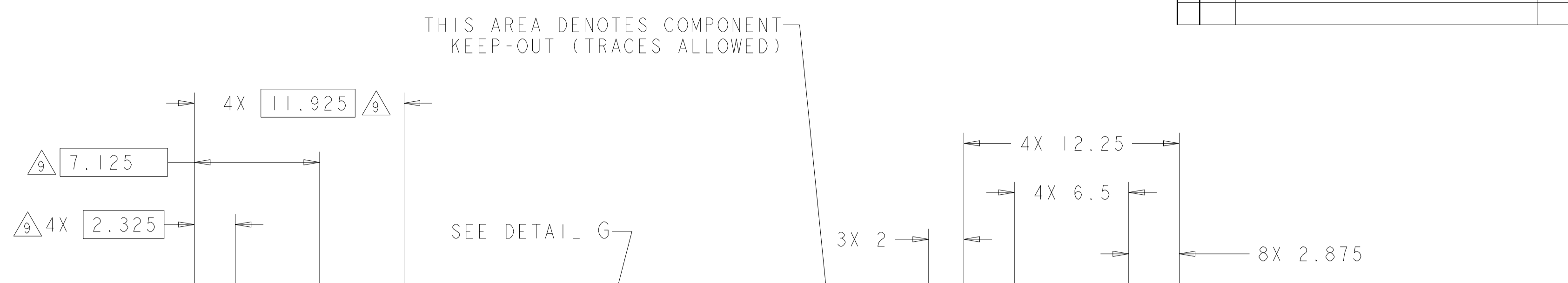
THIS DRAWING IS A CONTROLLED DOCUMENT.		OWN: M. SCHMITT 23AUG2010	TE Connectivity
DIMENSIONS: mm		CHK: M. SCHMITT 23AUG2010	
TOLERANCES UNLESS OTHERWISE SPECIFIED:		APPV: B. WERTZ 23AUG2010	NAME: SFP+ ENHANCED 1X4 CAGE ASSEMBLY PRESS FIT, EXTERNAL EMI SPRINGS WITH HEATSINK PRODUCT SPEC: 108-2364 APPLICATION SPEC: 114-13120 SIZE: A1 CAGE CODE: 00779 DRAWING NO: 2149730 RESTRICTED TO: -
0 PLC ±0.1		WEIGHT: -	
1 PLC ±0.1		Customer Drawing	
2 PLC ±0.1		SCALE: 5:1	
3 PLC ±0.1		SHEET: 4 OF 7	REV: A3
4 PLC ±0.1			
ANGLES ±0.1			
FINISH: ±1°			

LOC	DIST	REV	DATE	BY	APPD
GP	00				

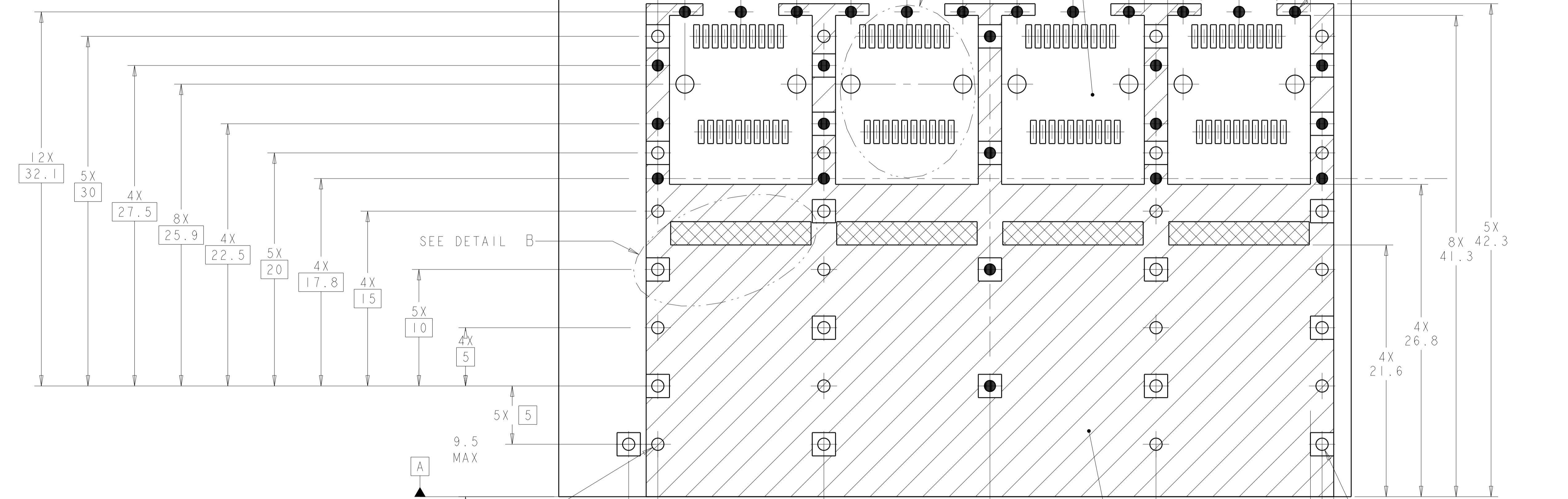
REVISIONS			
REV	DATE	BY	APPD
-	-	-	-
-	-	-	-



DETAIL B
4X INDIVIDUALLY
SCALE 10:1



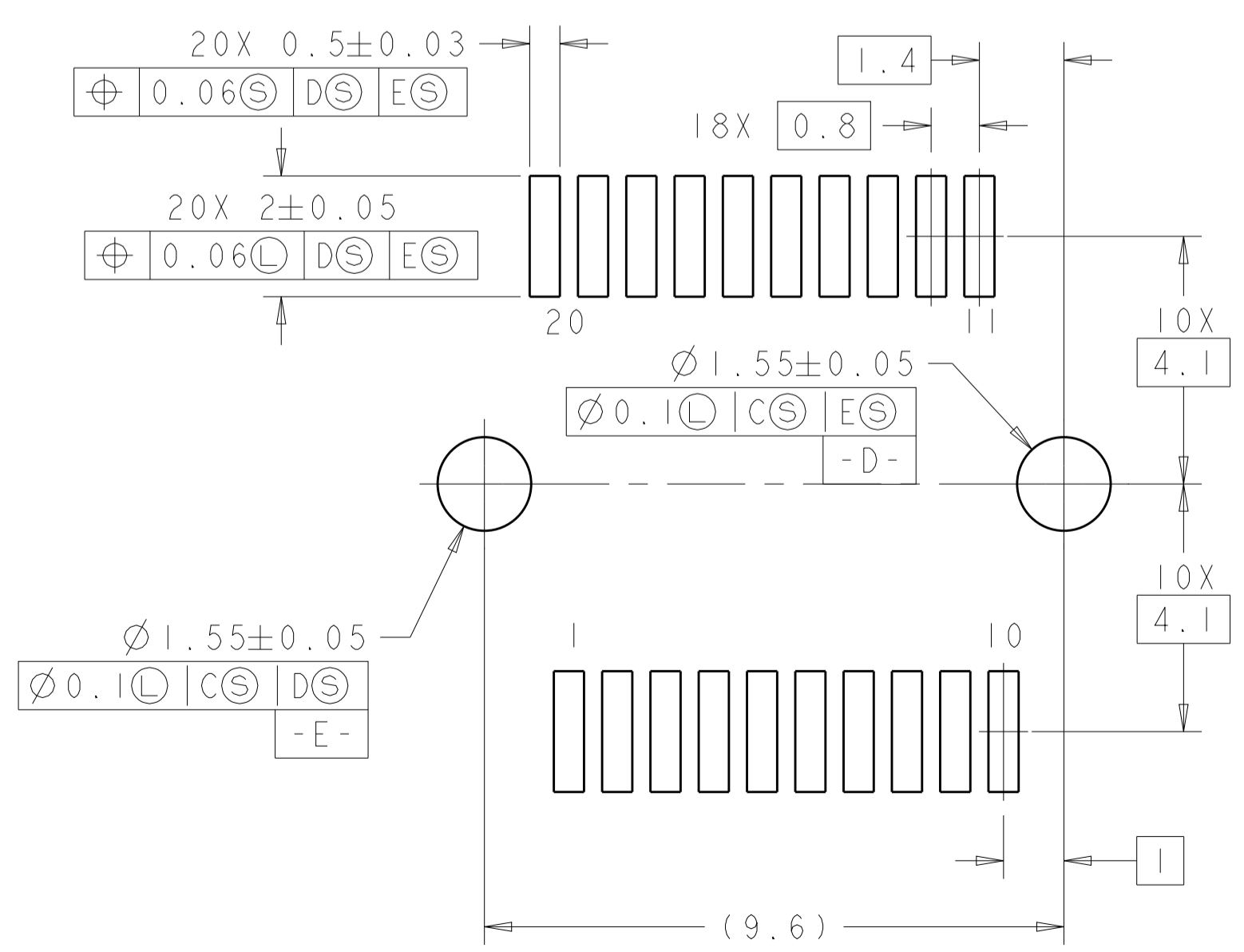
THIS AREA DENOTES COMPONENT
KEEP-OUT (TRACES ALLOWED)



3 (Ø1.05)
Ø0.1 | A | B
PLATING REQUIRED
-C-

CROSS-HATCHED AREA DENOTES
COMPONENT AND TRACE KEEP-OUT
(EXCEPT CHASSIS GROUND)

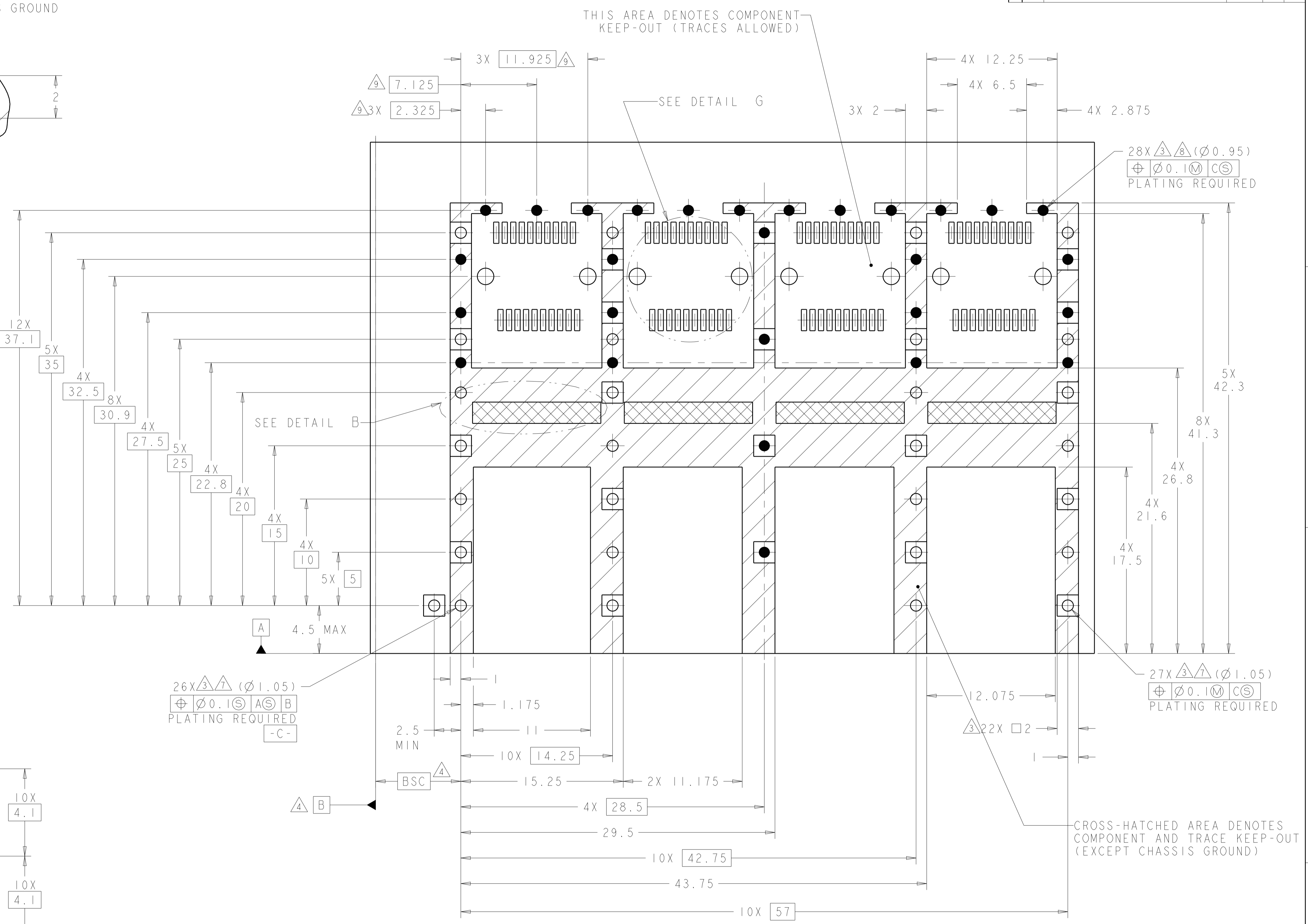
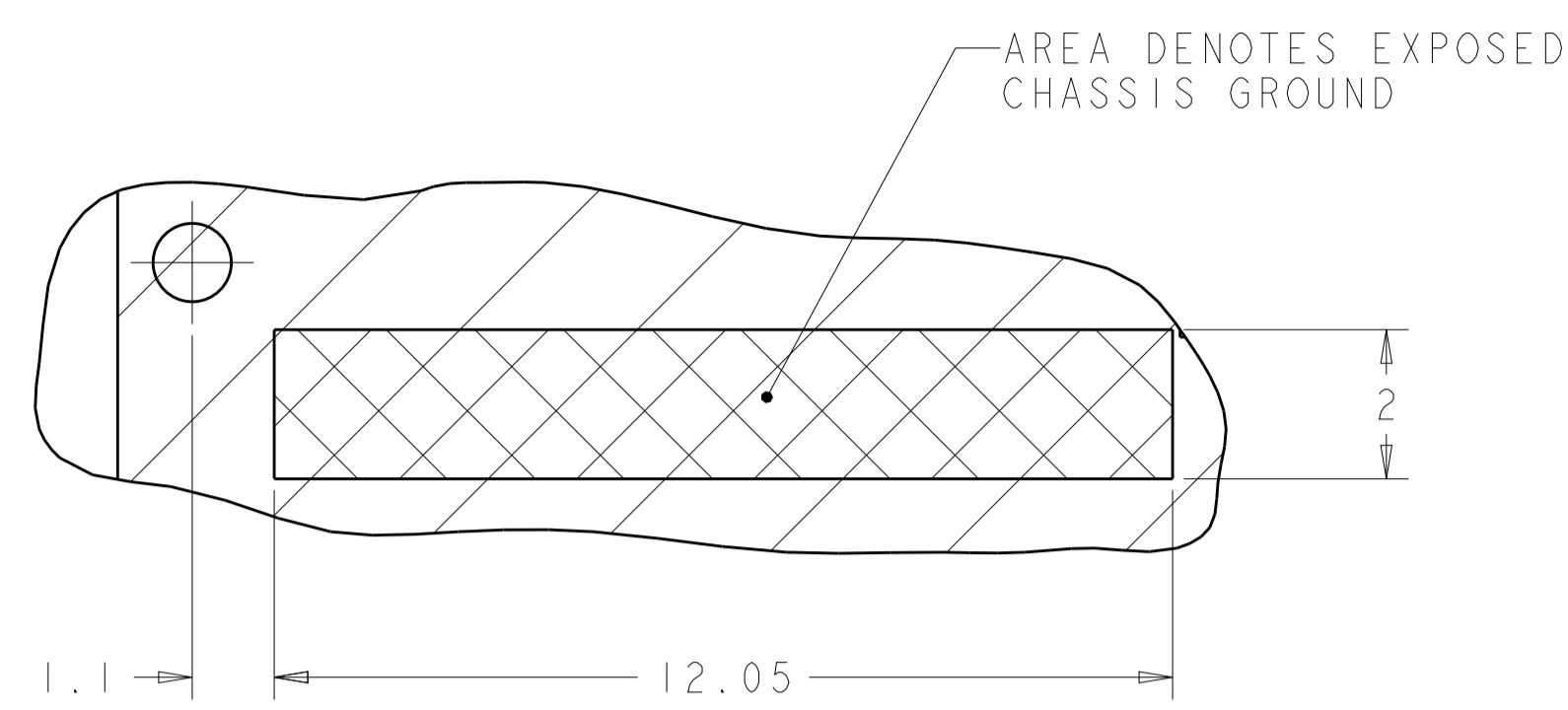
RECOMMENDED PCB CONFIGURATION
WITH KEEP-OUT AREAS
BELLY TO BELLY APPLICATIONS
SCALE 5:1



DETAIL G
RECOMMENDED PT CONNECTOR LAYOUT
8X INDIVIDUALLY
SCALE 10:1

THIS DRAWING IS A CONTROLLED DOCUMENT.		OWN: M. SCHMITT 23AUG2010	TE Connectivity
DIMENSIONS: mm		CHK: M. SCHMITT 23AUG2010	
TOLERANCES UNLESS OTHERWISE SPECIFIED:		APVD: B. WERTZ 23AUG2010	NAME: SFP+ ENHANCED 1X4 CAGE ASSEMBLY PRESS FIT, EXTERNAL EMI SPRINGS WITH HEATSINK
0 PLC ±0.1 1 PLC ±0.1 2 PLC ±0.1 3 PLC ±0.1 4 PLC ±0.1 ANGLES ±1°		PRODUCT SPEC: 108-2364	
MATERIAL: △	FINISH: △	APPLICATION SPEC: 114-13120	SIZE: A1
Customer Drawing		WEIGHT: -	DRAWING NO: C=2149730
SCALE: 5:1		SHEET 5 OF 7	
REV: A3			

LOC		DIST		REVISIONS			
GP	00	P	LTH	DESCRIPTION	DATE	DWN	APVD
		-	-	SEE SHEET 1	-	-	-



RECOMMENDED PCB CONFIGURATION WITH KEEP-OUT AREAS BELLY TO BELLY APPLICATIONS WITH INSULATING TAPE Δ

THIS DRAWING IS A CONTROLLED DOCUMENT.		DWN M. SCHMITT 23AUG2010	STE TE Connectivity
DIMENSIONS: mm		CHK M. SCHMITT 23AUG2010	
TOLERANCES UNLESS OTHERWISE SPECIFIED:		APVD B. WERTZ 23AUG2010	NAME SFP+ ENHANCED 1X4 CAGE ASSEMBLY PRESS FIT, EXTERNAL EMI SPRINGS WITH HEATSINK
0 PLC ± 0.1		PRODUCT SPEC 108-2364	
1 PLC ± 0.1		APPLICATION SPEC 114-13120	
2 PLC ± 0.1		WEIGHT -	
3 PLC ± 0.1		SIZE CAGE CODE DRAWING NO. A100779C=2149730	RESTRICTED TO -
4 PLC ± 0.1		Customer Drawing	SCALE 5:1 SHEET 7 OF 7 REV A3
ANGLES ± 0.1			
FINISH $\pm 1^{\circ}$			