



Chipsmall Limited consists of a professional team with an average of over 10 year of expertise in the distribution of electronic components. Based in Hongkong, we have already established firm and mutual-benefit business relationships with customers from,Europe,America and south Asia,supplying obsolete and hard-to-find components to meet their specific needs.

With the principle of “Quality Parts,Customers Priority,Honest Operation,and Considerate Service”,our business mainly focus on the distribution of electronic components. Line cards we deal with include Microchip,ALPS,ROHM,Xilinx,Pulse,ON,Everlight and Freescale. Main products comprise IC,Modules,Potentiometer,IC Socket,Relay,Connector.Our parts cover such applications as commercial,industrial, and automotives areas.

We are looking forward to setting up business relationship with you and hope to provide you with the best service and solution. Let us make a better world for our industry!



Contact us

Tel: +86-755-8981 8866 Fax: +86-755-8427 6832

Email & Skype: info@chipsmall.com Web: www.chipsmall.com

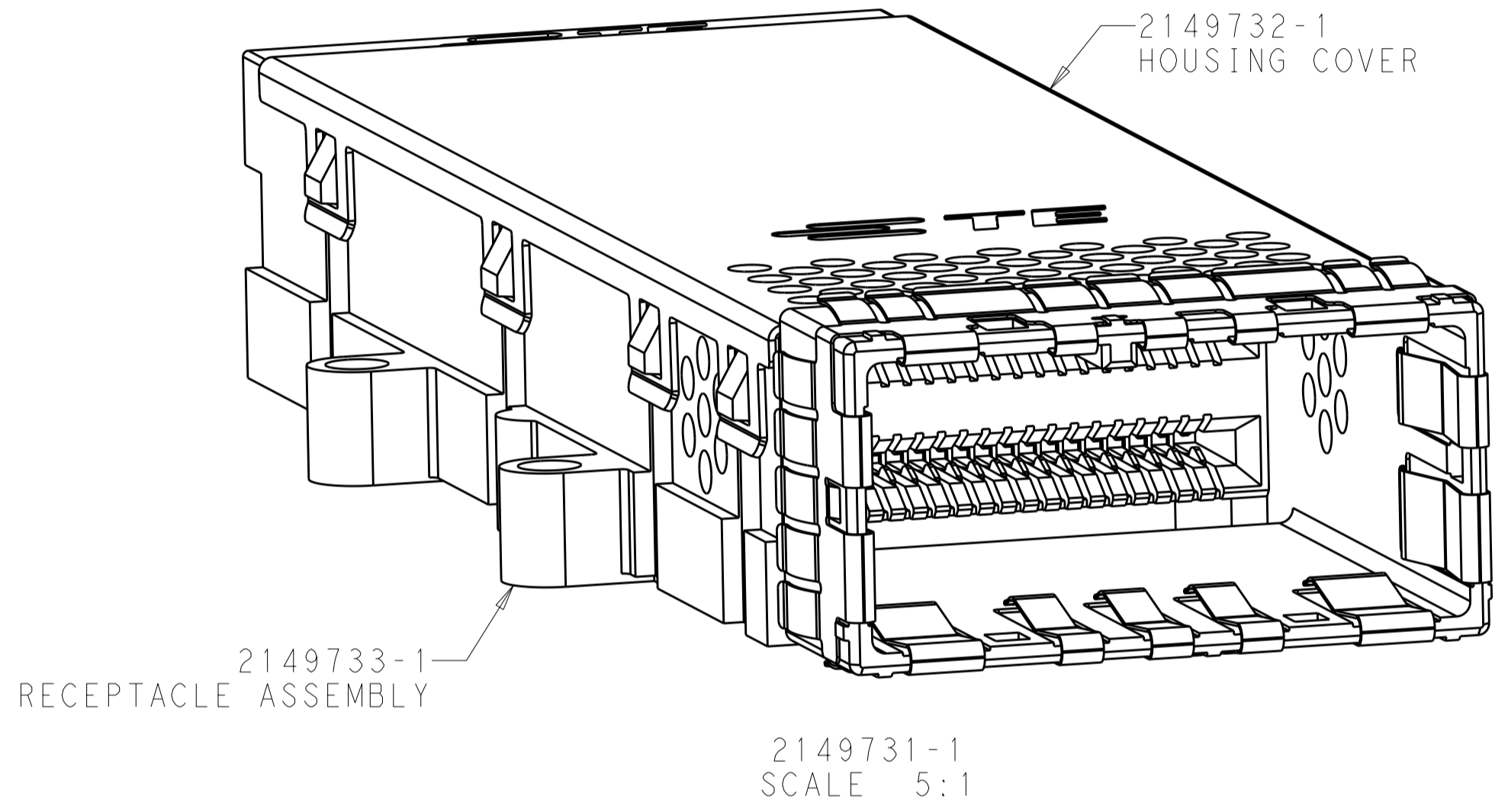
Address: A1208, Overseas Decoration Building, #122 Zhenhua RD., Futian, Shenzhen, China



THIS DRAWING IS UNPUBLISHED. RELEASED FOR PUBLICATION 20
 © COPYRIGHT 20 BY - ALL RIGHTS RESERVED.

LOC	DIST	REVISIONS			
P	LTR	DESCRIPTION	DATE	DWN	APVD
GP	00	8	REVISED	21OCT2011	MEC MDM

1. PARTS PACKAGED UNASSEMBLED
2. PCB THICKNESS = 1.44 MIN
3. THE ENTIRE AREA OF THE CONNECTOR FOOTPRINT, INDICATED BY CROSSHATCHING, TO BE CONSIDERED THE KEEPOUT AREA FOR COMPONENTS AND SIGNAL TRACES, TOP SIDE ONLY, TOP SIDE TRACES ALLOWED WITHIN CONNECTOR HOLE PATTERN, CROSSHATCHING TO BE CONDUCTIVE
4. MOUNTING HARDWARE REQUIRED:
M2X0.4 (4): MOUNTING SCREW LENGTH = BOARD THICKNESS + 8mm MAX
5. FEATURES IN PHANTOM LINES ARE RELATED TO USE WITH CONNECTOR, PN 2149699-X AND GANGED SIDE BY SIDE APPLICATION
6. MATERIALS:
HOUSING - NICKEL PLATED ZINC ALLOY PER ASTM B 240
RECEPTACLE HOUSING - LCP, BLACK, UL 94V-0 RATED
CHICKLET - LCP, BLACK, UL 94V-0 RATED
CONTACT - PHOSPHOR BRONZE PER ASTM B 103
EMI SPRING - COPPER ALLOY
7. CONTACT FINISH:
CONFORMS TO THE REQUIREMENTS OF TYCO ELECTRONICS PRODUCT SPECIFICATION 108-2426, BASED ON EIA/ECA-364-1000.01A, (CONTROLLED ENVIRONMENT APPLICATIONS) ON MATING INTERFACE, TIN ON NEEDLE EYE
8. NOTE DELETED



OBSELETE	2149733-2	8	84 POSITION RECEPTACLE ASSEMBLY WITH COVER	2149731-2
	2149733-1	7	84 POSITION RECEPTACLE ASSEMBLY WITH COVER	2149731-1
	84 POSITION RECEPTACLE ASSEMBLY	FINISH	DESCRIPTION	PART NUMBER

PRELIMINARY PART- NOT RELEASED FOR PRODUCTION

THIS DRAWING IS A CONTROLLED DOCUMENT.

DIMENSIONS:	TOLERANCES UNLESS OTHERWISE SPECIFIED:	DWN	22SEP2010
mm	0 PLC ±0.2	CHK	M.E. COWHER
	1 PLC ±0.1	CHK	M.D. MORRISON
	2 PLC ±0.05	APVD	M.D. MORRISON
	3 PLC ±	APVD	M.D. MORRISON
	4 PLC ±	NAME	M.D. MORRISON
	ANGLES ±1°	PRODUCT SPEC	
MATERIAL	FINISH	APPLICATION SPEC	
		WEIGHT	
		CUSTOMER DRAWING	

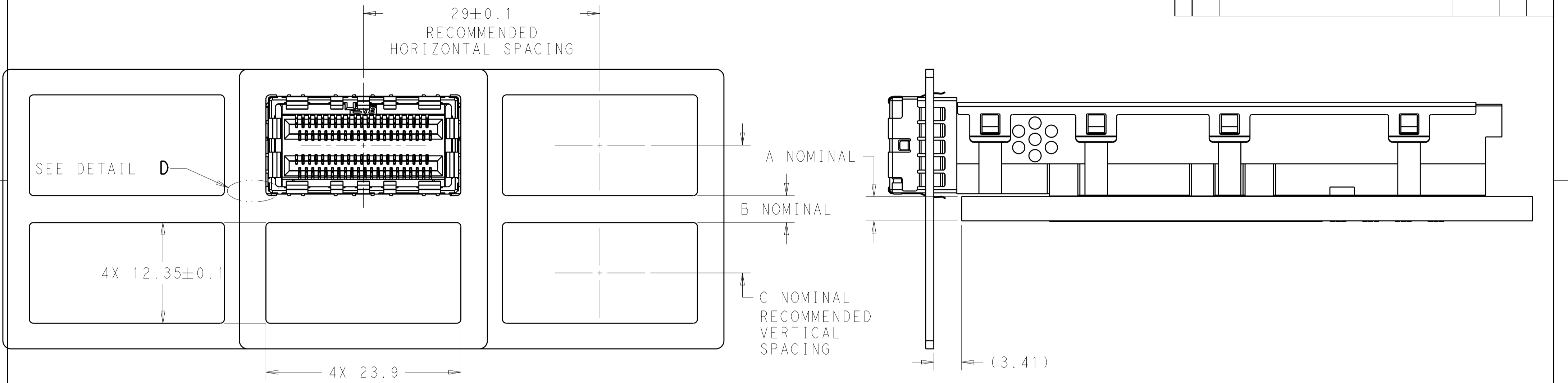
STE TE Connectivity

PRELIMINARY

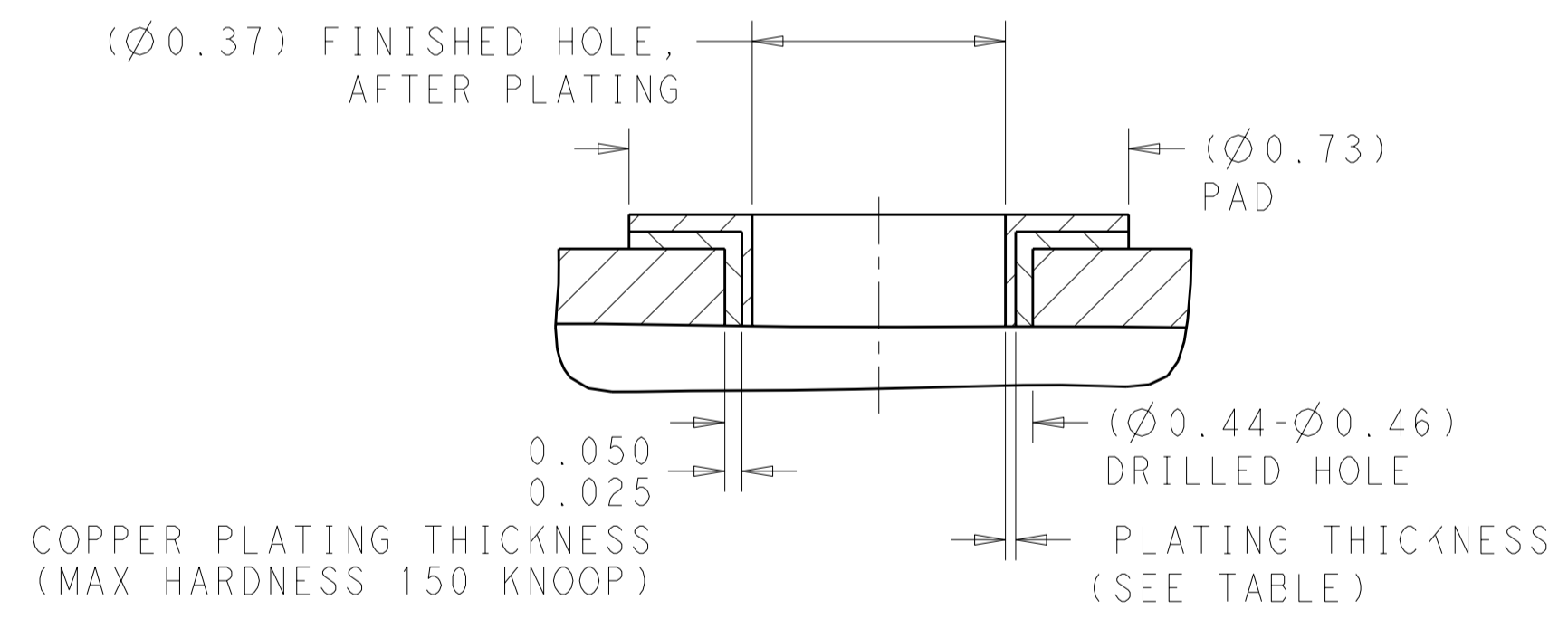
SIZE	CAGE CODE	DRAWING NO	RESTRICTED TO
A2	00779	2149731	
SCALE	1:1	SHEET	1 OF 3
REV	8		

THIS DRAWING IS UNPUBLISHED. RELEASED FOR PUBLICATION 20
 © COPYRIGHT 20 BY - ALL RIGHTS RESERVED.

LOC	DIST	REVISIONS			
P	LTR	DESCRIPTION	DATE	DWN	APVD
GP	00	SEE SHEET 1			

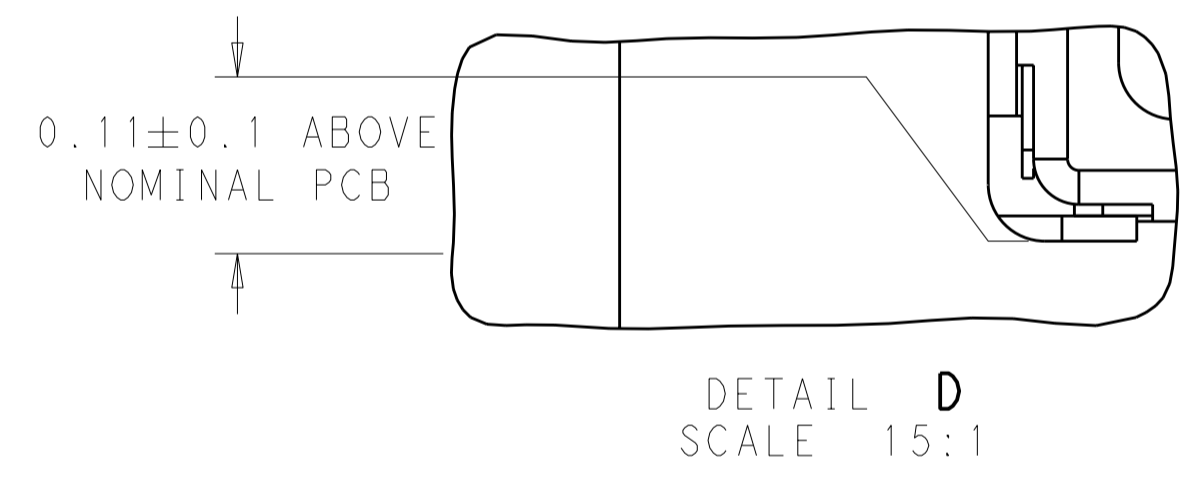


RECOMMEND BRACKET LAYOUT
SCALE 3:1



RECOMMENDED HOLE DIMENSIONS FOR SIGNAL CONTACTS
SCALE 100:1

PLATING THICKNESS	TYPE OF PLATING
0.004-0.01	HOT AIR SOLDER LEVELING (HASL) TIN-LEAD
0.0005-0.002	IMMERSION TIN
0.0002-0.0005	ORGANIC SOLDERABILITY PRESERVATIVE (OSP)
0.0001-0.0005 Au, 0.004-0.0076 Ni	IMMERSION GOLD OVER NICKEL (ENIG)
0.0001-0.0005	IMMERSION SILVER



PRELIMINARY PART- NOT RELEASED FOR PRODUCTION

12.57+A	0.22+A	PCB THICKNESS
C	B	A

THIS DRAWING IS A CONTROLLED DOCUMENT.

DWN M.E. COWHER 22SEP2010
 CHK M.D. MORRISON 22SEP2010
 APVD M.D. MORRISON 22SEP2010

STE TE Connectivity

NAME RECEPTACLE ASSEMBLY WITH COVER, BELLY-BELLY, EXTENDED, 84 POSITION, CXP

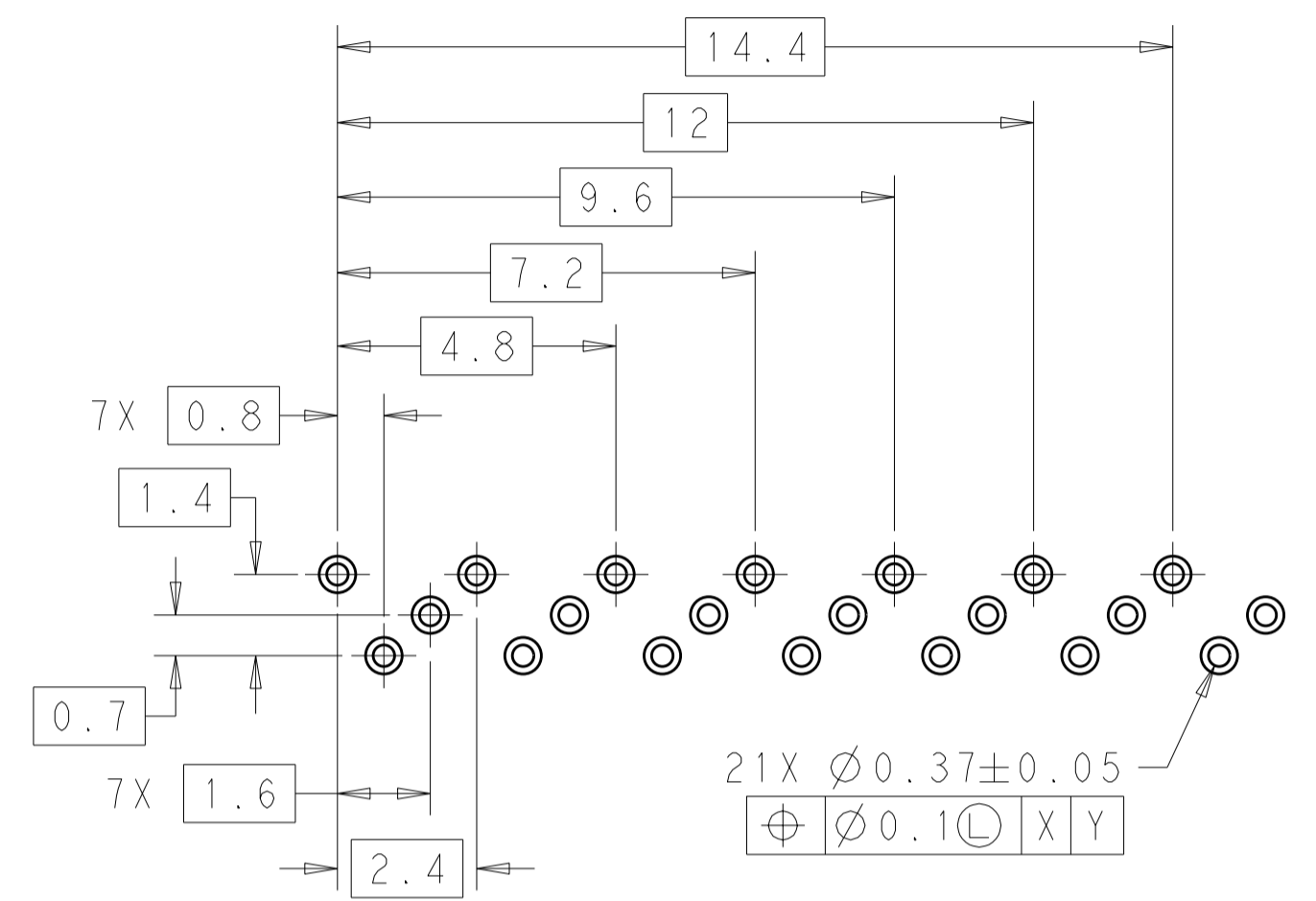
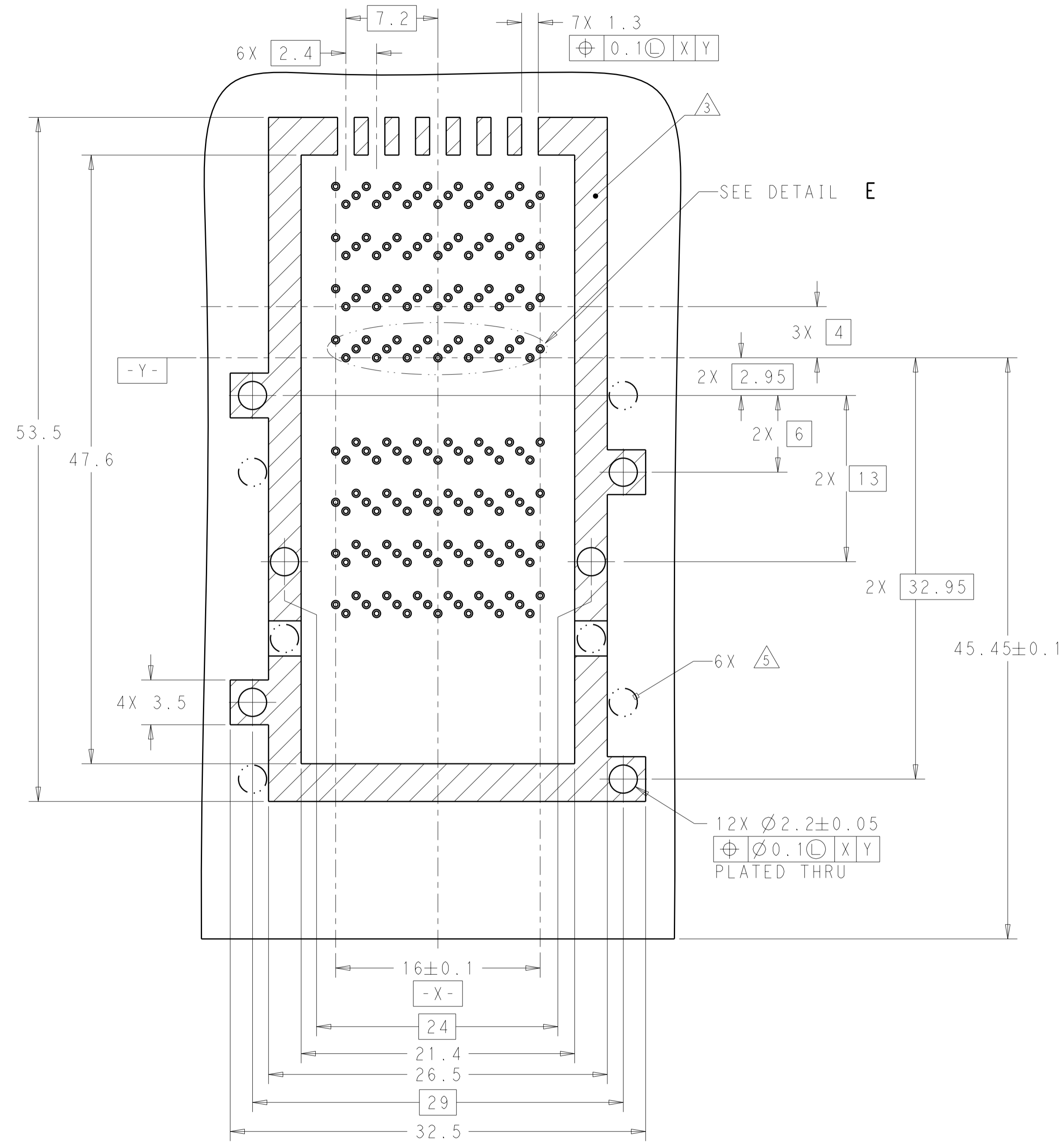
SIZE CAGE CODE DRAWING NO RESTRICTED TO
 A200779 C-2149731 -

MATERIAL - WEIGHT -

CUSTOMER DRAWING SCALE 1:1 SHEET 2 OF 3 REV 8

THIS DRAWING IS UNPUBLISHED. RELEASED FOR PUBLICATION 20
 © COPYRIGHT 20 BY - ALL RIGHTS RESERVED.

LOC		DIST		REVISIONS				
P	LTR	DESCRIPTION	DATE	DWN	APVD			
GP	00	SEE SHEET 1						



DETAIL E
 4X INDIVIDUALLY
 SCALE 8:1

RECOMMENDED PCB LAYOUT
 COMPONENT SIDE SHOWN
 SCALE 4:1

PRELIMINARY PART- NOT RELEASED FOR PRODUCTION

THIS DRAWING IS A CONTROLLED DOCUMENT.		DWN M.E. COWHER 22SEP2010	TE Connectivity	
DIMENSIONS: mm		CHK M.D. MORRISON 22SEP2010		
TOLERANCES UNLESS OTHERWISE SPECIFIED:		APVD M.D. MORRISON 22SEP2010	NAME RECEPTACLE ASSEMBLY WITH COVER, BELLY-BELLY, EXTENDED, 84 POSITION, CXP	
0 PLC ±0.2 1 PLC ±0.1 2 PLC ±0.05 3 PLC ± 4 PLC ±		PRODUCT SPEC -	SIZE A200779	
ANGLES FINISH		APPLICATION SPEC -	DRAWING NO C-2149731	
MATERIAL -		WEIGHT -	RESTRICTED TO -	
CUSTOMER DRAWING		SCALE 1:1	SHEET 3 OF 3 REV 8	