



Chipsmall Limited consists of a professional team with an average of over 10 year of expertise in the distribution of electronic components. Based in Hongkong, we have already established firm and mutual-benefit business relationships with customers from,Europe,America and south Asia,supplying obsolete and hard-to-find components to meet their specific needs.

With the principle of “Quality Parts,Customers Priority,Honest Operation,and Considerate Service”,our business mainly focus on the distribution of electronic components. Line cards we deal with include Microchip,ALPS,ROHM,Xilinx,Pulse,ON,Everlight and Freescale. Main products comprise IC,Modules,Potentiometer,IC Socket,Relay,Connector.Our parts cover such applications as commercial,industrial, and automotives areas.

We are looking forward to setting up business relationship with you and hope to provide you with the best service and solution. Let us make a better world for our industry!



## Contact us

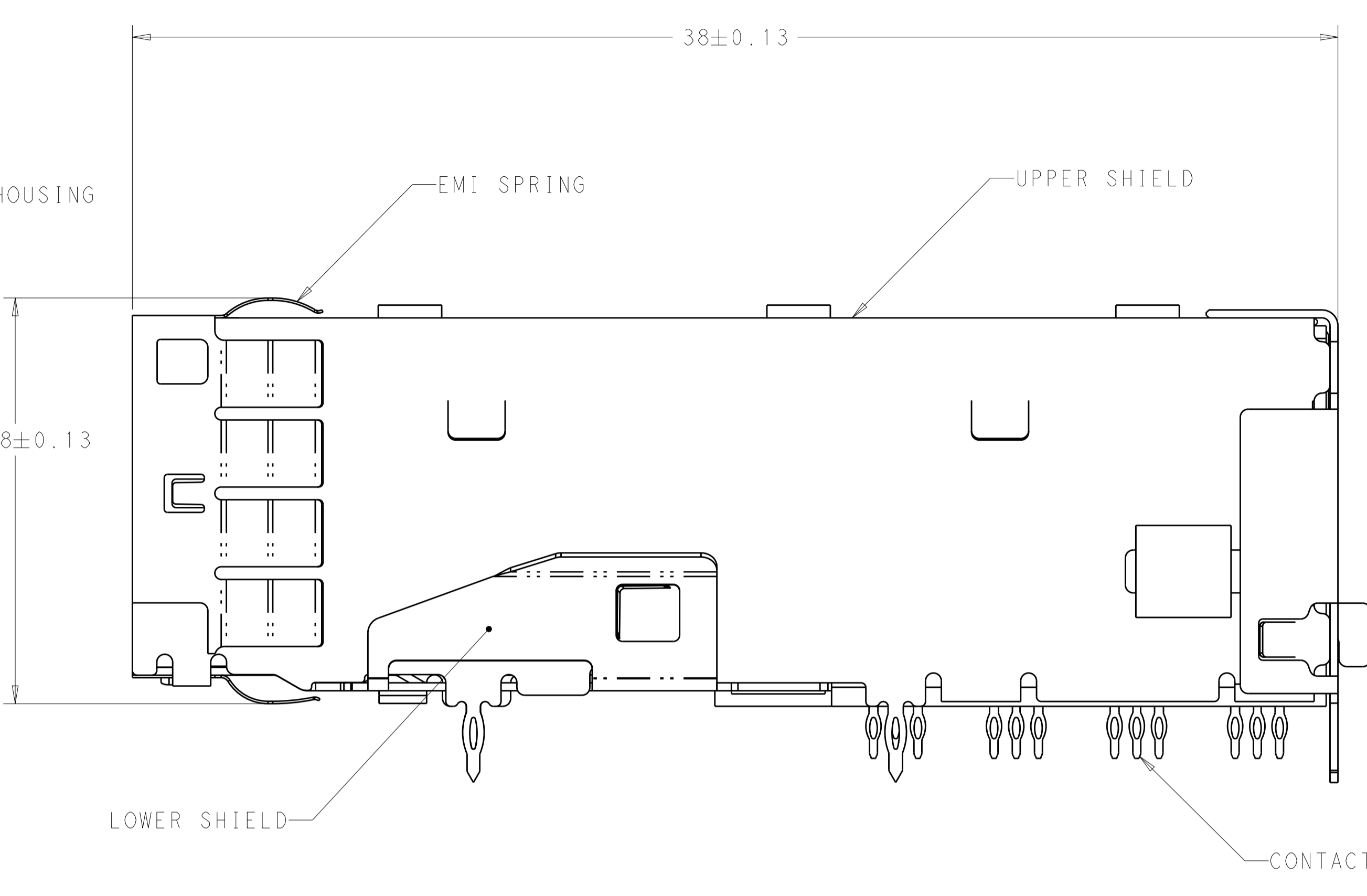
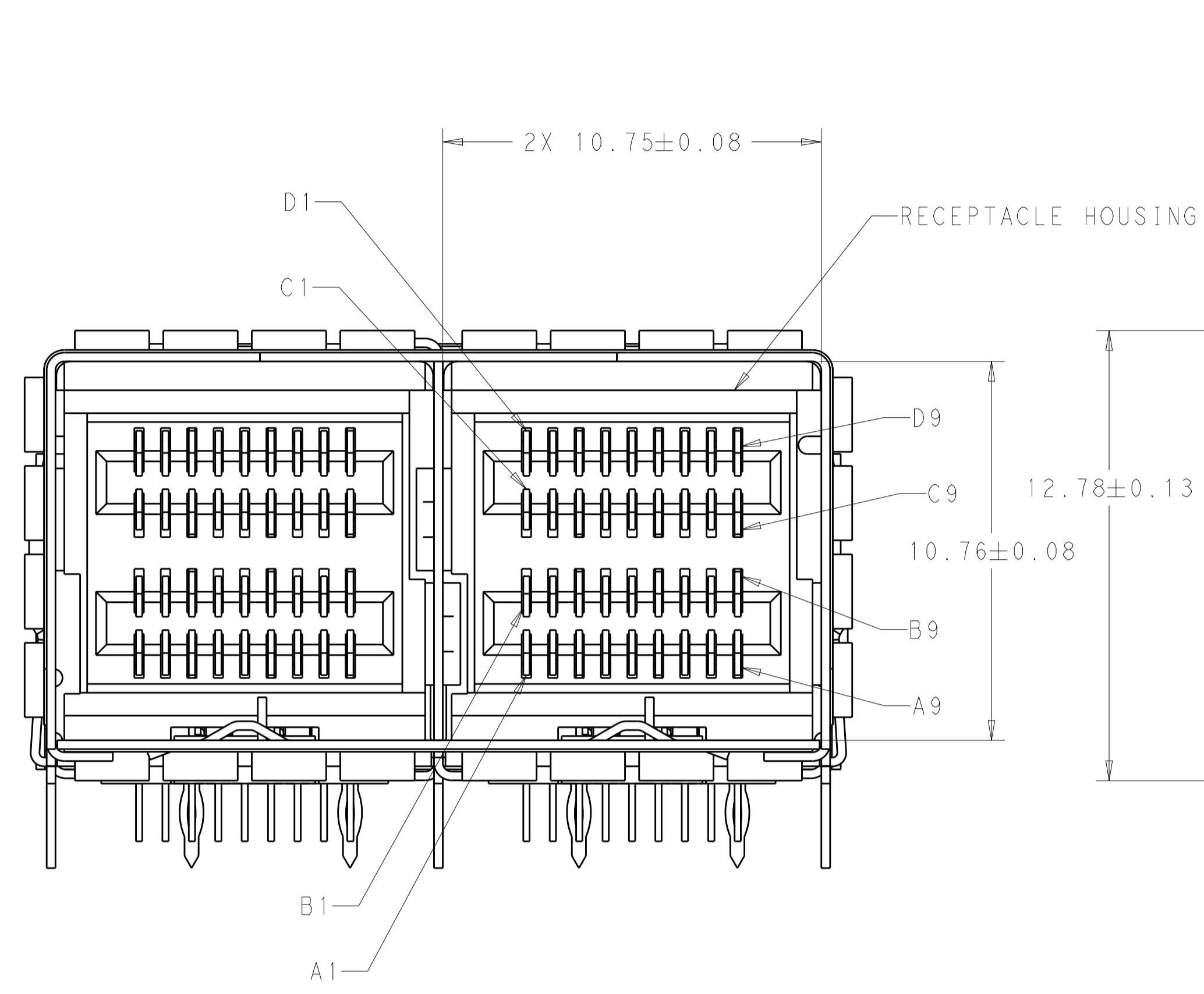
Tel: +86-755-8981 8866 Fax: +86-755-8427 6832

Email & Skype: info@chipsmall.com Web: www.chipsmall.com

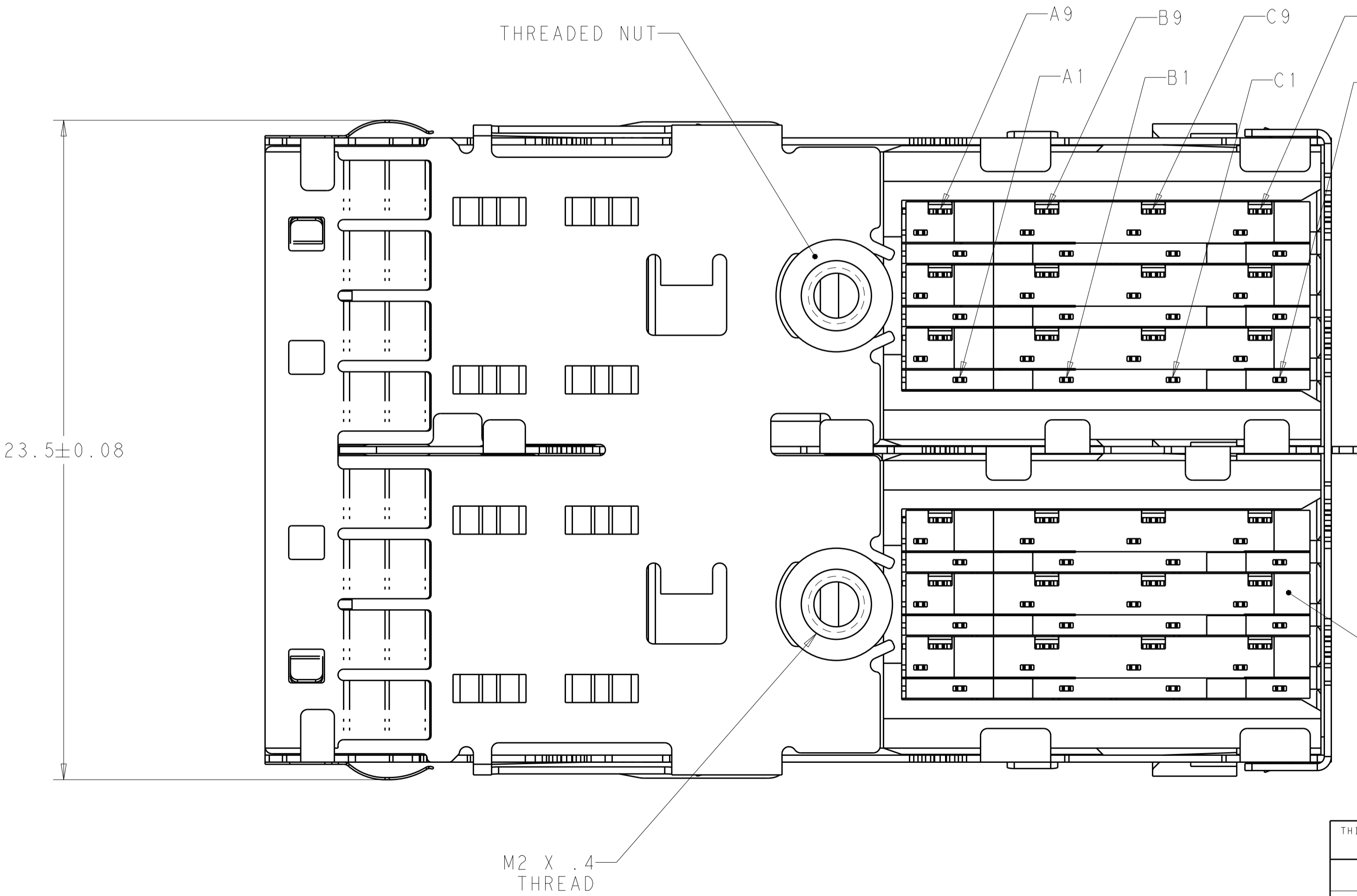
Address: A1208, Overseas Decoration Building, #122 Zhenhua RD., Futian, Shenzhen, China



LOC		DIST		REVISIONS			
P	LTN	DESCRIPTION	DATE	DWN	APVD		
7		REMOVED PRELIMINARY, ADDED NOTE 5	05JAN2012	PK	JS		
8		PCI APPLICATION DIMENSION ADDED	09JAN2012	JS	JS		
9		PCB KEEPOUT UPDATE	13MAR2012	JS	JS		
10		REVISED	21DEC2012	MEC	JS		



1. MATERIALS  
 RECEPTACLE HOUSING, LCP, BLACK, UL94V-0 RATED  
 SHIELD ASSY: NICKEL SILVER COPPER ALLOY  
 CONTACTS: COPPER ALLOY  
 EMI SPRING: COPPER ALLOY  
 THREADED NUT: BRASS  
 CHICKLETS: LCP, BLACK, UL 94V-0 RATED
2. FINISH  
 EMI SPRING: TIN PLATE OVER NICKEL PLATE  
 NON-PLATED EDGES PERMISSABLE  
 THREADED NUT: NICKEL PLATE
3. CONTACT FINISH: CONFORMS TO THE REQUIREMENTS OF TE PRODUCT SPECIFICATION, 108-2462. BASED ON EIA/ECA-364-1000.01A. (CONTROLLED ENVIRONMENT APPLICATIONS) ON MATING END. TIN PLATED ON PCB TAIL
4. THREAD LENGTH OF FASTENER = PCB THICKNESS + 1.45 MAX
5. THIS PRODUCT HAS NOT COMPLETED VALIDATION/QUALIFICATION TESTING
6. RECOMMENDED TRACE KEEP OUT ZONE



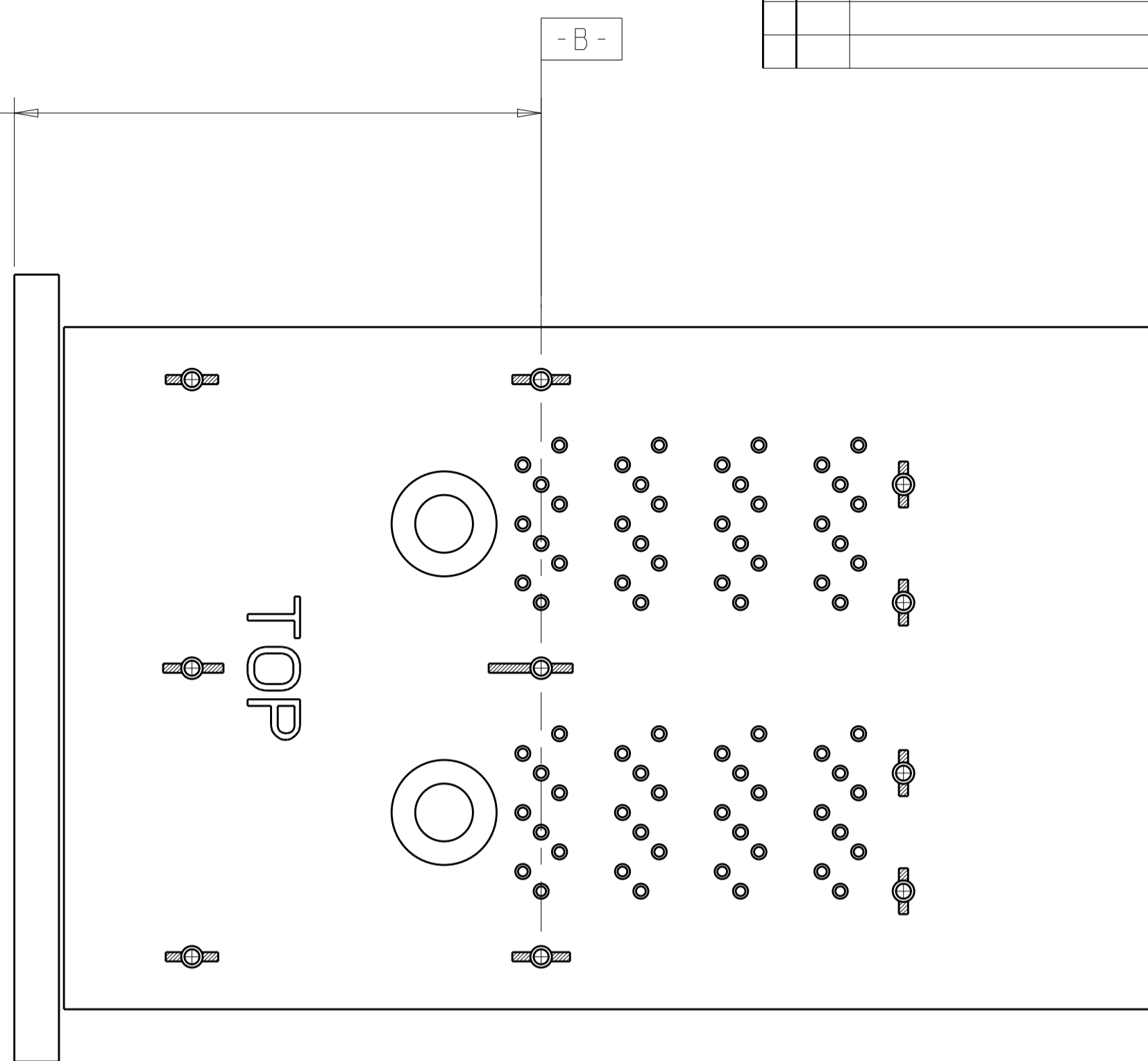
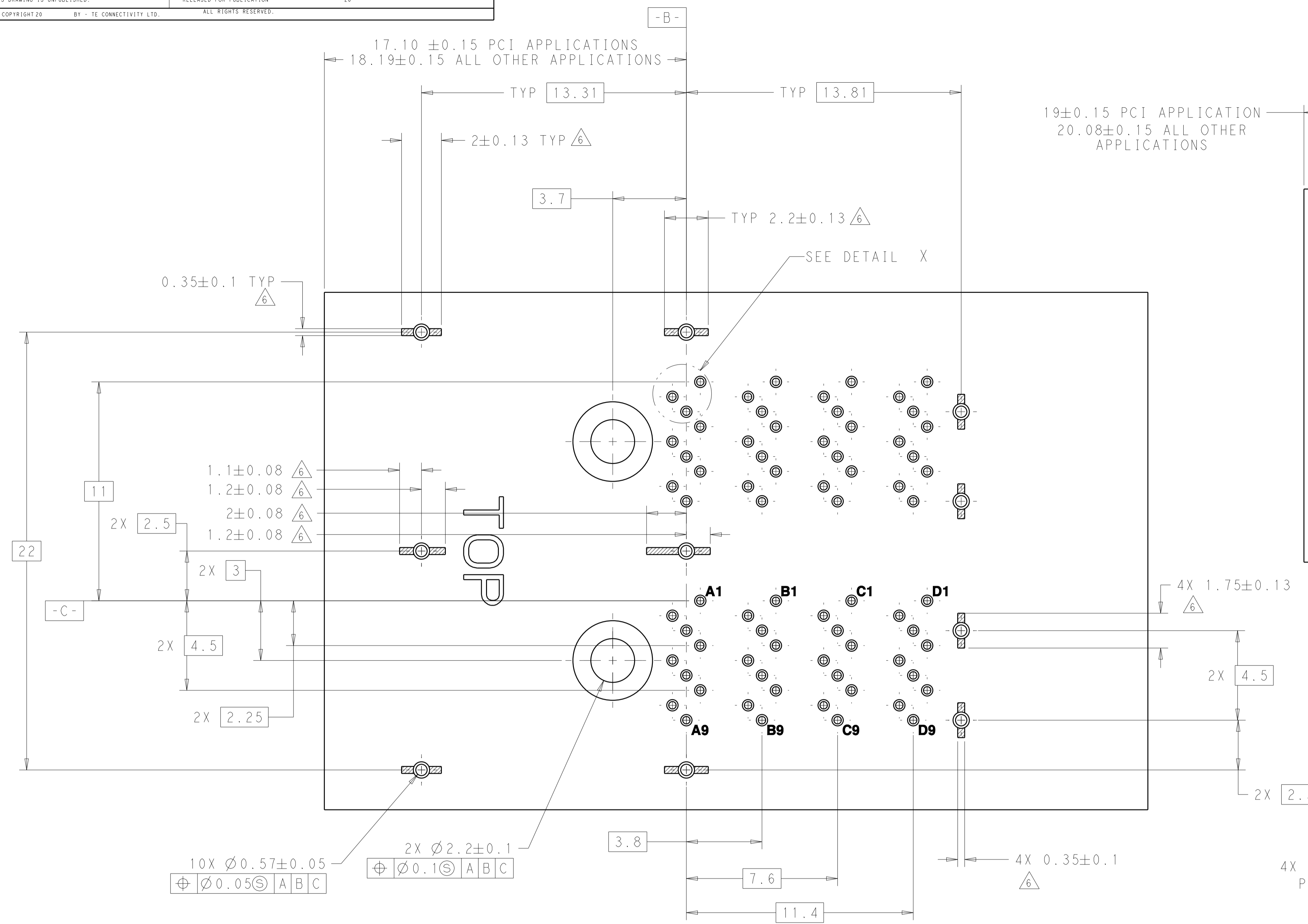
2149966-1  
 PART NUMBER

THIS DRAWING IS A CONTROLLED DOCUMENT.		DWN P. KERLIN 20SEP2010	NAME	
DIMENSIONS:		CHK J. SECHRIST 20SEP2010	RECEPTACLE ASSEMBLY, MINI-SAS HD, 2X	
TOLERANCES UNLESS OTHERWISE SPECIFIED:		APVD	RESTRICTED TO	
mm	0 PLC ±	PRODUCT SPEC	SIZE CAGE CODE DRAWING NO	
	1 PLC ±	108-2462	A100779C=2149966	
	2 PLC ±	APPLICATION SPEC	SCALE 8:1 SHEET 1 OF 2 REV 10	
	3 PLC ±	114-13316	CUSTOMER DRAWING	
	4 PLC ±	WEIGHT		
	ANGLES ±			
	FINISH			

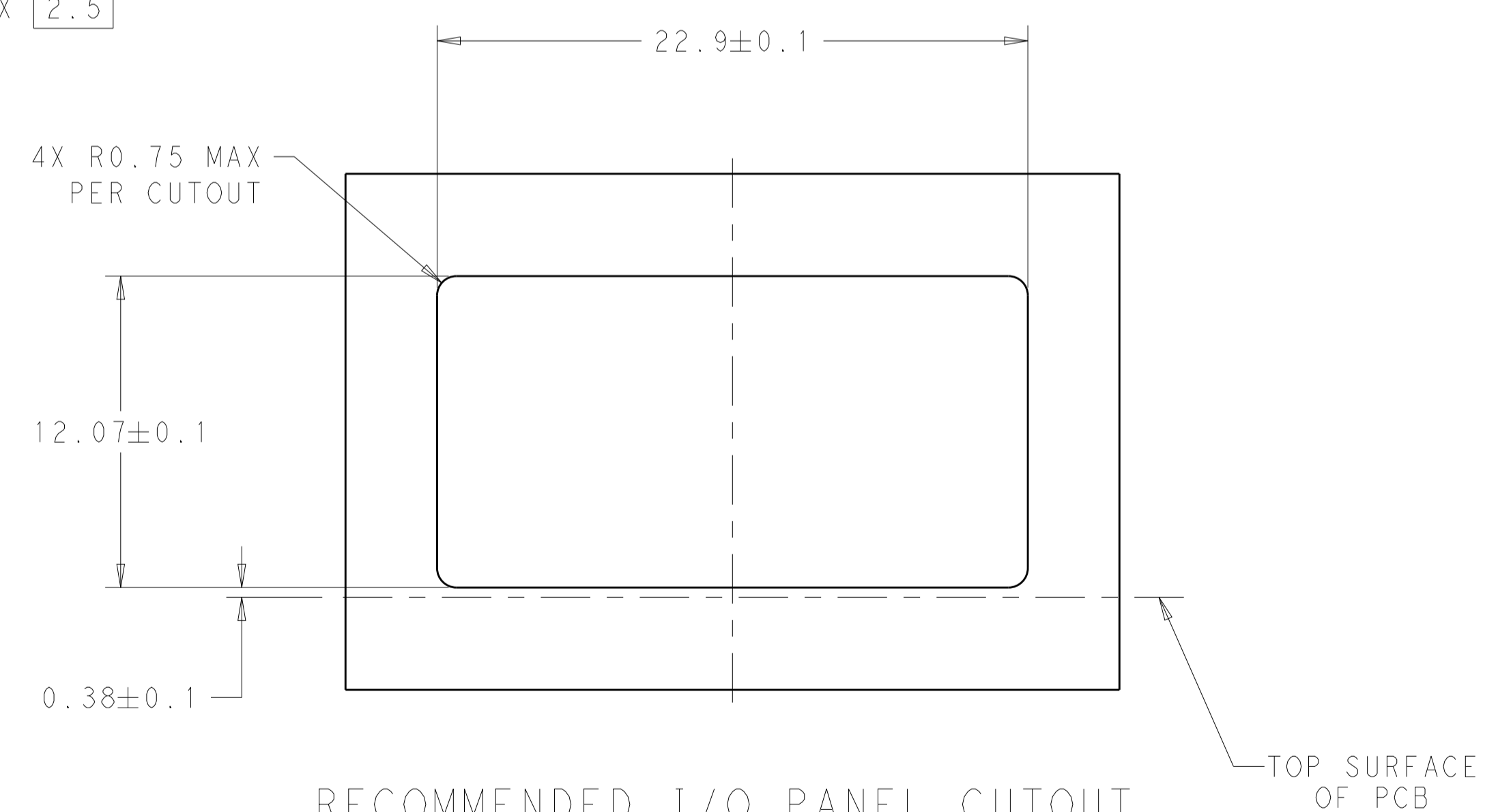
LOC	DIST	REV	DATE	BY	APPD
AG	00				

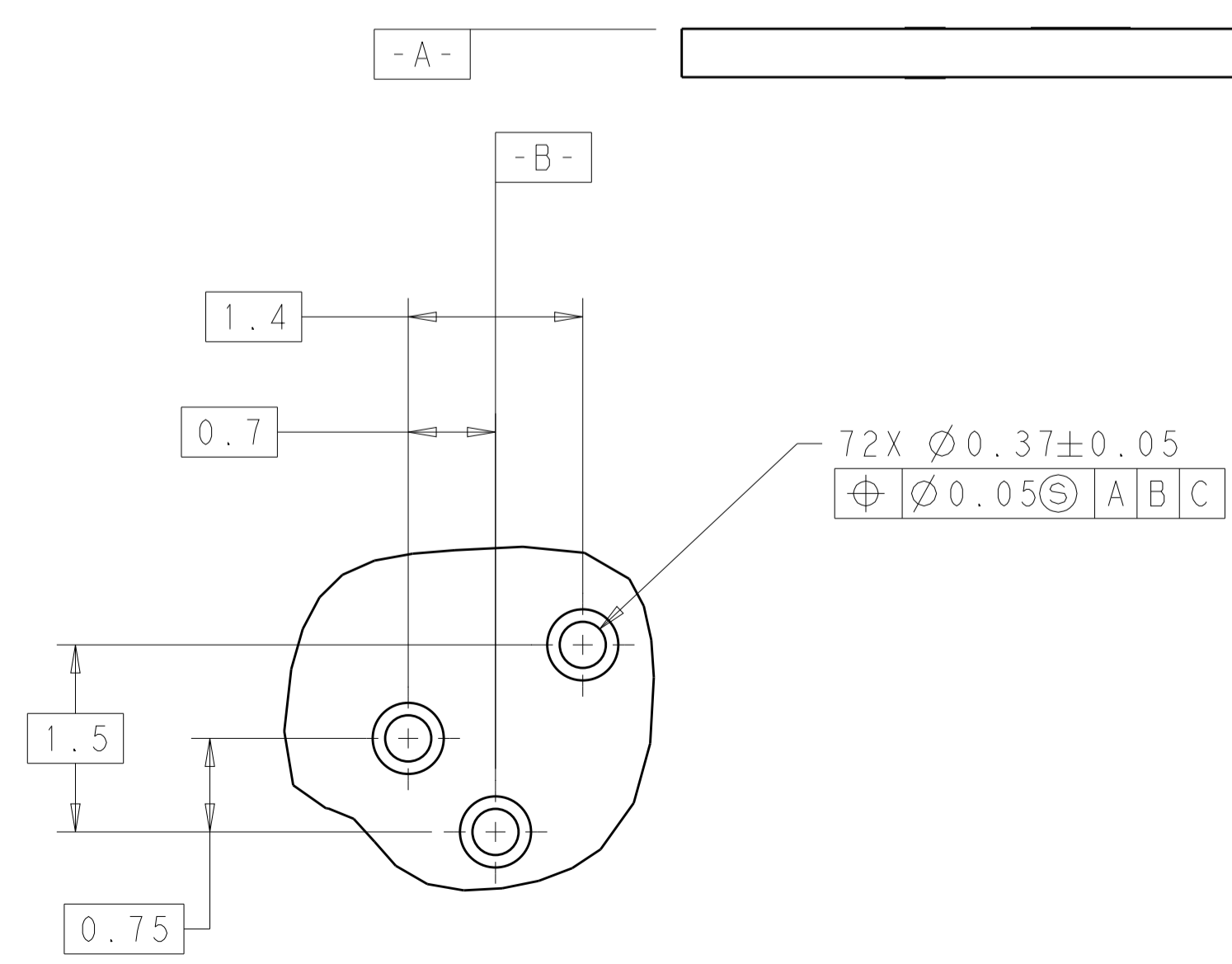
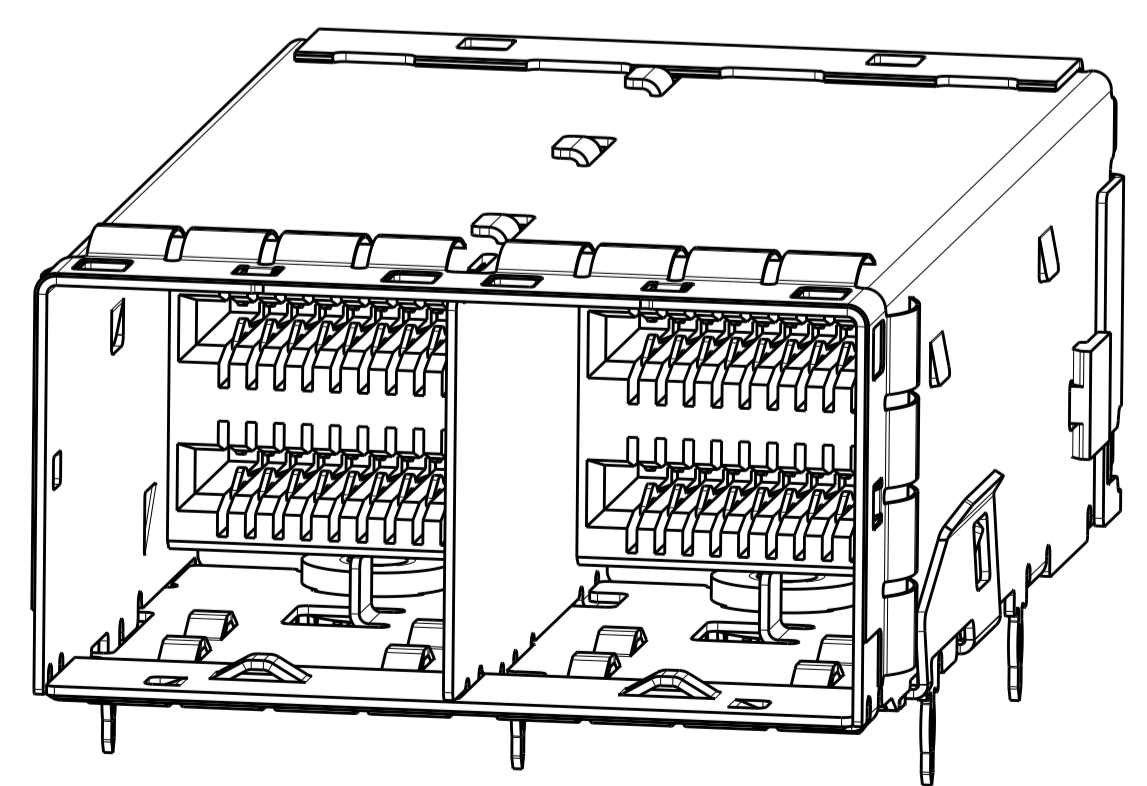
REVISIONS					
REV	DATE	BY	APPD	DESCRIPTION	
-	-	-	-	SEE SHEET 1	-



PANEL/PCB ASSEMBLY  
SCALE=5:1



RECOMMENDED I/O PANEL CUTOUT  
SCALE=5:1



DETAIL X  
SCALE 20:1

THIS DRAWING IS A CONTROLLED DOCUMENT.		OWN: P. KERLIN 20SEP2010	TE Connectivity
DIMENSIONS: mm		CHK: J. SECHRIST	
TOLERANCES UNLESS OTHERWISE SPECIFIED:		APVD: -	NAME: RECEPTACLE ASSEMBLY, MINI-SAS HD, 2X
0 PLC	±	PRODUCT SPEC	SIZE: CAGE CODE DRAWING NO
2 PLC	±	108-2462	RESTRICTED TO
3 PLC	±	APPLICATION SPEC	A100779C=2149966
4 PLC	±	114-13316	SCALE: 8:1 SHEET 2 OF 2 REV 10
ANGLES	±	WEIGHT	
MATERIAL		FINISH	
CUSTOMER DRAWING			