



Chipsmall Limited consists of a professional team with an average of over 10 year of expertise in the distribution of electronic components. Based in Hongkong, we have already established firm and mutual-benefit business relationships with customers from,Europe,America and south Asia,supplying obsolete and hard-to-find components to meet their specific needs.

With the principle of “Quality Parts,Customers Priority,Honest Operation,and Considerate Service”,our business mainly focus on the distribution of electronic components. Line cards we deal with include Microchip,ALPS,ROHM,Xilinx,Pulse,ON,Everlight and Freescale. Main products comprise IC,Modules,Potentiometer,IC Socket,Relay,Connector.Our parts cover such applications as commercial,industrial, and automotives areas.

We are looking forward to setting up business relationship with you and hope to provide you with the best service and solution. Let us make a better world for our industry!



Contact us

Tel: +86-755-8981 8866 Fax: +86-755-8427 6832

Email & Skype: info@chipsmall.com Web: www.chipsmall.com

Address: A1208, Overseas Decoration Building, #122 Zhenhua RD., Futian, Shenzhen, China



Thermofit Molded Parts

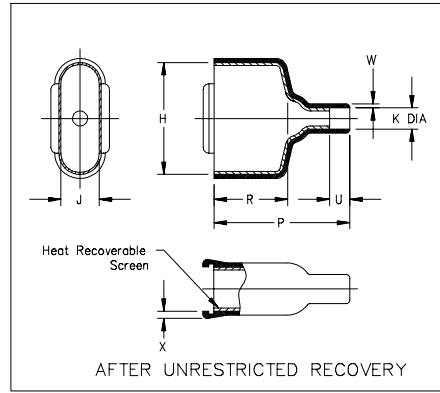
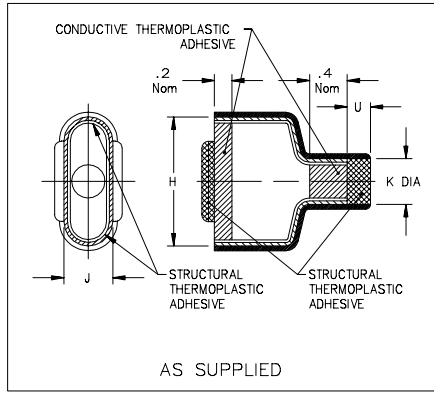
Specification Control Drawing

Limited Distribution

Part Number : 214A0XX-3S/200
 Description : Boot, Rectangular, D-Subminiature, Straight, with Heat Recoverable Screen

NOTES

- All dimensions are in $\frac{\text{Inches}}{\text{(Millimeters)}}$
- Dimensions appearing in table are as follows:
 a - as supplied
 b - after unrestricted recovery
- Coating is standard. As supplied dimensions appearing in table are for uncoated parts. When coating is added entry diameters will be reduced by .06 max.
 a - Conductive thermoplastic adhesive
 b - Structural thermoplastic adhesive



Part Number	H		J		K		P Ref b	R Ref b	U		W ±20% b	X ±20% b
	Min a	±5% b	Min a	±5% b	Min a	Max b			Min a	±20% b		
214A011-3S/200	.82 [20.8]	.80 [20.3]	.62 [15.7]	.42 [10.7]	.35 [9.0]	.16 [4.1]	1.30 [33.0]	.75 [19.0]	.08 [2.0]	.16 [4.0]	.04 [1.0]	.12 [3.0]
214A021-3S/200	1.14 [29.0]	1.11 [28.2]	.62 [15.7]	.42 [10.7]	.43 [11.0]	.21 [5.3]	1.54 [39.0]	.87 [22.0]	.15 [3.8]	.24 [6.0]	.04 [1.0]	.12 [3.0]
214A032-3S/200	1.69 [42.8]	1.66 [42.2]	.62 [15.7]	.42 [10.7]	.59 [15.0]	.32 [8.1]	1.77 [45.0]	.98 [25.0]	.20 [5.0]	.25 [6.3]	.04 [1.0]	.12 [3.0]
214A042-3S/200	2.34 [59.5]	2.31 [58.7]	.59 [15.0]	.42 [10.7]	.75 [19.0]	.34 [8.6]	2.09 [53.0]	1.10 [28.0]	.20 [5.0]	.35 [9.0]	.04 [1.0]	.12 [3.0]
214A052-3S/200	2.28 [58.0]	2.28 [57.9]	.69 [17.5]	.54 [13.7]	.83 [21.0]	.42 [10.7]	2.40 [61.0]	1.26 [32.0]	.26 [6.5]	.39 [10.0]	.04 [1.0]	.12 [3.0]

Raychem

RAYCHEM CORPORATION
 300 CONSTITUTION DRIVE
 MENLO PARK, CALIFORNIA 94025

Revision : D
 Date : 12/1/94

Part Number : 214A0XX-3S/200
 Description : Boot, Rectangular, D-Subminiature, Straight, with Heat Recoverable Screen

Thermofit Molded Parts

Specification Control Drawing

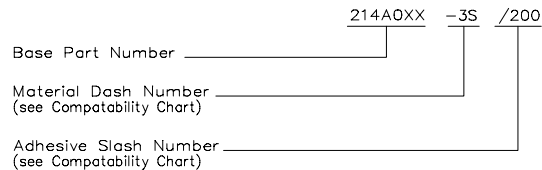
Limited Distribution

Part Number : 214A0XX-3S/200
 Description : Boot, Rectangular, D-Subminiature, Straight, with Heat Recoverable Screen

Material Dash No.	Material Description	RT Spec	Coating Slash No.	Coating S No.	Coating Description
-3S	Polyolefin/Copper Composite	RT-1370	/200	N/A	Adhesives

**If this document is printed it becomes uncontrolled.
 Check for the latest revision.**

Ordering Information



THIS DRAWING IS SUBJECT TO CHANGE WITHOUT NOTICE; CONSULT YOUR NEAREST FIELD REPRESENTATIVE FOR CURRENT REVISION

Raychem

RAYCHEM CORPORATION
 300 CONSTITUTION DRIVE
 MENLO PARK, CALIFORNIA 94025

Revision : D
 Date : 12/1/94

Part Number : 214A0XX-3S/200
 Description : Boot, Rectangular, D-Subminiature, Straight, with Heat Recoverable Screen