



Chipsmall Limited consists of a professional team with an average of over 10 year of expertise in the distribution of electronic components. Based in Hongkong, we have already established firm and mutual-benefit business relationships with customers from,Europe,America and south Asia,supplying obsolete and hard-to-find components to meet their specific needs.

With the principle of “Quality Parts,Customers Priority,Honest Operation,and Considerate Service”,our business mainly focus on the distribution of electronic components. Line cards we deal with include Microchip,ALPS,ROHM,Xilinx,Pulse,ON,Everlight and Freescale. Main products comprise IC,Modules,Potentiometer,IC Socket,Relay,Connector.Our parts cover such applications as commercial,industrial, and automotives areas.

We are looking forward to setting up business relationship with you and hope to provide you with the best service and solution. Let us make a better world for our industry!



Contact us

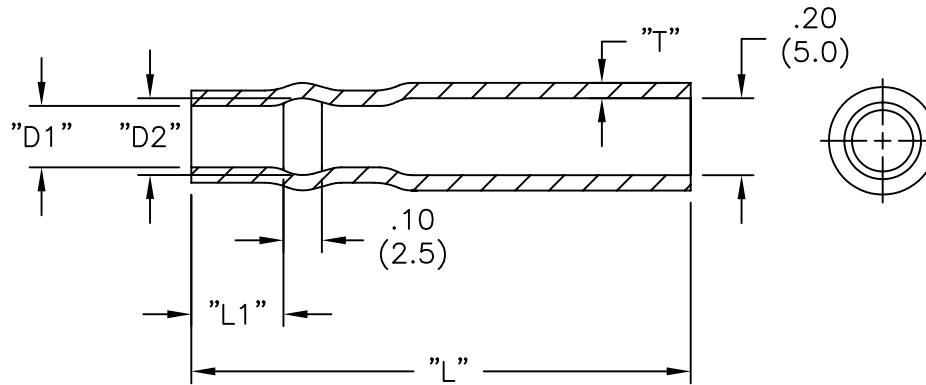
Tel: +86-755-8981 8866 Fax: +86-755-8427 6832

Email & Skype: info@chipsmall.com Web: www.chipsmall.com

Address: A1208, Overseas Decoration Building, #122 Zhenhua RD., Futian, Shenzhen, China



PART #	WIRE O.D. RANGE	WIRE Ga.	"D1"	"D2"	"L1" ±.04 (±1.0)	"L" ±.04 (±1.0)	"T"
215025	.058-.091	22-18	.10(2.5)	.16(4.0)	.24(6.0)	1.30(33.0)	.04(1.0)
215028	.058-.091	22-18	.11(2.8)	.18(4.5)	.24(6.0)	1.34(34.0)	.04(1.0)
215030	.068-.113	20-18	.12(3.0)	.16(4.0)	.24(6.0)	1.30(33.0)	.04(1.0)
215032	.071-.126	18-16	.13(3.2)	.18(4.5)	.28(7.0)	1.34(34.0)	.04(1.0)
215035	.071-.140	18-14	.14(3.5)	.16(4.0)	.24(6.0)	1.30(33.0)	.04(1.0)
215040	.091-.140	16-14	.16(4.0)	.20(5.0)	.24(6.0)	1.30(33.0)	.04(1.0)



NOTES:

1. MATERIAL: SOFT PVC (RMS-55).
2. COLOR: TRANSPARENT BLUE.

A	CHANGED FILE NO. AND TITLE BLOCK	SM 03.21.02
REV	DESCRIPTION	ENGR DATE

TITLE: INSULATING SLEEVE FOR PIN RECEPTACLE				DWG IN IN (MM)		FINAL			
TOLERANCES UNLESS NOTED .XX=±.010 .XXX=±.005 FRAC=±1/64 ANG=±1°		FILE # 2150XX	DWN: D.D.	APP:	PART #		PRINT TYPE		
		MAT'L: SEE NOTES	DT: 05-21-96	DT:	SEE TABLE		CA		
		RE: RICHCO, INC.	RICHCO INC. PO BOX 804238, CHICAGO, 60680 (773) 539-4060						