



Chipsmall Limited consists of a professional team with an average of over 10 year of expertise in the distribution of electronic components. Based in Hongkong, we have already established firm and mutual-benefit business relationships with customers from,Europe,America and south Asia,supplying obsolete and hard-to-find components to meet their specific needs.

With the principle of "Quality Parts,Customers Priority,Honest Operation,and Considerate Service",our business mainly focus on the distribution of electronic components. Line cards we deal with include Microchip,ALPS,ROHM,Xilinx,Pulse,ON,Everlight and Freescale. Main products comprise IC,Modules,Potentiometer,IC Socket,Relay,Connector.Our parts cover such applications as commercial,industrial, and automotives areas.

We are looking forward to setting up business relationship with you and hope to provide you with the best service and solution. Let us make a better world for our industry!



## Contact us

Tel: +86-755-8981 8866 Fax: +86-755-8427 6832

Email & Skype: info@chipsmall.com Web: www.chipsmall.com

Address: A1208, Overseas Decoration Building, #122 Zhenhua RD., Futian, Shenzhen, China



4

3

2

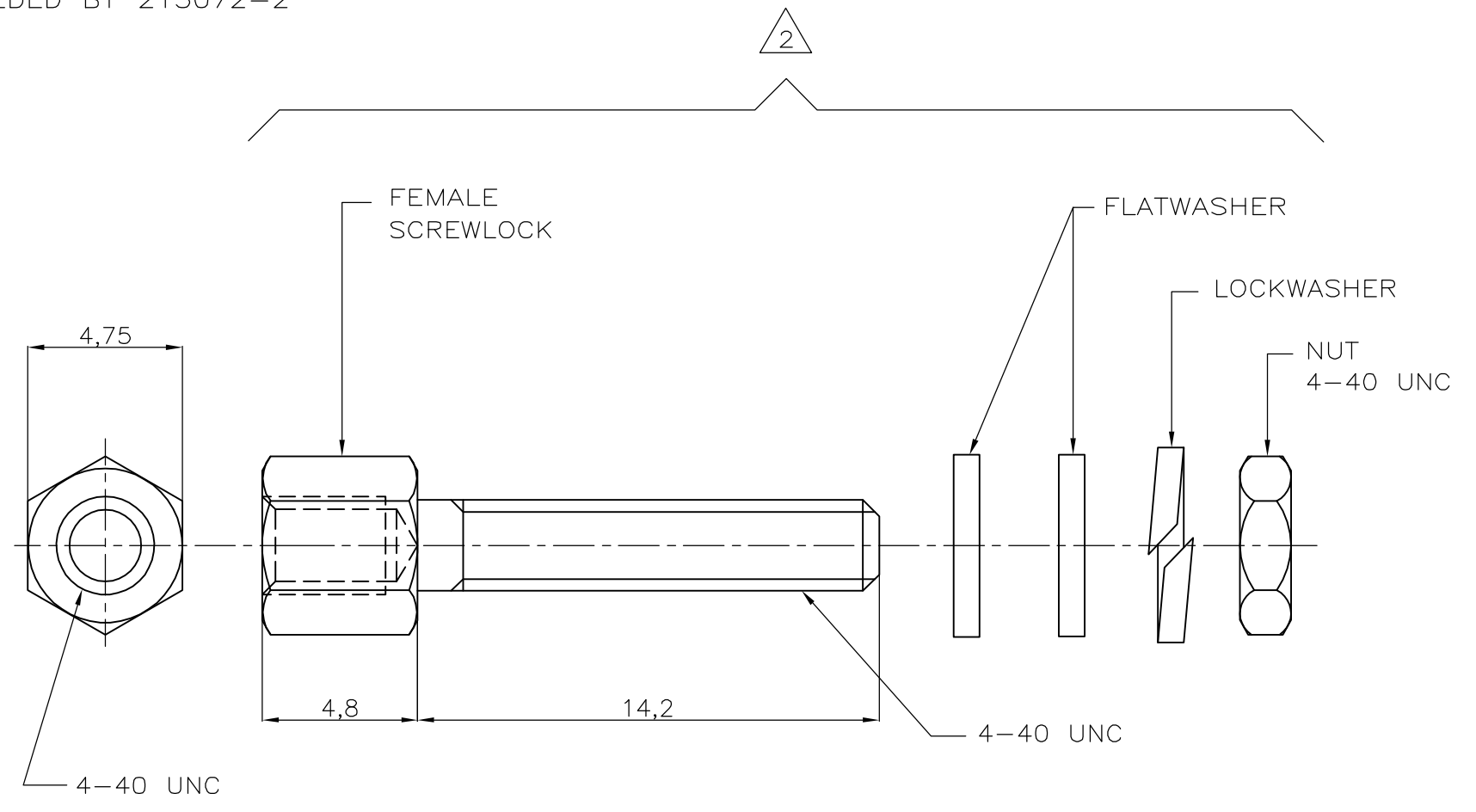
1

THIS DRAWING IS UNPUBLISHED. RELEASED FOR PUBLICATION  
 © COPYRIGHT - BY TYCO ELECTRONICS CORPORATION. ALL RIGHTS RESERVED.

LOC	DIST	REVISIONS					
H	-	P	LTR	DESCRIPTION	DATE	DWN	APVD
		B		ECR-06-020201	06-12-06	BSV	MK

NOTES:

- 1 PARTS PACKAGED UNASSEMBLED
- 2 THIS KIT CONTAINS TWO SCREWLOCK ASSEMBLIES
- 3 BULKPACKAGE CONSISTS OF 50 KITS  
PLEASE ORDER IN UNITS OF 50 KITS
- 4 FOR MOUNTING INSTRUCTIONS SEE I-042-087
- 5 215072-1 SUPERSEDED BY 215072-2



BULK PACKAGED <sup>3</sup>	BRIGHT TINPLATED	STEEL	215072-2
BULK PACKAGED <sup>3</sup>	ZINC YELLOW CHROMATE		<sup>5</sup> 215072-1
DESCRIPTION	FINISH	MATERIAL	PART NUMBER

THIS DRAWING IS A CONTROLLED DOCUMENT.		DWN P.D.JAGER 10APR89	Tyco Electronics Corporation s-HertogenBosch, Nederland,	
DIMENSIONS: MM		CHK - 19APR89		
TOLERANCES UNLESS OTHERWISE SPECIFIED:		APVD - 05JUN89	NAME AMPLIMITE, KIT, FEMALE SCREWLOCK ASSEMBLY 4-40 UNC	
0 PLC ± - 1 PLC ± - 2 PLC ± - 3 PLC ± - 4 PLC ± - ANGLES ± -		PRODUCT SPEC -	SIZE A3	
MATERIAL -		APPLICATION SPEC -	CAGE CODE 00779	DRAWING NO C-215072
FINISH -		WEIGHT -	RESTRICTED TO -	
CUSTOMER DRAWING			SCALE NTS	SHEET 1 OF 1
			REV B	