



Chipsmall Limited consists of a professional team with an average of over 10 year of expertise in the distribution of electronic components. Based in Hongkong, we have already established firm and mutual-benefit business relationships with customers from,Europe,America and south Asia,supplying obsolete and hard-to-find components to meet their specific needs.

With the principle of “Quality Parts,Customers Priority,Honest Operation,and Considerate Service”,our business mainly focus on the distribution of electronic components. Line cards we deal with include Microchip,ALPS,ROHM,Xilinx,Pulse,ON,Everlight and Freescale. Main products comprise IC,Modules,Potentiometer,IC Socket,Relay,Connector.Our parts cover such applications as commercial,industrial, and automotives areas.

We are looking forward to setting up business relationship with you and hope to provide you with the best service and solution. Let us make a better world for our industry!



Contact us

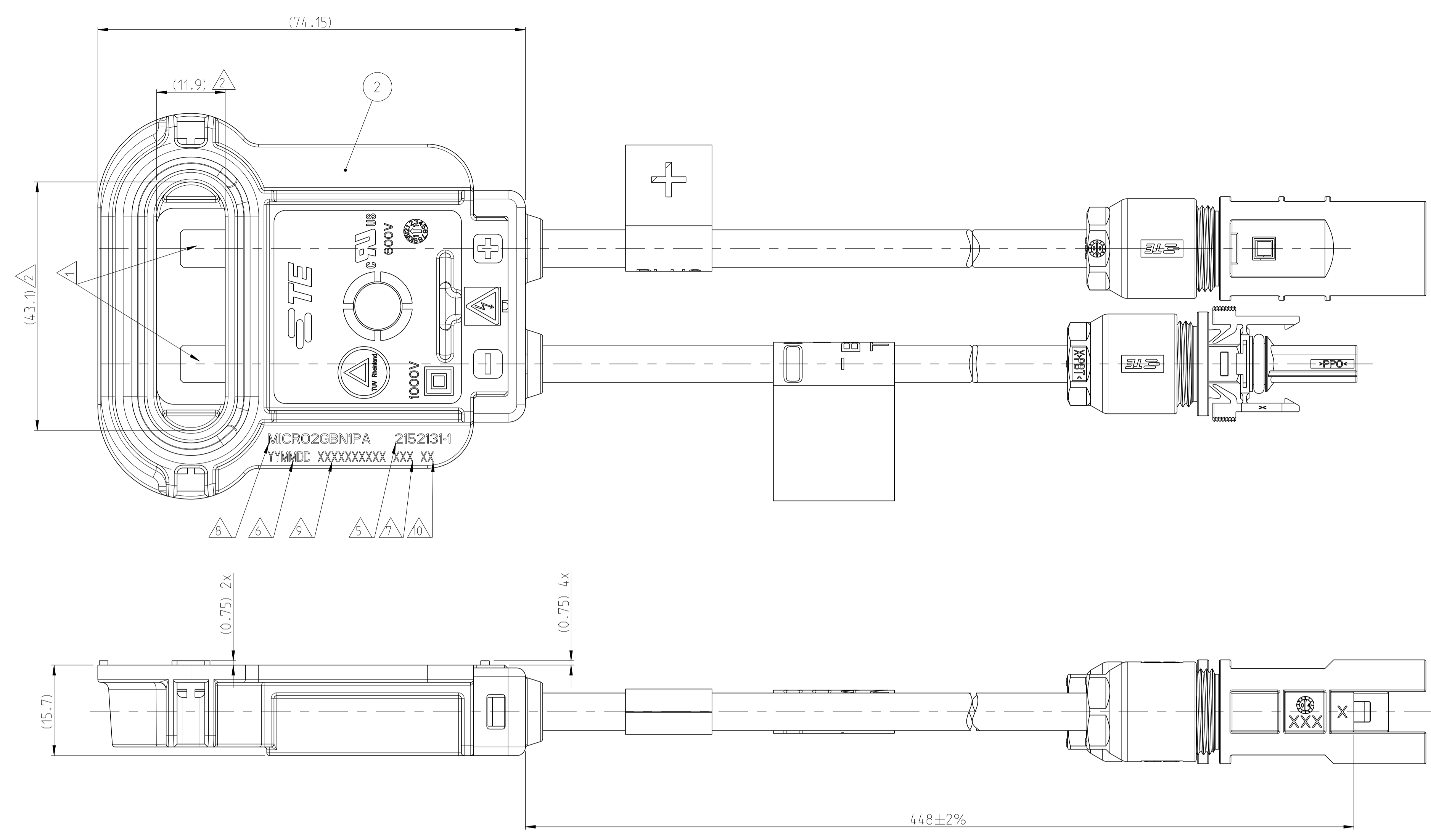
Tel: +86-755-8981 8866 Fax: +86-755-8427 6832

Email & Skype: info@chipsmall.com Web: www.chipsmall.com

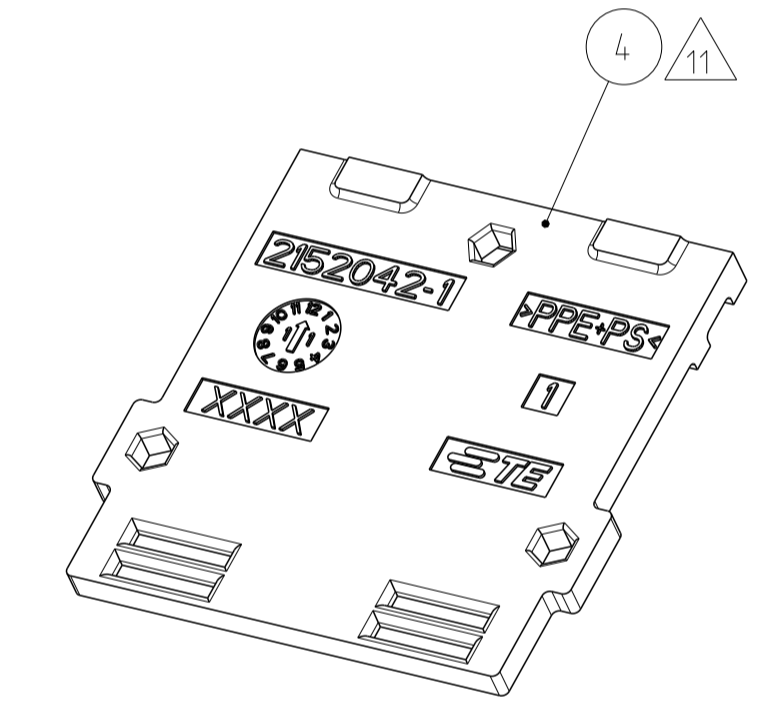
Address: A1208, Overseas Decoration Building, #122 Zhenhua RD., Futian, Shenzhen, China



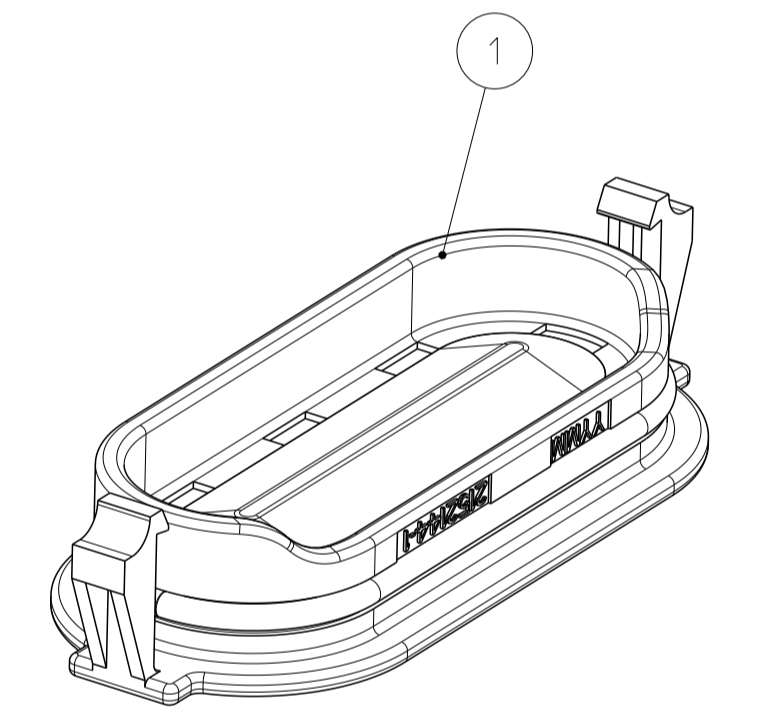
LOC	DIST	REVISIONS					
		P	LTN	DESCRIPTION	DATE	OWN	APVD
		B1		LASER PRINTER ADDED	10OCT2012	V.P	T.J
		C		BOTTOM COVER REMOVED FROM HOUSING	13FEB2015	KR	TD



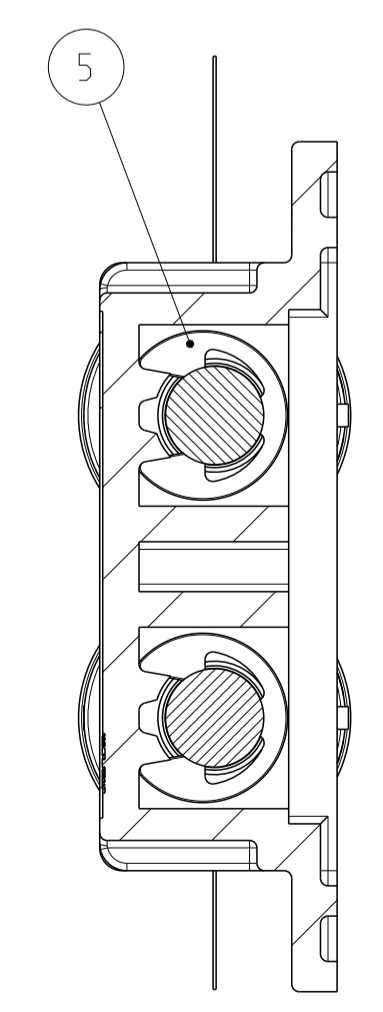
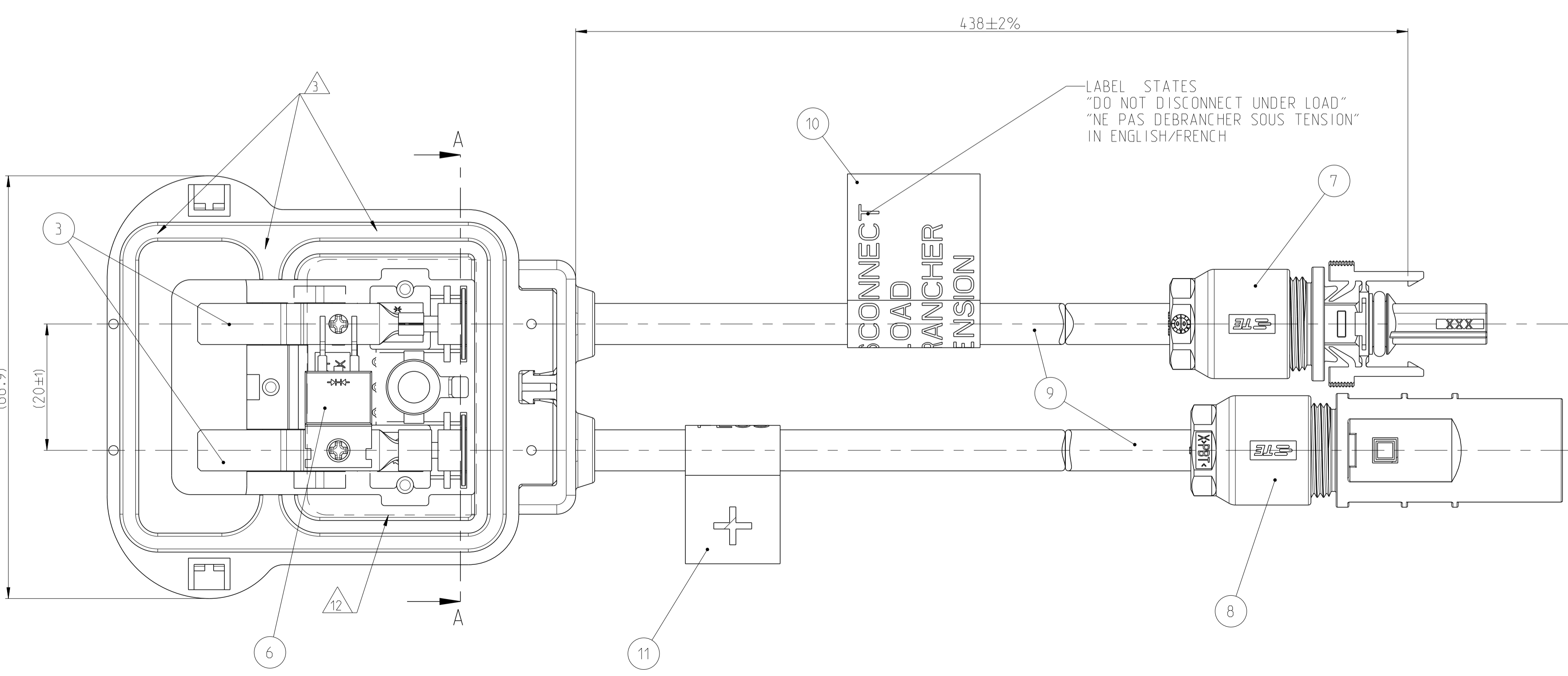
- MATERIAL:**
 HOUSING: MODIFIED POLYPHENYLENE ETHER, COLOR: BLACK, UL94 5VA, F1 RATED.
 CONTACT COVER: MODIFIED POLYPHENYLENE ETHER, COLOR: BLACK, UL94 5VA, F1 RATED.
 CONNECTOR: POLYPHENYLENE OXIDE, COLOR: BLACK, UL94V-0, F1 RATED.
 TERMINAL: TIN PLATED COPPER ALLOY.
 DIODE VOLTAGE: 150VDC MAX.
 CABLE: 4.0MM² DOUBLE INSULATED PV CABLE (UL & TUV APPROVED).
- REQUIREMENTS/RATINGS:**
 ROHS COMPLIANT.
 OPERATION TEMPERATURE: -40° TO +90°C
 VOLTAGE: 1000 VDC TUV:600V UL.
 CURRENT: 8 AMP MAX.
- △ THIS AREA TO BE FILLED WITH SHIN-ETSU KE-210F (OR EQUIVALENT) POTTING COMPOUND BY CUSTOMER, PRIOR TO FIELD INSTALLATION.
 - △ SEALANT GROOVE TO BE FILLED WITH DOW CORNING PV-804 ADHESIVE (OR EQUIVALENT) PRIOR TO PLACEMENT ON MOUNTING SURFACE.
 - △ CONTACT COVER INSTALLED AFTER POTTING CAVITY IS FILLED.
 - △ PART NUMBER.
 - △ PRODUCTION DATE (YYMMDD).
 - △ MANUFACTURING LOCATION CODE.
 - △ MODEL CODE ACCORDING TO TE-SPEC. 404-74000-1.
 - △ CONSECUTIVE SERIAL NUMBER.
 - △ TEST EQUIPMENT NUMBER.
 - △ BOTTOM COVER SHIPPED UNASSEMBLED TO HOUSING.
 - △ THIS AREA TO BE FILLED WITH POTTING COMPOUND BY CUSTOMER PRIOR TO FIELD INSTALLATION. POTTING VOLUME = 5.00 cm³.



BOTTOM COVER



CONTACT COVER
Scale 2:1



Section A-A

PIECES	ITEM-NO.	DESCRIPTION	SURFACE COLOUR	MATERIAL
1-2152131-1	2152131-1	PART-NO.		
1	-	13	PV4 SOCKET CONNECTOR PRE-ASSEMBLED, PLUS CODED	-
1	-	12	PV4 PIN CONNECTOR PRE-ASSEMBLED, MINUS CODED	-
1	1	11	LABEL "PLUS", PN 1718078-1	WHITE POLYESTER
1	1	10	LABEL (DO NOT DISCONNECT UNDER LOAD), PN 1718077-4	WHITE POLYESTER
AR	AR	9	SOLAR CABLE DUAL RATED (TUV/UL) 4mm ² /12 AWG, PN 1983530-2	BLACK -
-	1	8	CONNECTOR (PIN), NEUTRAL CODED, PN 6-1394461-2	BLACK PPE+PS
-	1	7	CONNECTOR (SOCKET), MINUS CODED, PN 1394462-4	BLACK PPE+PS
1	1	6	BYPASS DIODE, SMD	-
2	2	5	E-RING	PLAIN STAINLESS STEEL
1	1	4	COVER BOTTOM	BLACK PPE+PS
2	2	3	CONTACT	TIN PLATED CuSn
1	1	2	HOUSING MAIN NG, WITH STANDOFFS	BLACK PPE+PS
1	1	1	CONTACT COVER	BLACK PPE+PS

THIS DRAWING IS A CONTROLLED DOCUMENT. OWN: K. SALZMANN 13OCT2011
 CHK: A.W. OBER 13OCT2011
 APVD: A.W. OBER 13OCT2011

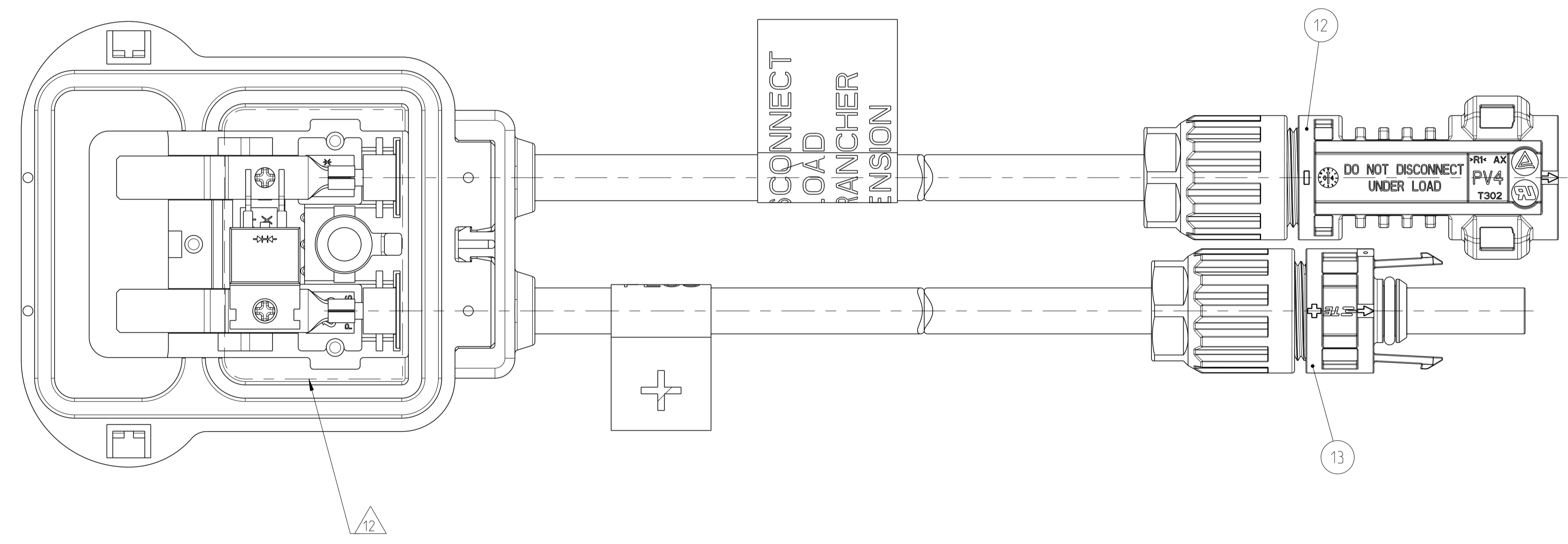
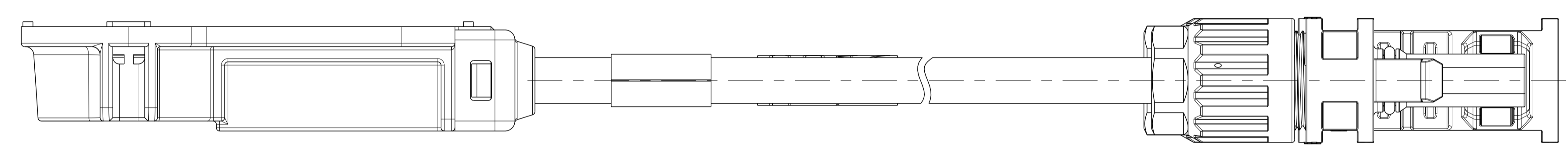
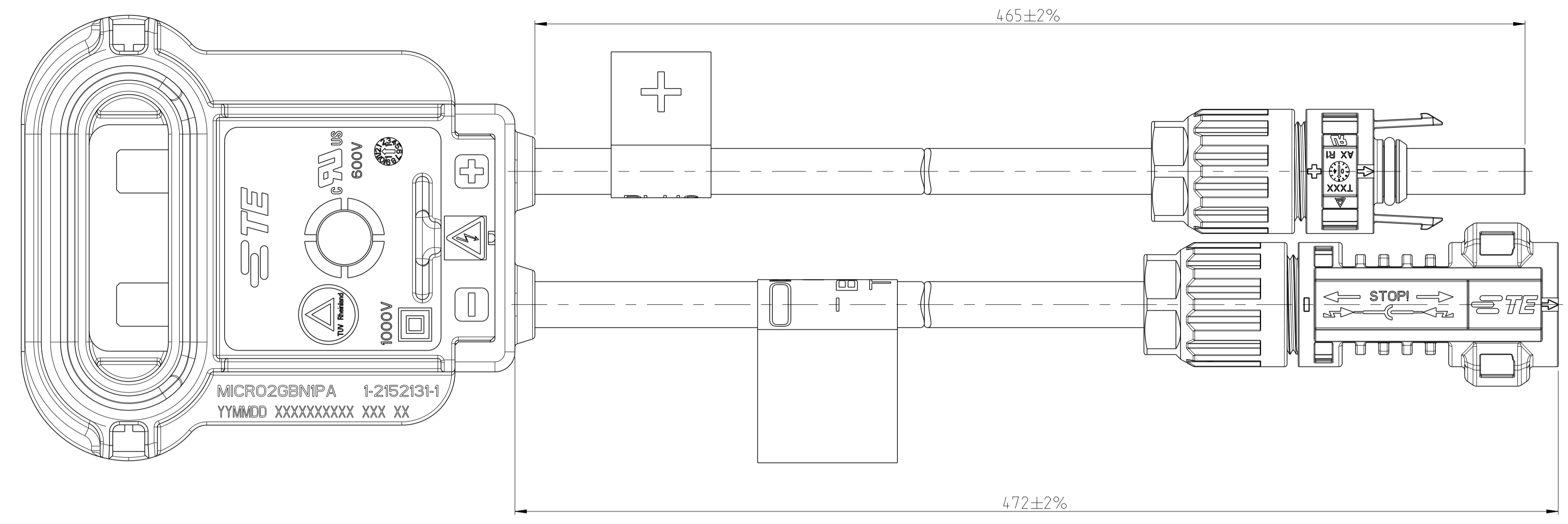
DIMENSIONS: mm
 TOLERANCES UNLESS OTHERWISE SPECIFIED:
 0 PLC # # # #
 1 PLC # # # #
 2 PLC # # # #
 3 PLC # # # #
 4 PLC # # # #
 ANGLES # # # #
 FINISH # # # #

MATERIAL: -
 FINISH: -

Customer Drawing

NAME: ASSEMBLY HOUSING MICRO SOLARLOK NEXT GEN.
 SIZE: A1
 CAGE CODE: 00779
 DRAWING NO: C=2152131
 SCALE: 2:1
 SHEET: 1 OF 2
 REV: C

LOC		DIST		REVISIONS			
A	1	P	LTH	DESCRIPTION	DATE	OWN	APVD
		-		SEE SHEET 1	-	-	-



MISSING DIMENSION AND NOTES. PLEASE SEE SHEET No.1

1- -1 AS SHOWN

THIS DRAWING IS A CONTROLLED DOCUMENT.		OWN: K.SALZMANN 130CT2011	TE Connectivity
DIMENSIONS: mm		CHK: A.W.ÖBER 130CT2011	
TOLERANCES UNLESS OTHERWISE SPECIFIED:		APVD: A.W.ÖBER 130CT2011	NAME: ASSEMBLY HOUSING MICRO SOLARLOK NEXT GEN.
0 PLC	#	PRODUCT SPEC	SIZE: A1
1 PLC	#	APPLICATION SPEC	CAGE CODE: 00779
2 PLC	#	WEIGHT	DRAWING NO: C=2152131
3 PLC	#	RESTRICTED TO	SCALE: 2:1
4 PLC	#	Customer Drawing	SHEET: 2 OF 2
ANGLES	#		REV: C
FINISH	#		