



Chipsmall Limited consists of a professional team with an average of over 10 year of expertise in the distribution of electronic components. Based in Hongkong, we have already established firm and mutual-benefit business relationships with customers from,Europe,America and south Asia,supplying obsolete and hard-to-find components to meet their specific needs.

With the principle of “Quality Parts,Customers Priority,Honest Operation,and Considerate Service”,our business mainly focus on the distribution of electronic components. Line cards we deal with include Microchip,ALPS,ROHM,Xilinx,Pulse,ON,Everlight and Freescale. Main products comprise IC,Modules,Potentiometer,IC Socket,Relay,Connector.Our parts cover such applications as commercial,industrial, and automotives areas.

We are looking forward to setting up business relationship with you and hope to provide you with the best service and solution. Let us make a better world for our industry!



## Contact us

Tel: +86-755-8981 8866 Fax: +86-755-8427 6832

Email & Skype: info@chipsmall.com Web: www.chipsmall.com

Address: A1208, Overseas Decoration Building, #122 Zhenhua RD., Futian, Shenzhen, China



THIS DRAWING IS UNPUBLISHED.

RELEASED FOR PUBLICATION

METRIC

LOC

DIST

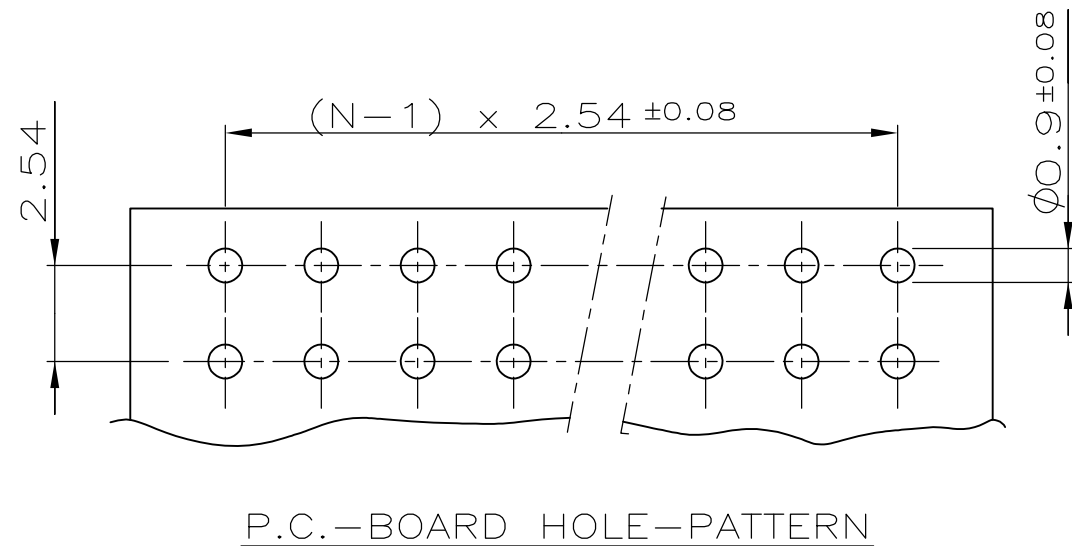
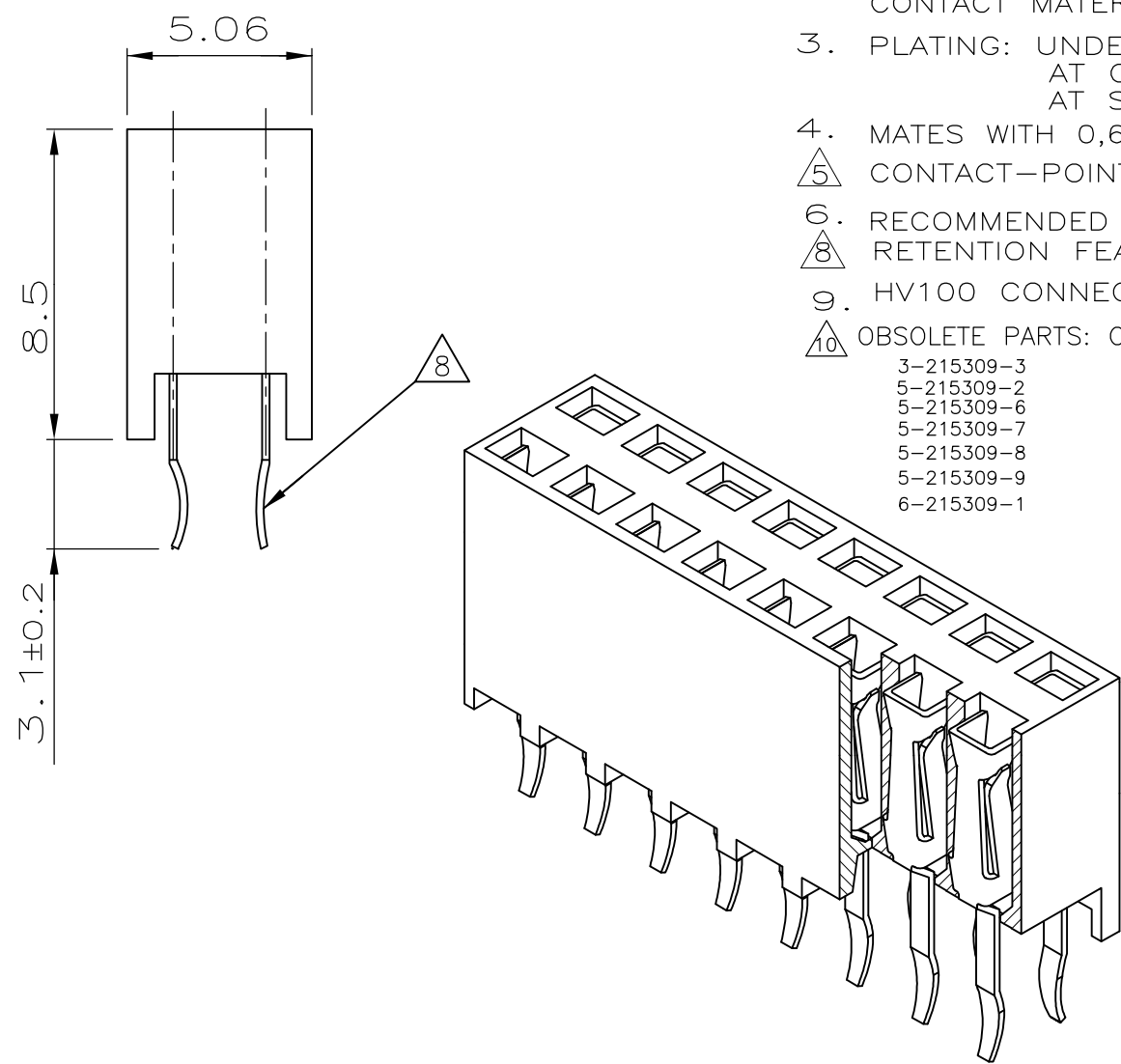
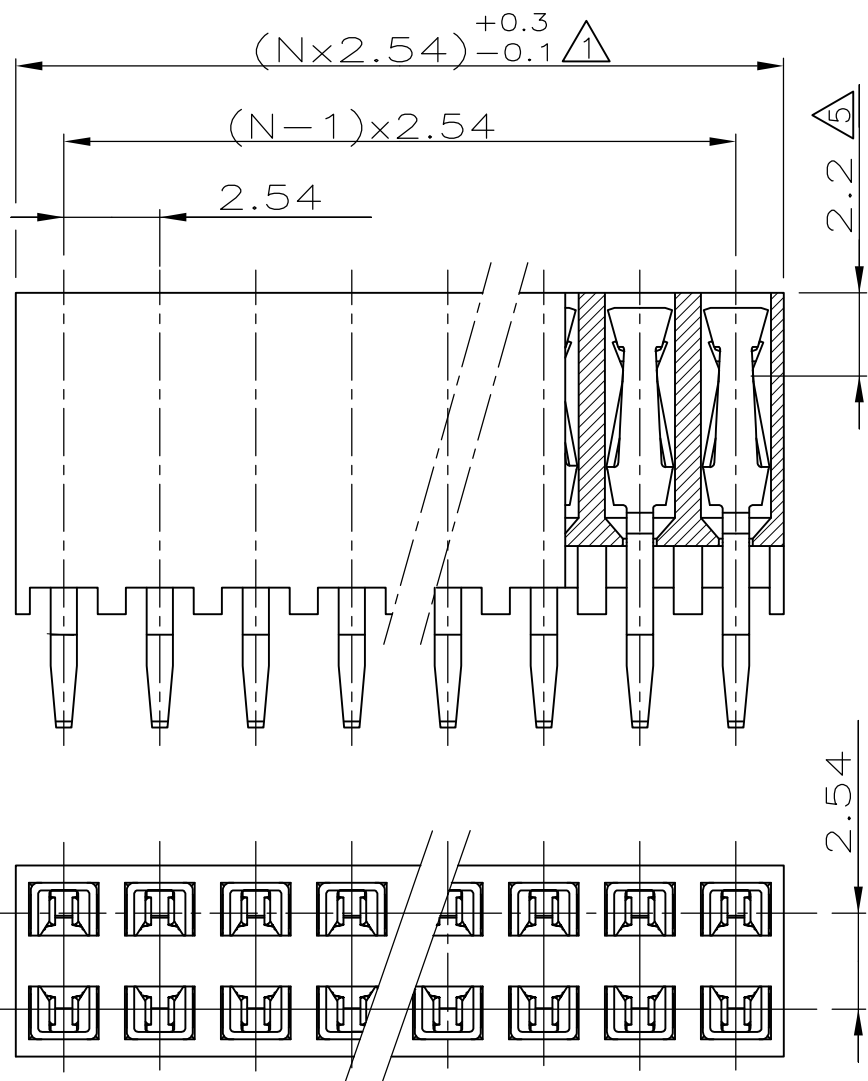
REVISIONS

© COPYRIGHT - By -

ALL RIGHTS RESERVED.

P	LTR	DESCRIPTION	DATE	DWN	APVD
	C4	REVISED PER ECR-11-025934	28DEC11	RK	HMR

- NOTES:
- TO DETERMINE DIMENSIONS TAKE  $2 \times N = \text{NR. OF POS.}$ .  
 FOR EXAMPLE:  $2 \times 10 \text{ POS.} = N \times 2,54 = 25,4 \text{ mm.}$   
 FOR ORDERNR. USE BASIC NR. + NR. OF POS.  
 FOR EXAMPLE:  $2 \times 2 \text{ POS.} = 215\ 309-2$  (SHORTEST VERSION)  
 $2 \times 36 \text{ POS.} = 3-215\ 309-6$  (LONGEST VERSION)
  - HOUSING MATERIAL: GREEN GLASSFILLED POLYESTER, UL 94V-0  
 CONTACT MATERIAL: PHOSPHORBRONZE.
  - PLATING: UNDERCOATING:  $1,3\ \mu\text{m Ni.}$   
 AT CONT.PLACE:  $0,8\ \mu\text{m Au.}$   
 AT SOLDER-TYNES: MIN.  $2,5\ \mu\text{m Sn.}$
  - MATES WITH 0,63 SQUARE/ROUND MODU POSTS.
  - CONTACT-POINT.
  - RECOMMENDED P.C.BOARD-THICKNESS: 1,6.
  - RETENTION FEATURE.
  - HV100 CONNECTOR PACKED IN ANTISTATIC BLISTER
  - OBSOLETE PARTS: OBSOLETE CIS STREAMLINING PER D.RENAUD/D.SINISI
- 3-215309-3  
 5-215309-2  
 5-215309-6  
 5-215309-7  
 5-215309-8  
 5-215309-9  
 6-215309-1



VERWENDET FÜR E 92-9803	SEE NOTES FINISH	SEE NOTES MATERIAL	SEE NOTES PARTNUMBER
----------------------------	---------------------	-----------------------	-------------------------

THIS DRAWING IS A CONTROLLED DOCUMENT.		DWN L.V.D.HEYDEN 09.07.86	<b>STE</b> TE Connectivity	
DIMENSIONS: mm		CHK W.SIMONS		
TOLERANCES UNLESS OTHERWISE SPECIFIED:		APVD L.v.SOEST	HV 100 VERTICAL CONNECTOR DUAL ROW, 8,5mm HEIGHT, TOP ENTRY, GOLD, MAX. 2X36 POSITIONS	
0 PLC ± -		PRODUCT SPEC	SIZE	CAGE CODE
1 PLC ± 0.1		APPLICATION SPEC	DRAWING NO	
2 PLC ± -		WEIGHT	RESTRICTED TO	
3 PLC ± -		A3 00779 C-215309		
4 PLC ± -		CUSTOMER DRAWING		
ANGLES ± -		SCALE	SHEET	REV
FINISH		5:1	1 OF 1	C4