



Chipsmall Limited consists of a professional team with an average of over 10 year of expertise in the distribution of electronic components. Based in Hongkong, we have already established firm and mutual-benefit business relationships with customers from,Europe,America and south Asia,supplying obsolete and hard-to-find components to meet their specific needs.

With the principle of “Quality Parts,Customers Priority,Honest Operation,and Considerate Service”,our business mainly focus on the distribution of electronic components. Line cards we deal with include Microchip,ALPS,ROHM,Xilinx,Pulse,ON,Everlight and Freescale. Main products comprise IC,Modules,Potentiometer,IC Socket,Relay,Connector.Our parts cover such applications as commercial,industrial, and automotives areas.

We are looking forward to setting up business relationship with you and hope to provide you with the best service and solution. Let us make a better world for our industry!



Contact us

Tel: +86-755-8981 8866 Fax: +86-755-8427 6832

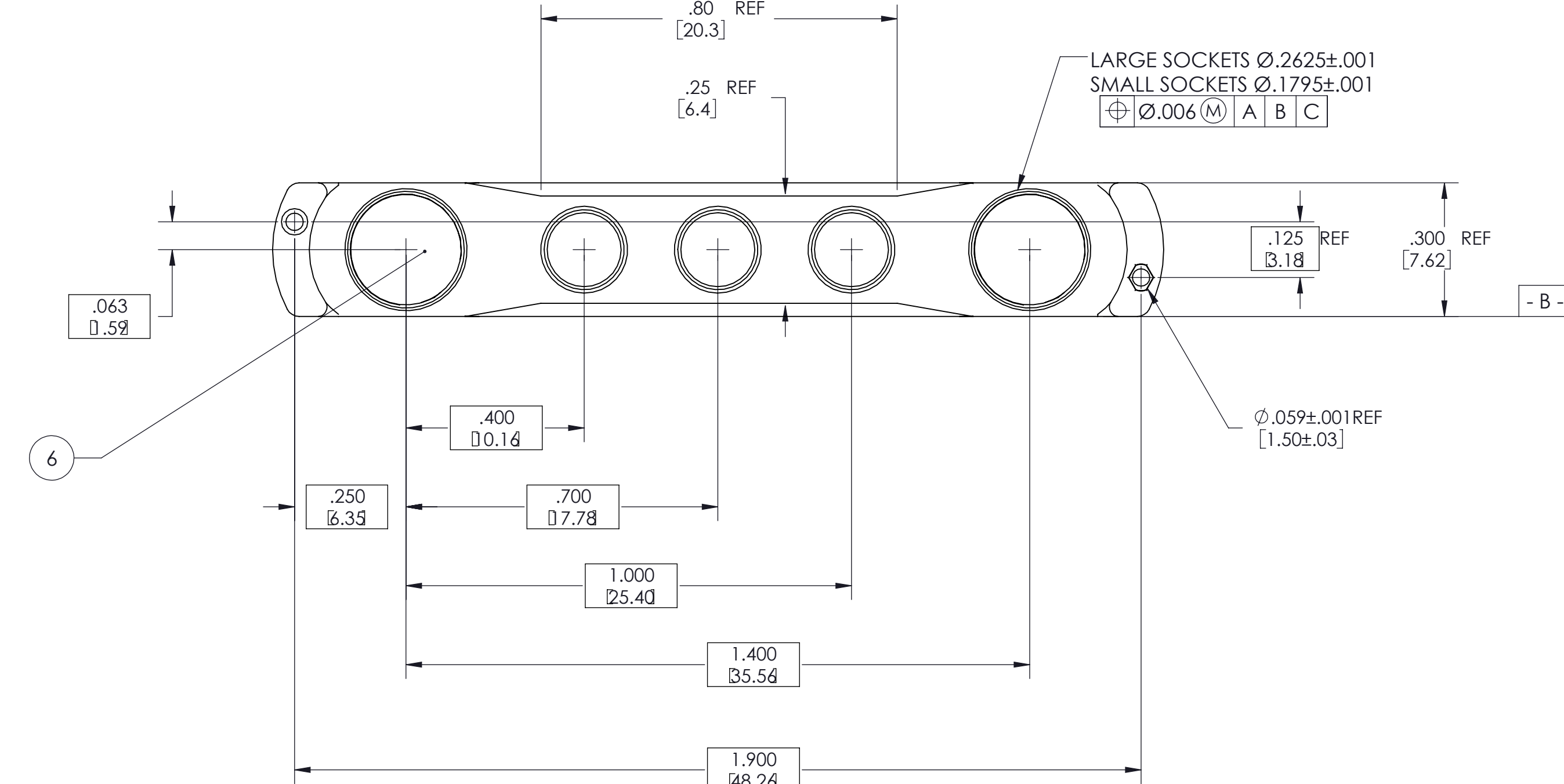
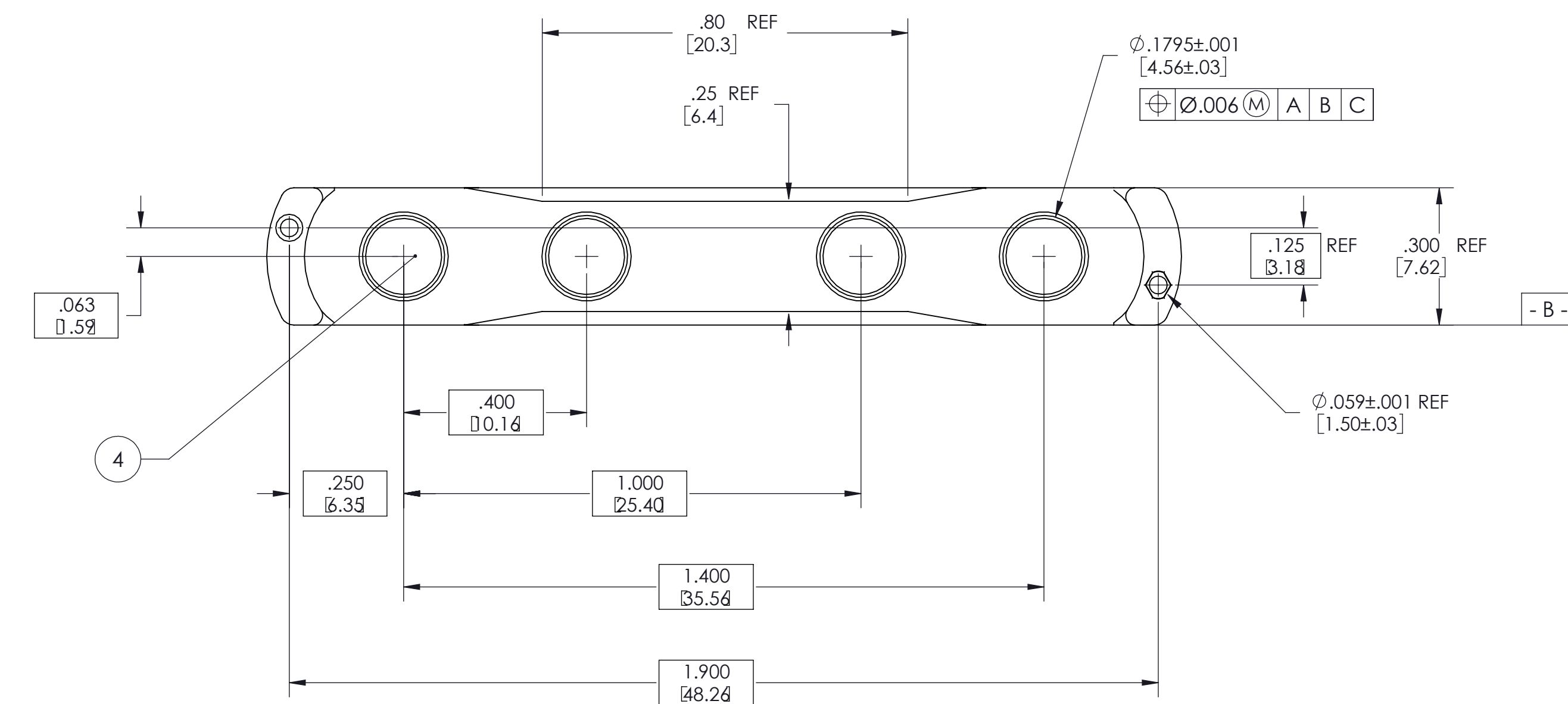
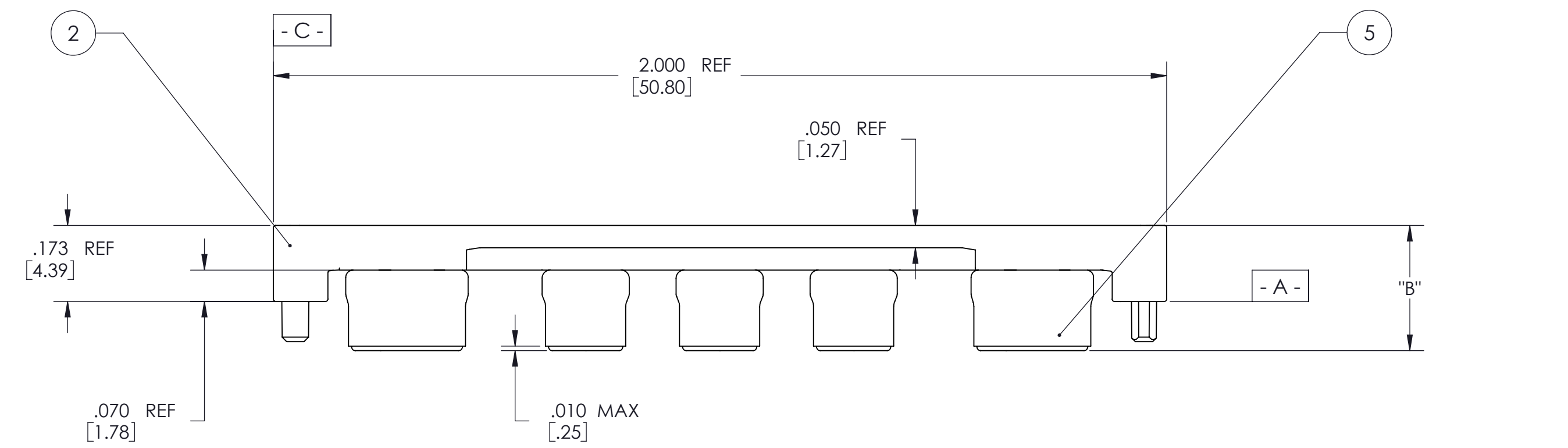
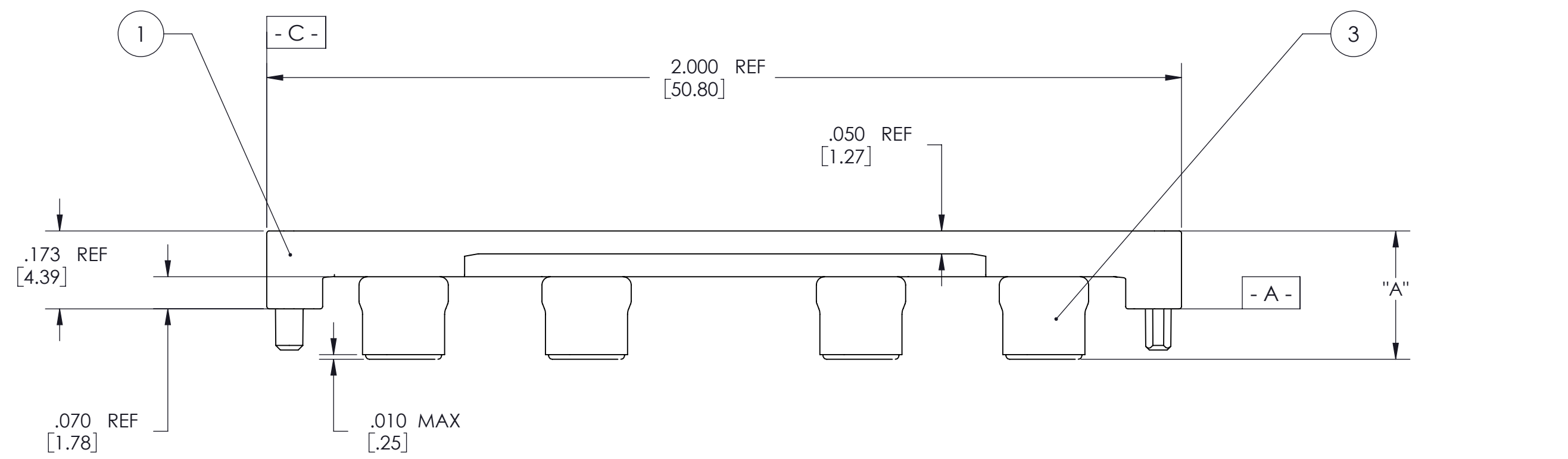
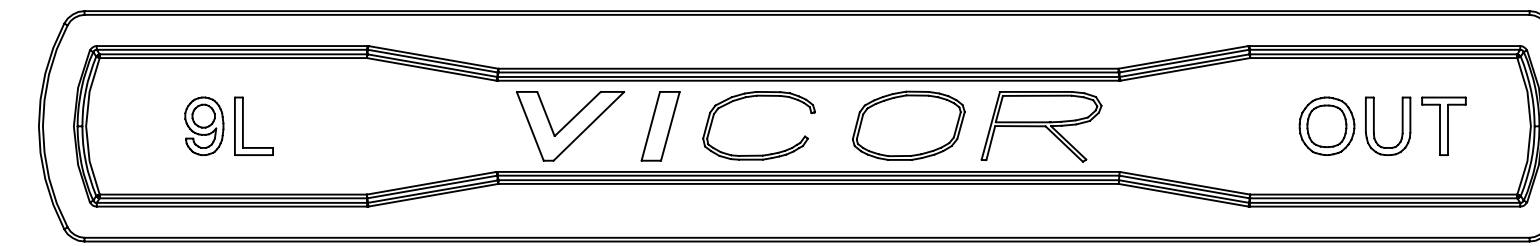
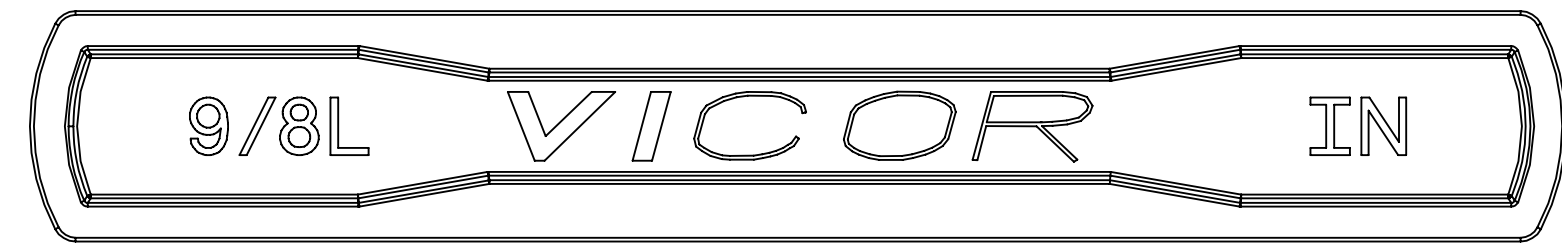
Email & Skype: info@chipsmall.com Web: www.chipsmall.com

Address: A1208, Overseas Decoration Building, #122 Zhenhua RD., Futian, Shenzhen, China



VICOR CONFIDENTIAL
 THIS DOCUMENT AND THE DATA DISCLOSED HEREIN OR
 HEREWITH IS NOT TO BE REPRODUCED, USED OR
 DISCLOSED IN ANY MANNER OR IN PART TO ANYONE WITHOUT
 THE PERMISSION OF VICOR CORP.

REV.	DESCRIPTION	DATE	APPROVED
1	RELEASED PER E0230307	07/11/02	JMR
2	REVISED PER E080070	01/11/08	REJH
3	REVISED PER E091753	09/29/09	REJH
4	REVISED PER E092276	12/30/09	REJH
5	REVISED PER E120065	01/20/12	KUK



DASH NO.	SOCKET BODY LENGTH	DIM "A"	DIM "B"	INPUT	OUTPUT	KIT#
-01	.100/2.54	.280/7.11	.280/7.11	18378	18388	18364
-02	.135/3.43	.315/8.00	.315/8.00	18379	18389	18365
-03	.160/4.06	.340/8.64	.340/8.64	21539	21543	21510

- NOTE:
 1. MATERIALS: INMATES: PPS RYTON 7
 SOCKETS: BE-CU #25, Au PLATED.
 2. FULLY SEAT SOCKET INTO INMATE HEADER.
 3. ROHS COMPLIANT PER CST-0001 LATEST REVISION.

DRAWN BY: Lap Nguyen DATE: 6/99
 UNLESS OTHERWISE SPECIFIED DIMENSIONS ARE: INCH / (MM)
 TOLERANCES ARE: DECIMALS ANGLES
 XXX (X) ± .001 (0.25) ± 1°
 XXXX (X.X) ± .0005 (0.127)
 THIRD ANGLE PROJECTION
 DO NOT SCALE DRAWING

VICOR
 DWG, VI-900
 INMATE/SOCKET, BOB

SIZE: D CAGE CODE: 67131 DWG NO: 18480-XX REV: 5
 SCALE: 4:1 SHEET 1 OF 1

