



Chipsmall Limited consists of a professional team with an average of over 10 year of expertise in the distribution of electronic components. Based in Hongkong, we have already established firm and mutual-benefit business relationships with customers from,Europe,America and south Asia,supplying obsolete and hard-to-find components to meet their specific needs.

With the principle of “Quality Parts,Customers Priority,Honest Operation,and Considerate Service”,our business mainly focus on the distribution of electronic components. Line cards we deal with include Microchip,ALPS,ROHM,Xilinx,Pulse,ON,Everlight and Freescale. Main products comprise IC,Modules,Potentiometer,IC Socket,Relay,Connector.Our parts cover such applications as commercial,industrial, and automotives areas.

We are looking forward to setting up business relationship with you and hope to provide you with the best service and solution. Let us make a better world for our industry!



Contact us

Tel: +86-755-8981 8866 Fax: +86-755-8427 6832

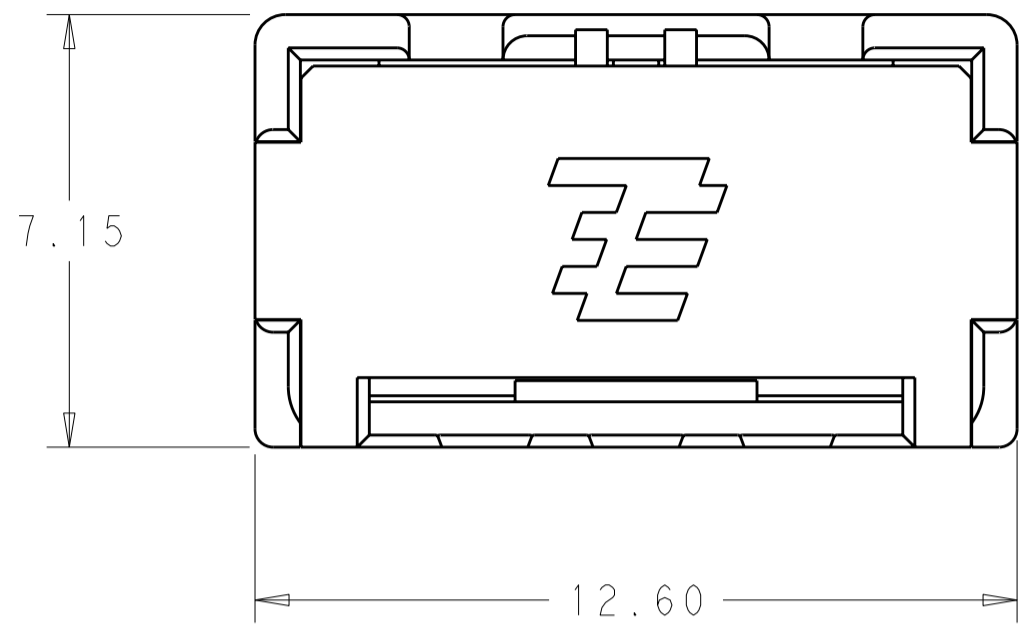
Email & Skype: info@chipsmall.com Web: www.chipsmall.com

Address: A1208, Overseas Decoration Building, #122 Zhenhua RD., Futian, Shenzhen, China

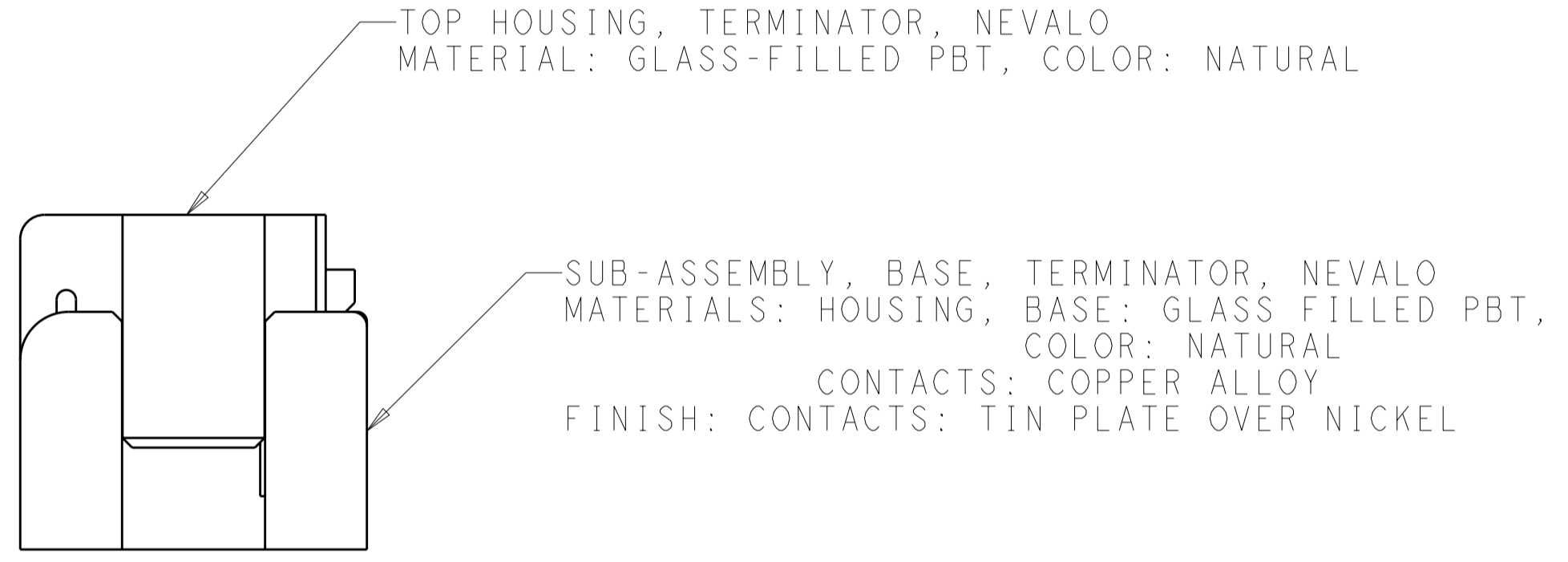
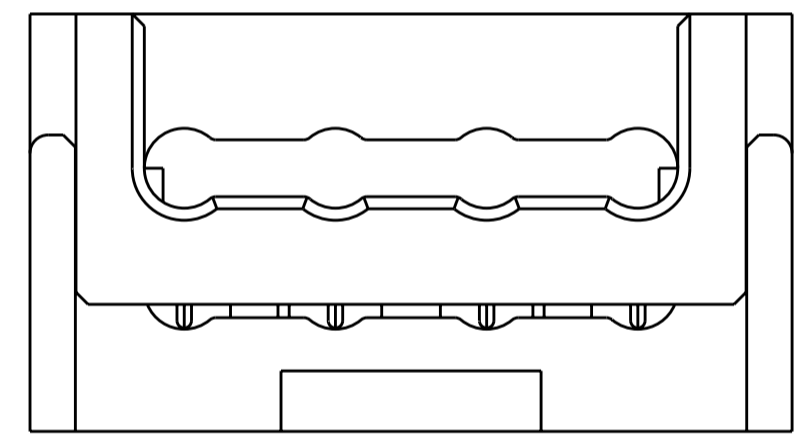


THIS DRAWING IS UNPUBLISHED. RELEASED FOR PUBLICATION 20
 © COPYRIGHT 20 BY TYCO ELECTRONICS CORPORATION. ALL INTERNATIONAL RIGHTS RESERVED.

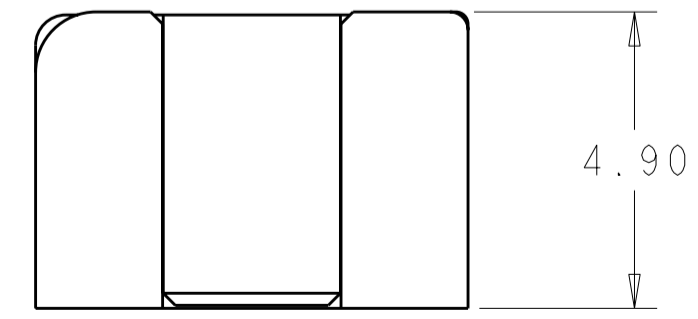
LOC		DIST		REVISIONS			
P	LTR	DESCRIPTION	DATE	DWN	APVD		
	1	PROPOSED	23JUN2010	APB	BC		
	2	ADD NOTES 3,4,5; CHG COLOR TO NATURAL	30SEP2010	WVS	BC		
	3	REMOVE OPEN DIM 6.90	29DEC2010	WVS	BC		



1. PART SHIPPED IN OPEN POSITION
2. COMPATIBLE WITH ALL NEVALO SYSTEM COLORS.
3. MUST COMPLY WITH DIRECTIVE 2002/95/EC (ROHS)
4. PACKAGING (TBD).
5. PRODUCT HAS NOT COMPLETED VALIDATION TESTING.



OPEN POSITION



CLOSED POSITION

TYCO ELECTRONICS
 CONFIDENTIAL
 AND PROPRIETARY

PROPOSED DESIGN
 NOT PRODUCTION TOOLED

DESIGN IS SUBJECT TO
 CHANGE WITHOUT NOTICE

THIS DRAWING IS A CONTROLLED DOCUMENT FOR TYCO ELECTRONICS CORPORATION IT IS SUBJECT TO CHANGE AND THE CONTROLLING ENGINEERING ORGANIZATION SHOULD BE CONTACTED FOR THE LATEST REVISION.		DWN ARJUN 23JUN2010	Tyco Electronics Corporation Harrisburg, PA 17105-3608	
DIMENSIONS: mm		CHK B.CHANEY 09JUL2010	NAME ASSEMBLY, TERMINATOR, NEVALO	
TOLERANCES UNLESS OTHERWISE SPECIFIED: 0 PLC ± 1 PLC ± 2 PLC ±0.20 3 PLC ± 4 PLC ± ANGLES ± FINISH		APVD -	PRODUCT SPEC 108-2442	RESTRICTED TO -
MATERIAL -		APPLICATION SPEC 114-13290	WEIGHT -	SIZE A200779
		CUSTOMER DRAWING	SCALE 8:1	DRAWING NO C-2154014
			SHEET 1 OF 1	REV 3

2154014-1
 PART NO.