



Chipsmall Limited consists of a professional team with an average of over 10 year of expertise in the distribution of electronic components. Based in Hongkong, we have already established firm and mutual-benefit business relationships with customers from,Europe,America and south Asia,supplying obsolete and hard-to-find components to meet their specific needs.

With the principle of “Quality Parts,Customers Priority,Honest Operation,and Considerate Service”,our business mainly focus on the distribution of electronic components. Line cards we deal with include Microchip,ALPS,ROHM,Xilinx,Pulse,ON,Everlight and Freescale. Main products comprise IC,Modules,Potentiometer,IC Socket,Relay,Connector.Our parts cover such applications as commercial,industrial, and automotives areas.

We are looking forward to setting up business relationship with you and hope to provide you with the best service and solution. Let us make a better world for our industry!



Contact us

Tel: +86-755-8981 8866 Fax: +86-755-8427 6832

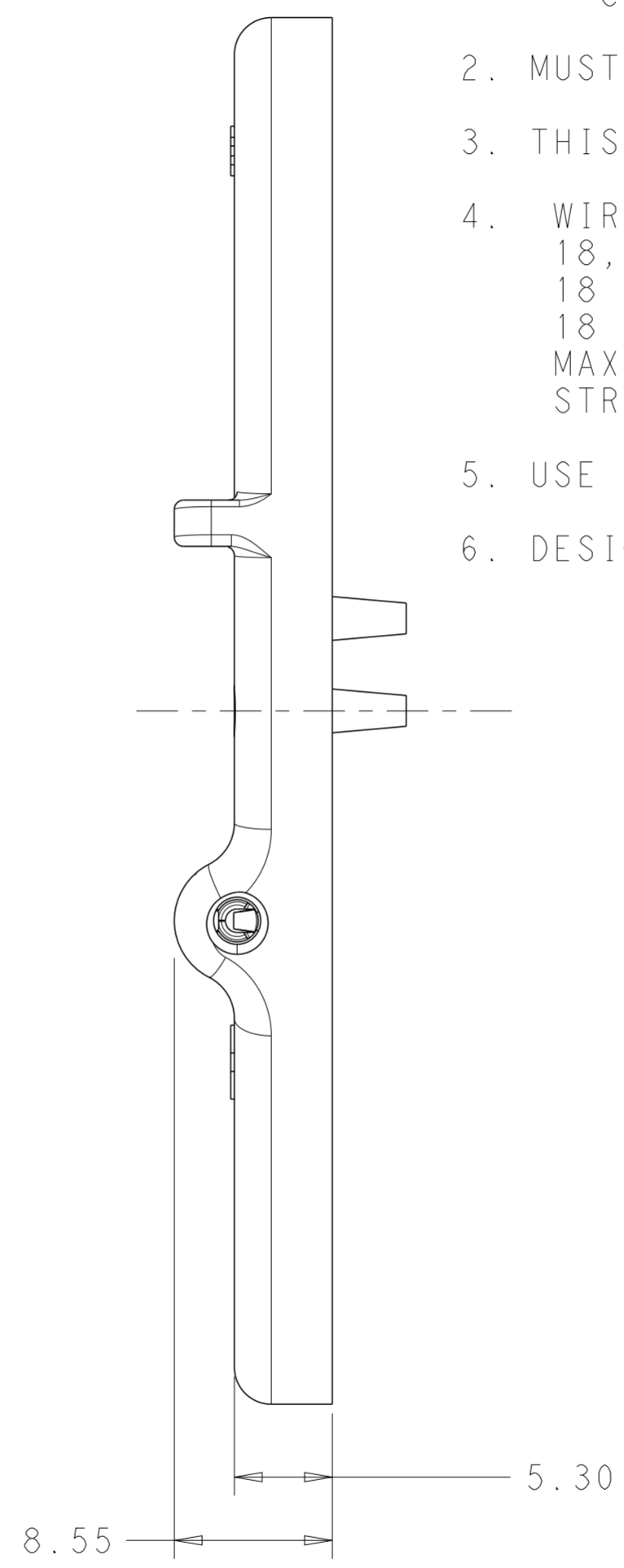
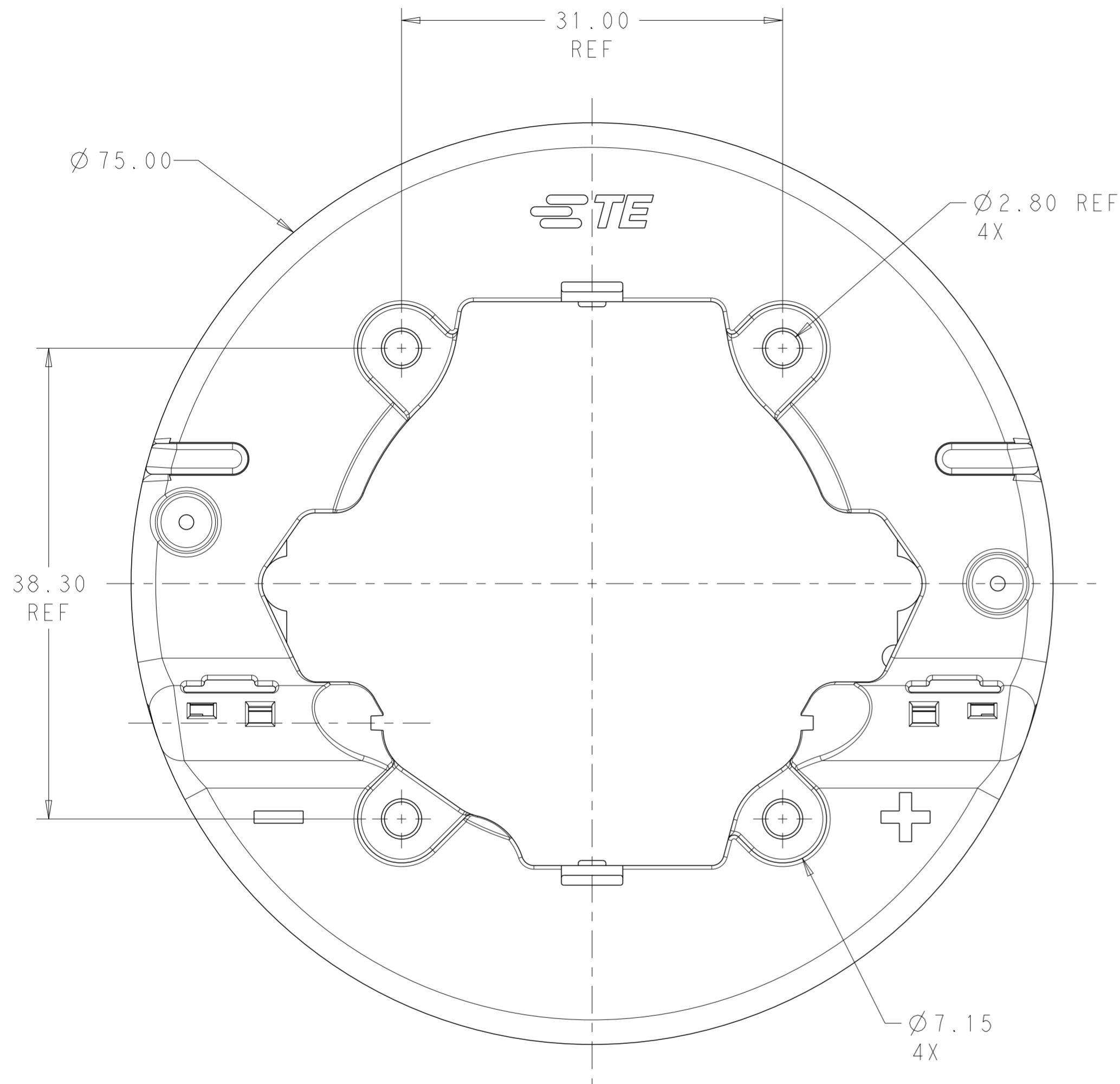
Email & Skype: info@chipsmall.com Web: www.chipsmall.com

Address: A1208, Overseas Decoration Building, #122 Zhenhua RD., Futian, Shenzhen, China



THIS DRAWING IS UNPUBLISHED. RELEASED FOR PUBLICATION 20
 © COPYRIGHT 20 BY TE CONNECTIVITY ALL RIGHTS RESERVED.

LOC		DIST		REVISIONS			
P	LTR	DESCRIPTION	DATE	DWN	APVD		
-	-	A	REVISED PER ECO-12-020971	05DEC2012	KH	PO	



- ⚠ MATERIALS AND FINISH:
 -HOUSING: GF PBT, COLOR: NATURAL
 -CONTACTS: COPPER ALLOY, FINISH: Sn OVER Ni
- MUST COMPLY WITH DIRECTIVE 2002/95/EC (ROHS)
 - THIS PRODUCT HAS NOT COMPLETED VALIDATION TESTING
 - WIRE TYPES AND SIZES ACCEPTED
 18, 20 AND 22 AWG SOLID WIRE
 18 AND 20 AWG PREBOND STRANDED WIRE
 18 AWG STRANDED WIRE (16 STRAND COUNT)
 MAX INSULATION OD: 2.10 MM (.083")
 STRIP LENGTH: 7.0±1.0 (.276")
 - USE (4) M3 SIZE SCREWS, TORQUE TO 2.5-4.0 IN-LBF
 - DESIGNED TO BE USED WITH BRIDGELUX RS SERIES LED

2154455-1
 PART NO.

THIS DRAWING IS A CONTROLLED DOCUMENT.		DWN C. DAILY 24 JAN 2011	TE Connectivity															
		CHK CHANEY 24 JAN 2011																
DIMENSIONS: mm		TOLERANCES UNLESS OTHERWISE SPECIFIED:		NAME SOCKET ASSEMBLY, SOLDERLESS BR LED														
<table border="0"> <tr><td>0 PLC</td><td>±</td></tr> <tr><td>1 PLC</td><td>±</td></tr> <tr><td>2 PLC</td><td>±0.20</td></tr> <tr><td>3 PLC</td><td>±</td></tr> <tr><td>4 PLC</td><td>±</td></tr> <tr><td>ANGLES</td><td>±3°</td></tr> <tr><td>FINISH</td><td>⚠</td></tr> </table>		0 PLC	±	1 PLC	±	2 PLC	±0.20	3 PLC	±	4 PLC	±	ANGLES	±3°	FINISH	⚠	APVD -	PRODUCT SPEC 108-2466	SIZE A2
0 PLC	±																	
1 PLC	±																	
2 PLC	±0.20																	
3 PLC	±																	
4 PLC	±																	
ANGLES	±3°																	
FINISH	⚠																	
MATERIAL ⚠		APPLICATION SPEC 114-13302	WEIGHT -	CAGE CODE 200779														
		Customer Drawing	SCALE 3:1	DRAWING NO C-2154455														
			SHEET 1	OF 2														
			REV A															

