



Chipsmall Limited consists of a professional team with an average of over 10 year of expertise in the distribution of electronic components. Based in Hongkong, we have already established firm and mutual-benefit business relationships with customers from,Europe,America and south Asia,supplying obsolete and hard-to-find components to meet their specific needs.

With the principle of “Quality Parts,Customers Priority,Honest Operation,and Considerate Service”,our business mainly focus on the distribution of electronic components. Line cards we deal with include Microchip,ALPS,ROHM,Xilinx,Pulse,ON,Everlight and Freescale. Main products comprise IC,Modules,Potentiometer,IC Socket,Relay,Connector.Our parts cover such applications as commercial,industrial, and automotives areas.

We are looking forward to setting up business relationship with you and hope to provide you with the best service and solution. Let us make a better world for our industry!



Contact us

Tel: +86-755-8981 8866 Fax: +86-755-8427 6832

Email & Skype: info@chipsmall.com Web: www.chipsmall.com

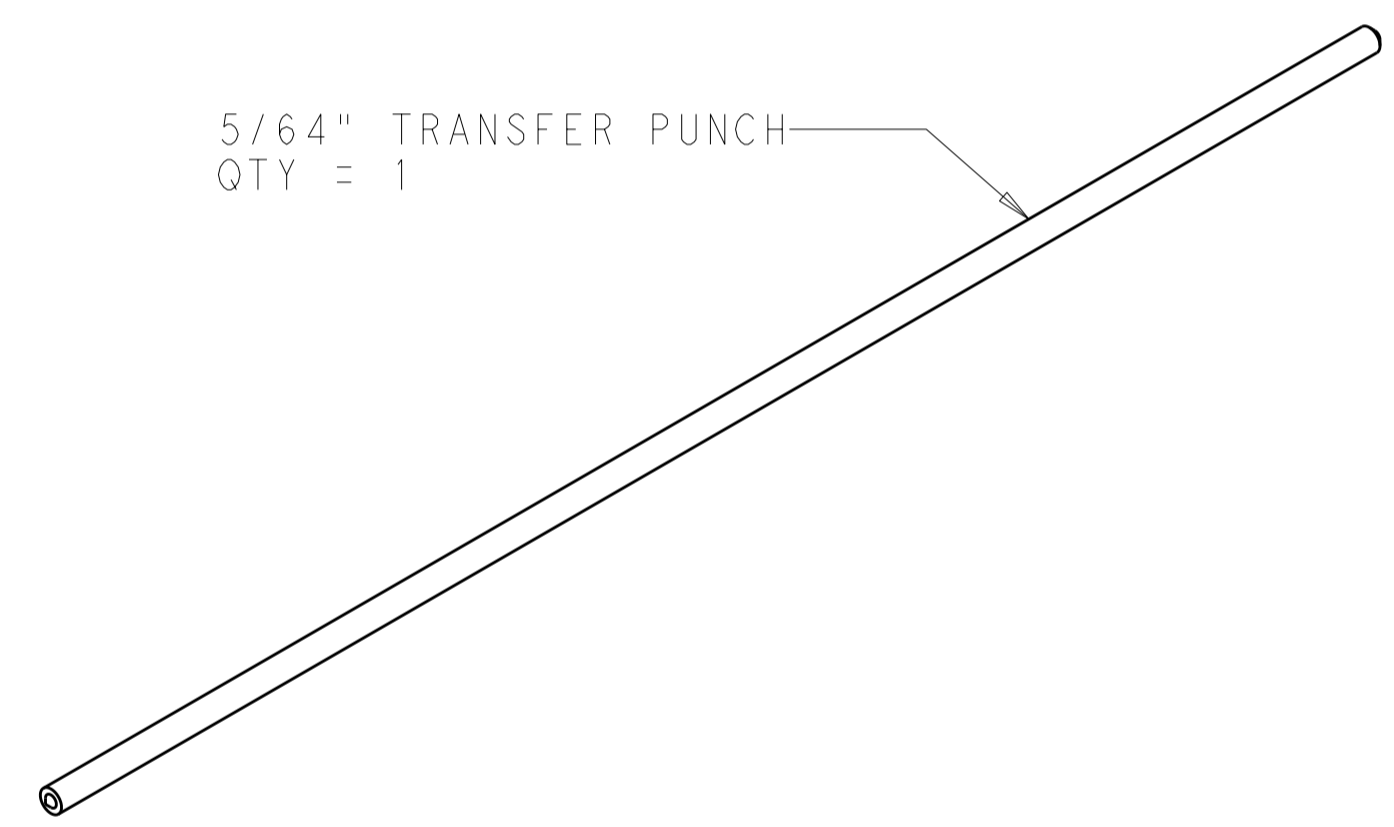
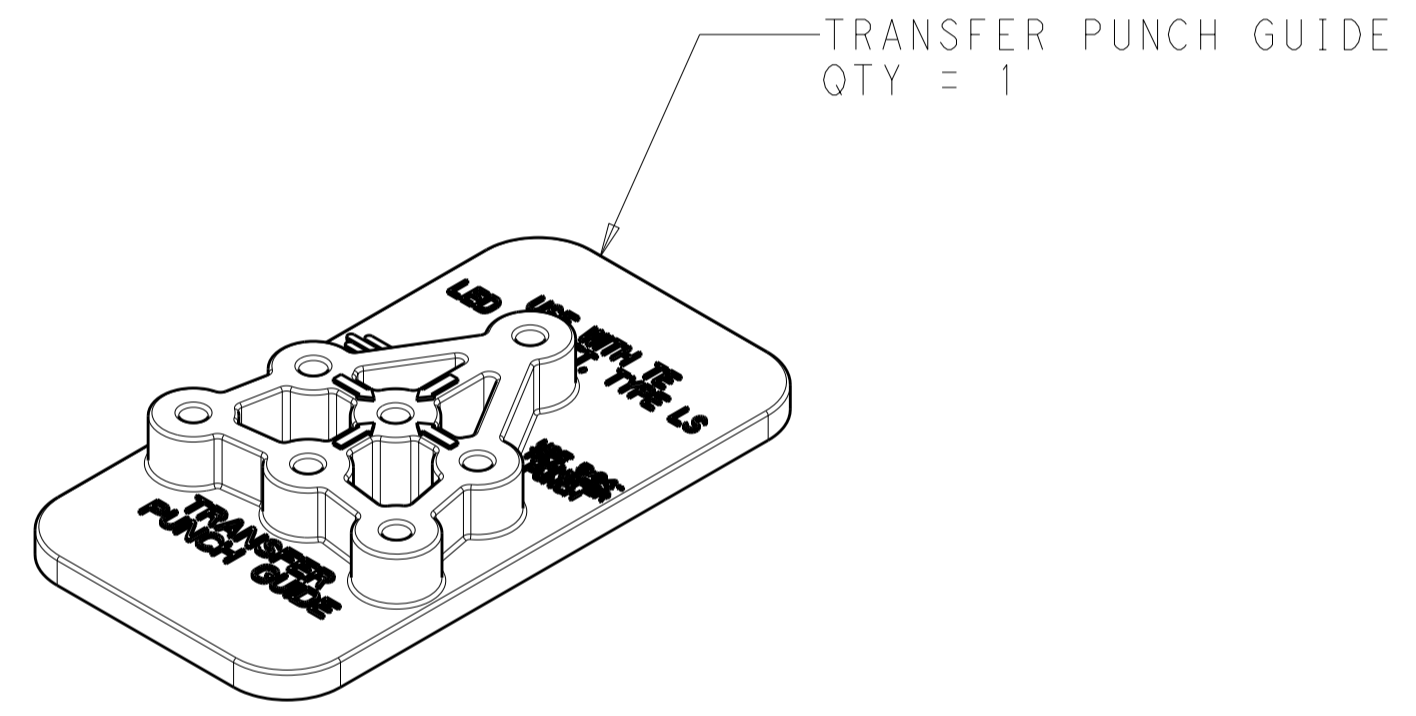
Address: A1208, Overseas Decoration Building, #122 Zhenhua RD., Futian, Shenzhen, China




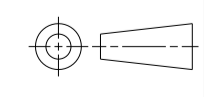
THIS DRAWING IS UNPUBLISHED. RELEASED FOR PUBLICATION 20
 © COPYRIGHT 20 BY - ALL RIGHTS RESERVED.

LOC		DIST		REVISIONS			
P	LTR	DESCRIPTION	DATE	DWN	APVD		
-	-	A	REVISD PER ECR-11-012473	01JUL2011	RK	DD	

- MATERIALS:
 PUNCH GUIDE: PC, COLOR- BLACK
 PUNCH: STEEL
- ONE OF EACH ITEM, PACKAGED TOGETHER
- GUIDE FOR USE WITH LED SOCKET, TYPE LS, P/N 2154235-X.
- GUIDE DESIGNED TO BE USED WITH A 5/64" TRANSFER PUNCH TO ACCURATELY MARK MOUNTING HOLE DRILL LOCATIONS.
- GUIDE TO BE REMOVED FROM HEAT SINK PRIOR TO DRILLING OPERATION.



2154473-1
 PART NUMBER

THIS DRAWING IS A CONTROLLED DOCUMENT.		DWN R. BROWN 31MAR2011	 TE Connectivity	
DIMENSIONS: mm		CHK R. NARANG 31MAR2011		
		APVD -	NAME KIT, TRANSFER PUNCH GUIDE AND TRANSFER PUNCH, LED SOCKET, TYPE LS	
TOLERANCES UNLESS OTHERWISE SPECIFIED:		PRODUCT SPEC -	RESTRICTED TO -	
0 PLC ± 1 PLC ± 2 PLC ± 3 PLC ± 4 PLC ± ANGLES ± FINISH		APPLICATION SPEC 114-13294	SIZE A200779	DRAWING NO C-2154473
MATERIAL -		WEIGHT -	SCALE 2:1 SHEET 1 OF 1 REV A	
-		CUSTOMER DRAWING		