



Chipsmall Limited consists of a professional team with an average of over 10 year of expertise in the distribution of electronic components. Based in Hongkong, we have already established firm and mutual-benefit business relationships with customers from,Europe,America and south Asia,supplying obsolete and hard-to-find components to meet their specific needs.

With the principle of “Quality Parts,Customers Priority,Honest Operation,and Considerate Service”,our business mainly focus on the distribution of electronic components. Line cards we deal with include Microchip,ALPS,ROHM,Xilinx,Pulse,ON,Everlight and Freescale. Main products comprise IC,Modules,Potentiometer,IC Socket,Relay,Connector.Our parts cover such applications as commercial,industrial, and automotives areas.

We are looking forward to setting up business relationship with you and hope to provide you with the best service and solution. Let us make a better world for our industry!



Contact us

Tel: +86-755-8981 8866 Fax: +86-755-8427 6832

Email & Skype: info@chipsmall.com Web: www.chipsmall.com

Address: A1208, Overseas Decoration Building, #122 Zhenhua RD., Futian, Shenzhen, China

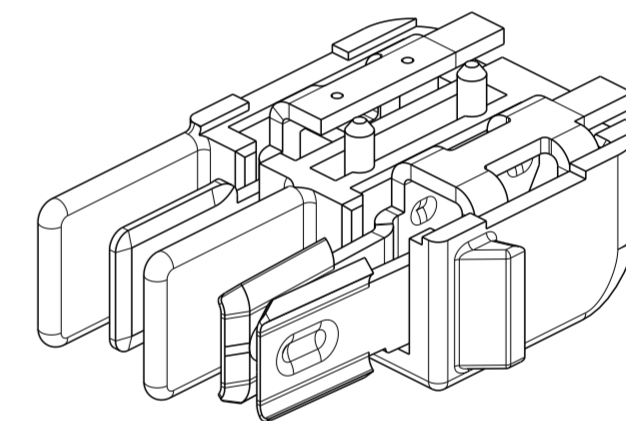
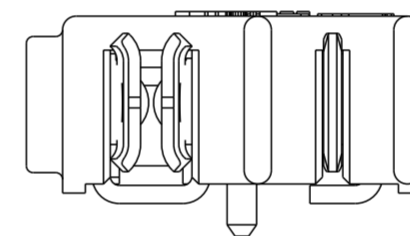
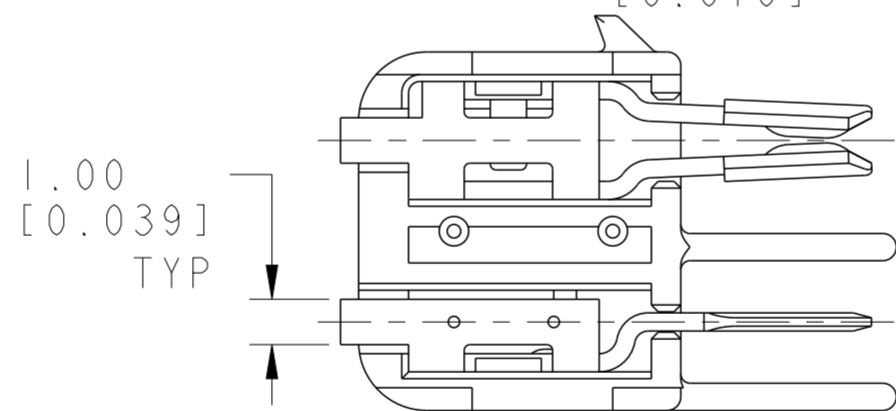
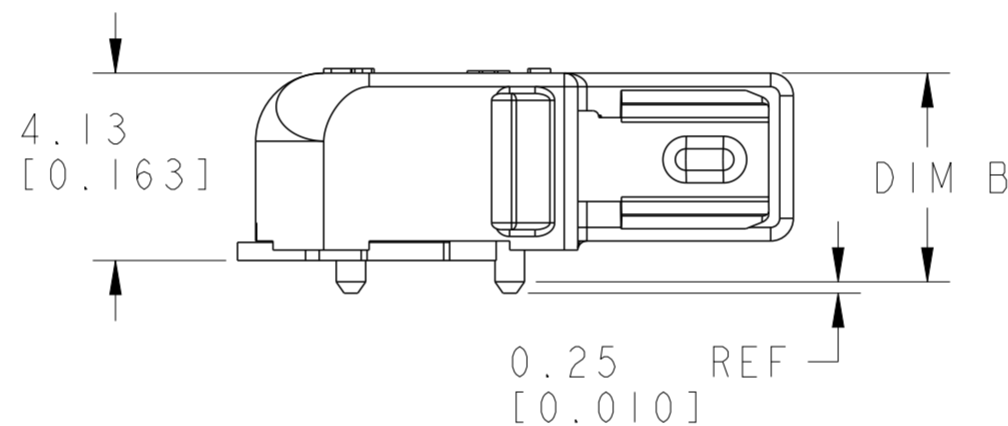
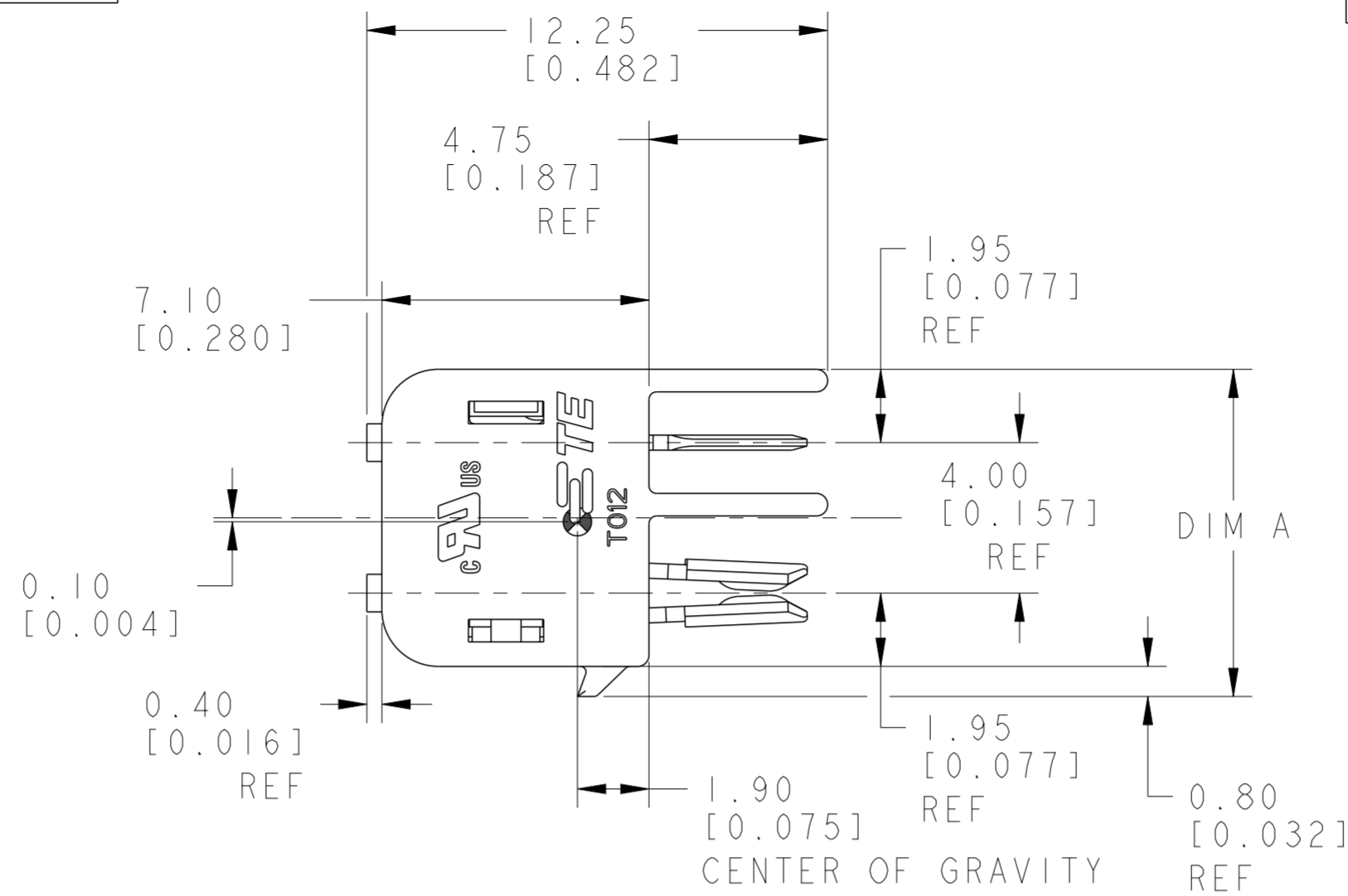


THIS DRAWING IS UNPUBLISHED. RELEASED FOR PUBLICATION 20
 © COPYRIGHT 20 BY - ALL RIGHTS RESERVED.

LOC		DIST		REVISIONS			
P	LTR	DESCRIPTION	DATE	DWN	APVD		
	A1	REVISED PER ECR-13-005787	16APR2013	RS	DD		
	B	REVISED PER ECR-16-012300	26AUG2016	RS	PO		
	B1	REVISED PER ECR-16-016095	16NOV2016	RK	PO		
	B2	REVISED PER ECR-16-017644	28DEC2016	RK	PO		

NOTES:

- 1 MATERIALS AND FINISH
 - HOUSING: LCP
 - CONTACTS: COPPER ALLOY, FINISH: TIN
- 2. PRODUCT TO COMPLY WITH DIRECTIVE 2002/95/EC (ROHS)
- 3. PACKAGED IN TAPE AND REEL PER EIA-481 SPECIFICATIONS
- 4 PRELIMINARY



2154640-1 SHOWN

4	6	BLACK	5.10 [0.201]	24.70	1-2154640-4	
	6	BLACK	4.60 [0.181]	24.70	1-2154640-3	
	4	BLACK	4.60 [0.181]	16.70	1-2154640-2	
	2	BLACK	4.60 [0.181]	8.70	1-2154640-1	
4	6	NATURAL	5.10 [0.201]	24.70	2154640-4	
	6	NATURAL	4.60 [0.181]	24.70	2154640-3	
	4	NATURAL	4.60 [0.181]	16.70	2154640-2	
	2	NATURAL	4.60 [0.181]	8.70	2154640-1	
		POSITION	COLOR	DIM B	DIM A	PART NO.

THIS DRAWING IS A CONTROLLED DOCUMENT.

DWN: ARAVINDA S. 28APRIL2011
 CHK: D. DECKER 28APRIL2011
 APVD: D. DECKER

STE TE Connectivity

NAME: CONNECTOR ASSEMBLY, HERMAPHRODITIC BLADE AND RECEPTACLE, WITH LATCH AND BOSS

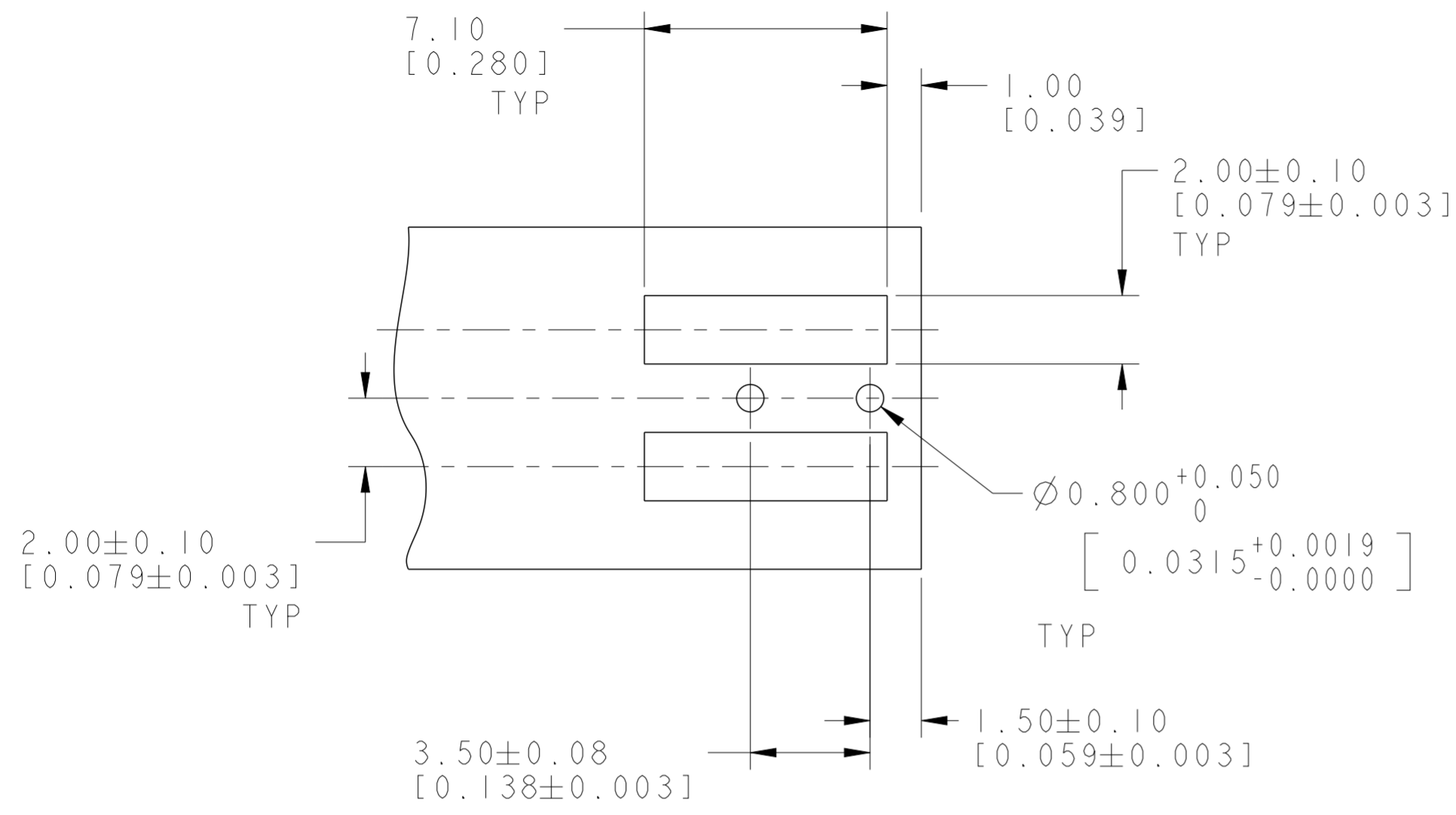
PRODUCT SPEC: 108-2342
 APPLICATION SPEC: 114-13225

MATERIAL: TOLERANCES UNLESS OTHERWISE SPECIFIED:
 0 PLC ±
 1 PLC ±
 2 PLC ±0.13
 3 PLC ±0.013
 4 PLC ±
 ANGLES ±1°
 FINISH

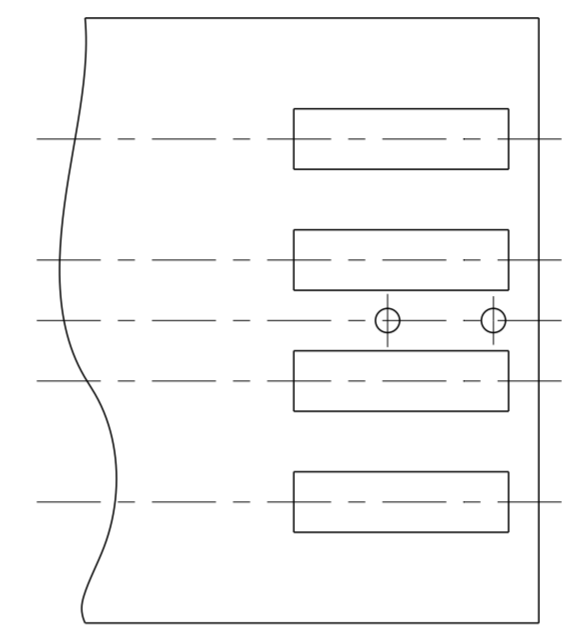
SIZE: A2 CAGE CODE: 00779 DRAWING NO: C-2154640 RESTRICTED TO: -
 WEIGHT: -
 CUSTOMER DRAWING SCALE: 5:1 SHEET 1 OF 3 REV: B2

THIS DRAWING IS UNPUBLISHED. RELEASED FOR PUBLICATION 20
 © COPYRIGHT 20 BY - ALL RIGHTS RESERVED.

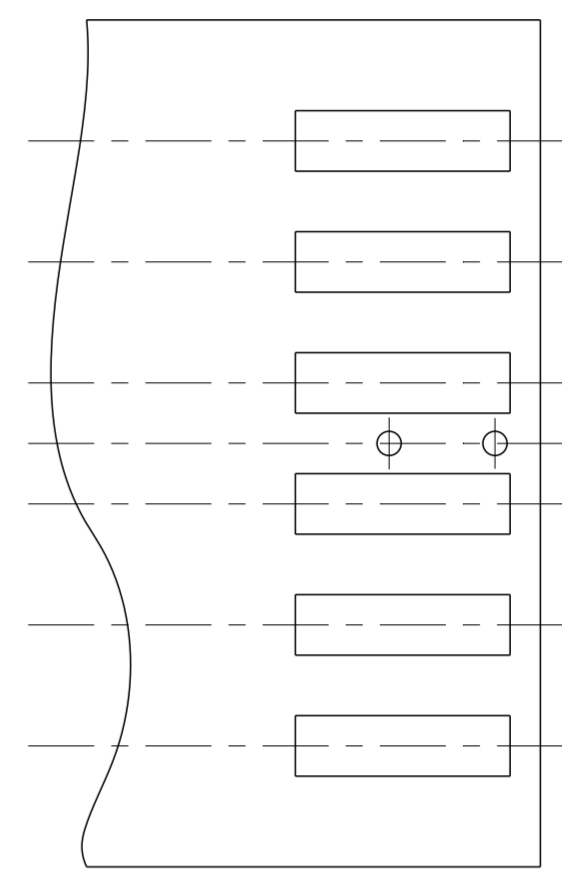
LOC		DIST		REVISIONS			
P	LTR	DESCRIPTION	DATE	DWN	APVD		
-	-	SEE SHEET 1	-	-	-		



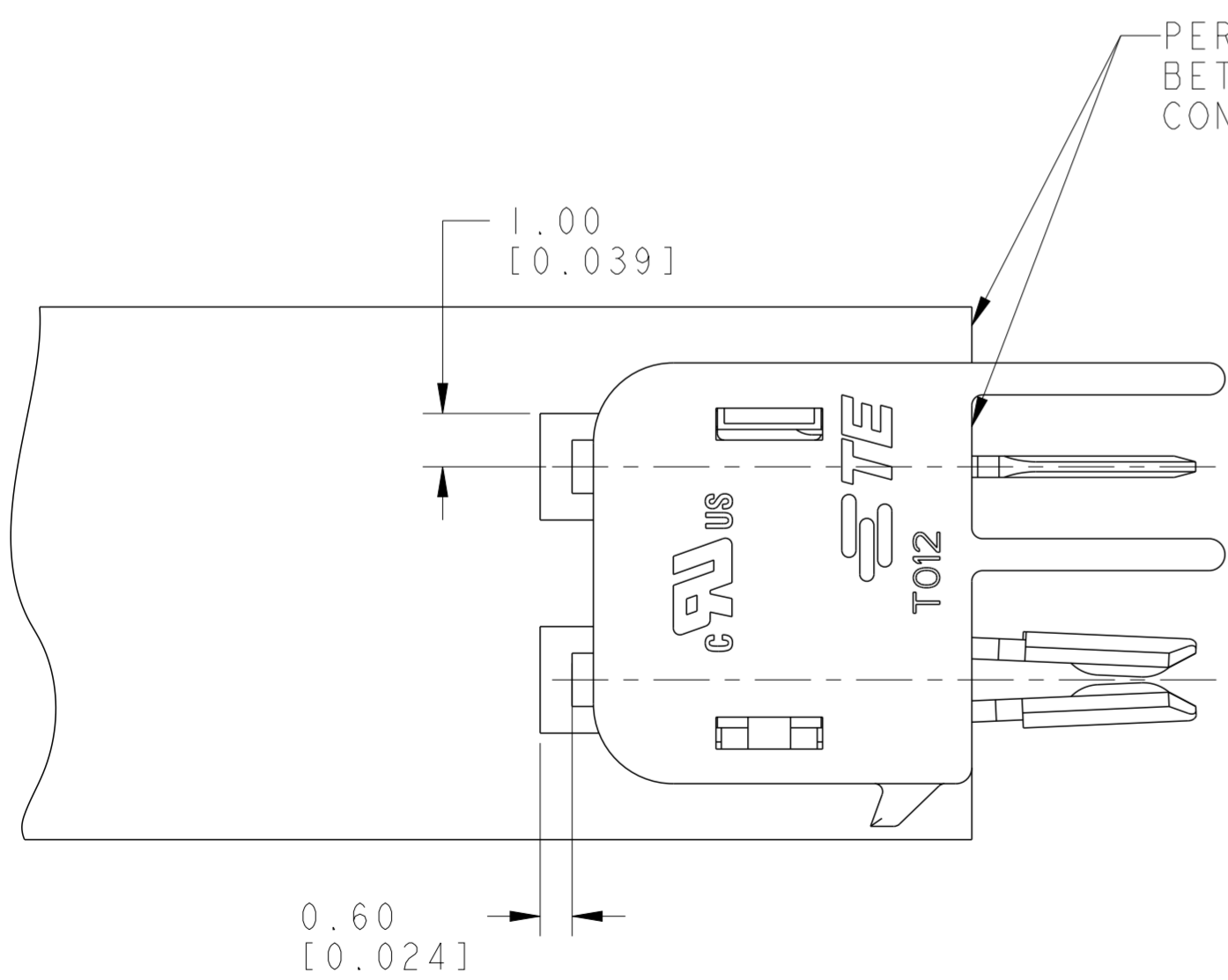
RECOMMENDED PCB LAYOUT FOR 2154640-1 & 1-2154640-1



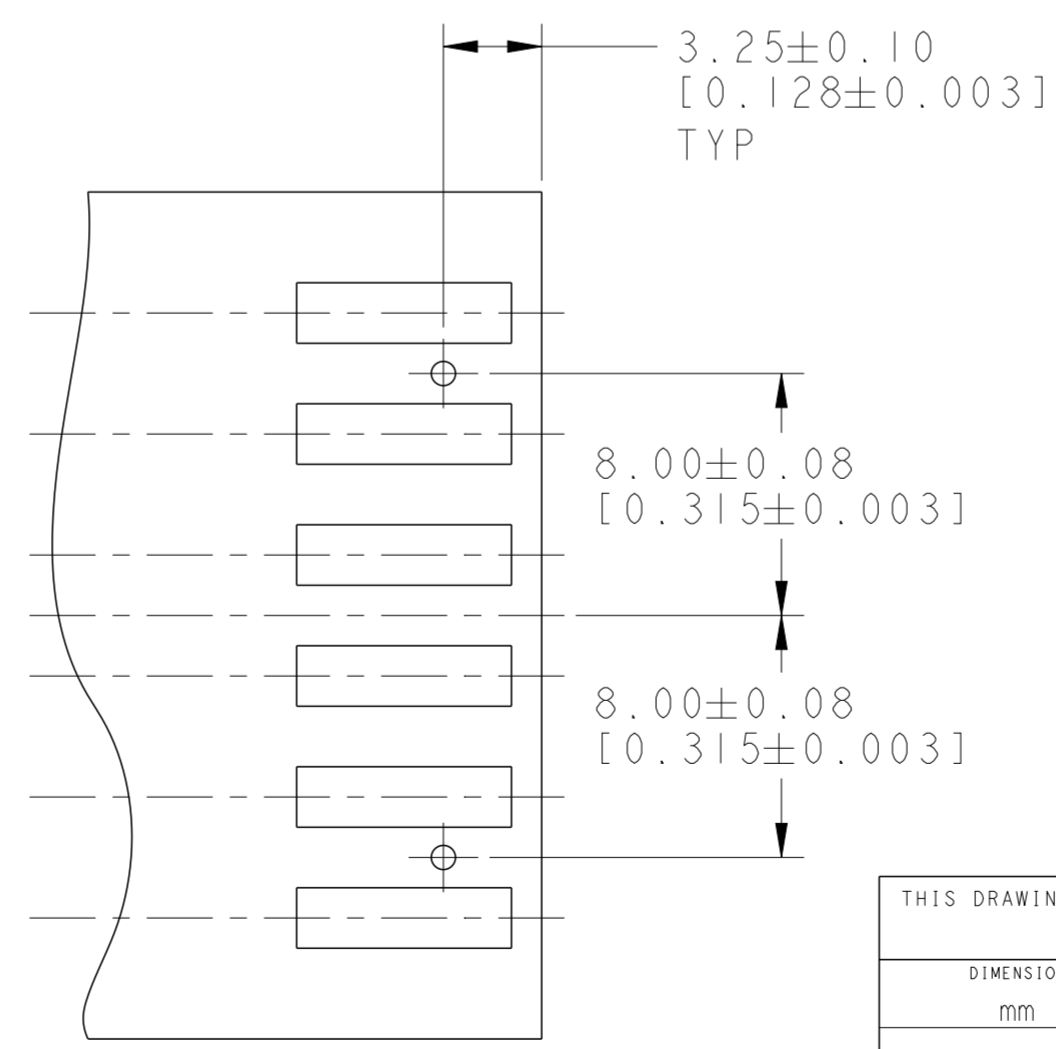
RECOMMENDED PCB LAYOUT FOR 2154640-2 & 1-2154640-2



RECOMMENDED PCB LAYOUT FOR 2154640-3 & 1-2154640-3



SCALE 8:1

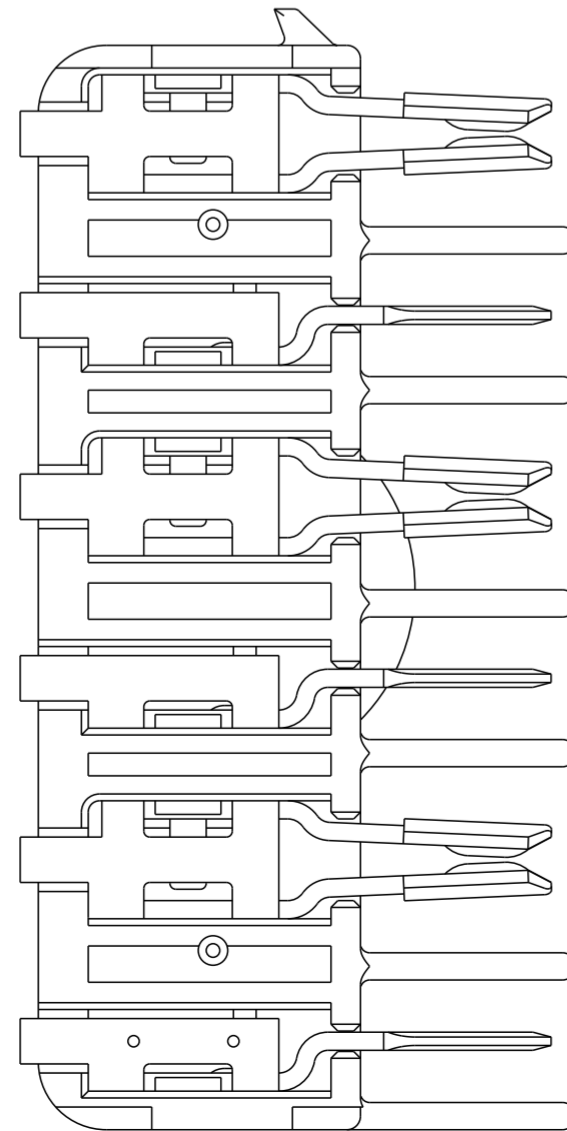
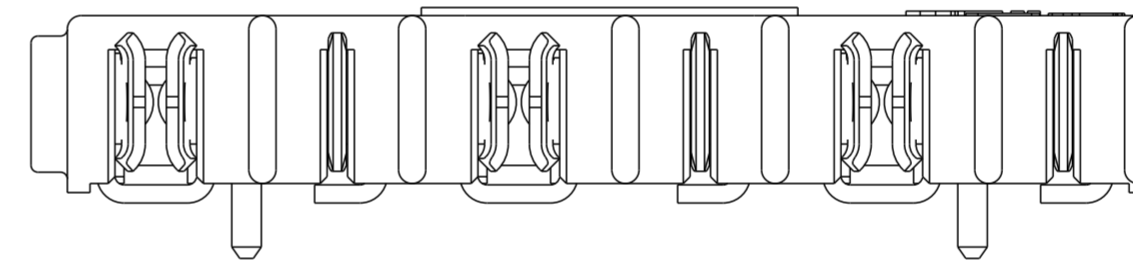
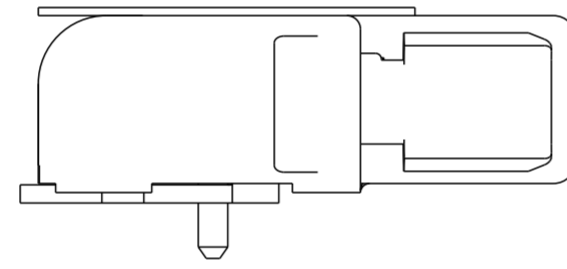
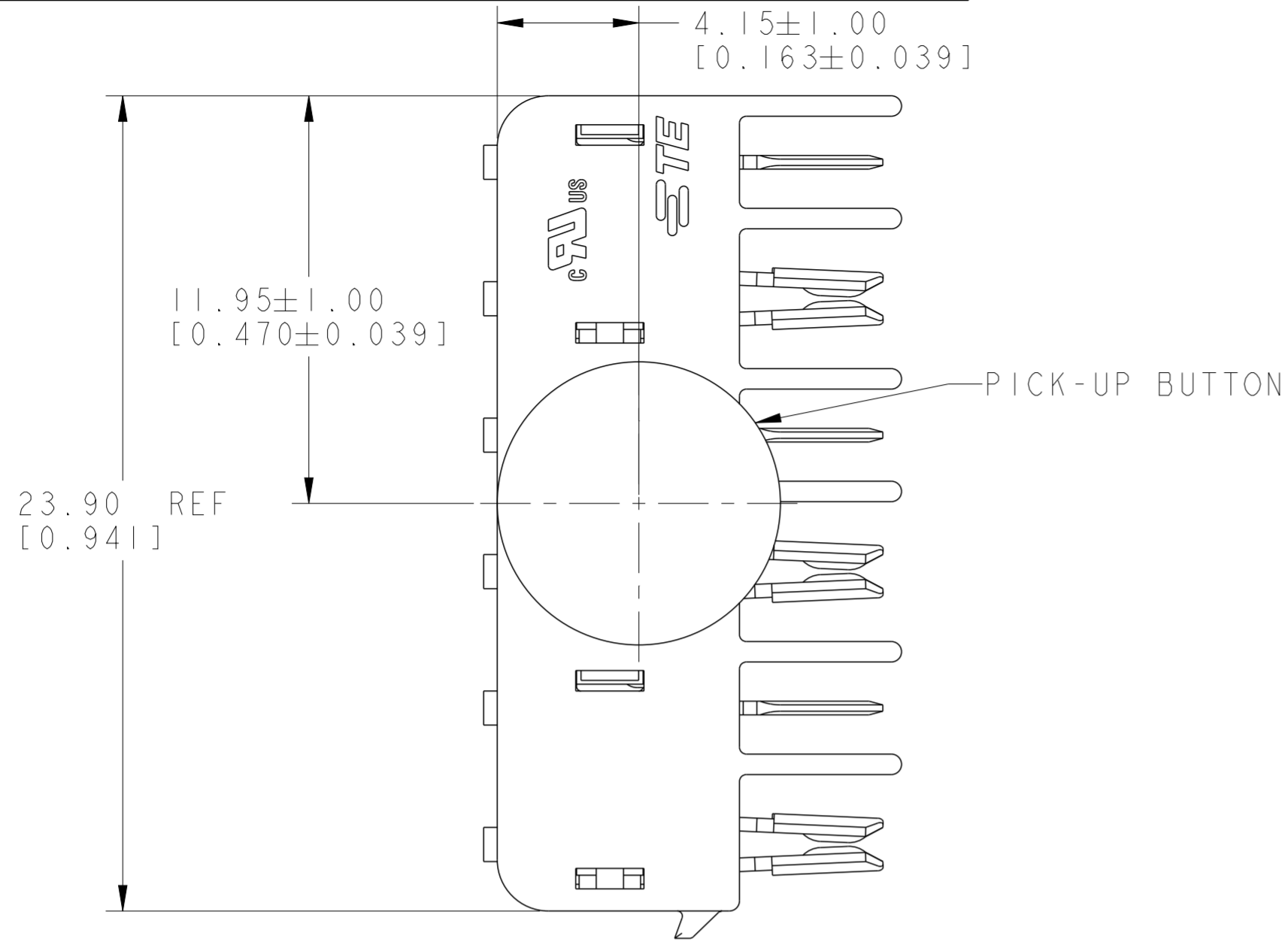


RECOMMENDED PCB LAYOUT FOR 2154640-4 & 1-2154640-4

THIS DRAWING IS A CONTROLLED DOCUMENT.		DWN 28APRIL2011 ARAVINDA S	TE Connectivity	
		CHK 28APRIL2011 D. DECKER		
DIMENSIONS: mm		APVD -	NAME	
TOLERANCES UNLESS OTHERWISE SPECIFIED:		PRODUCT SPEC	CONNECTOR ASSEMBLY, HERMAPHRODITIC BLADE AND RECEPTACLE, WITH LATCH AND BOSS	
0 PLC ±-		108-2342	SIZE	CAGE CODE
1 PLC ±-		APPLICATION SPEC	114-13225	DRAWING NO
2 PLC ±0.13		WEIGHT	A200779	RESTRICTED TO
3 PLC ±0.013		CUSTOMER DRAWING	SCALE 5:1	SHEET 2 OF 3
4 PLC ±-				REV B2
ANGLES ±1°				
FINISH				

THIS DRAWING IS UNPUBLISHED. RELEASED FOR PUBLICATION 20
 © COPYRIGHT 20 BY - ALL RIGHTS RESERVED.

LOC		DIST		REVISIONS			
P	LTR	DESCRIPTION		DATE	DWN	APVD	
-	-	SEE SHEET 1		-	-	-	



2154640-4, 1-2154640-4
SHOWN

THIS DRAWING IS A CONTROLLED DOCUMENT.		DWN ARAVINDA S 28 APRIL 2011	STE TE Connectivity	
DIMENSIONS: mm		CHK D. DECKER 28 APRIL 2011		
TOLERANCES UNLESS OTHERWISE SPECIFIED:		APVD D. DECKER	NAME CONNECTOR ASSEMBLY, HERMAPHRODITIC BLADE AND RECEPTACLE, WITH LATCH AND BOSS	
0 PLC ±-		PRODUCT SPEC 108-2342	SIZE	RESTRICTED TO
1 PLC ±-		APPLICATION SPEC 114-13225	CAGE CODE A200779	DRAWING NO C-2154640
2 PLC ±0.13		WEIGHT -	SCALE 6:1	SHEET 3 OF 3
3 PLC ±0.013		CUSTOMER DRAWING	REV B2	
4 PLC ±				
ANGLES ±1°				
FINISH				