



Chipsmall Limited consists of a professional team with an average of over 10 year of expertise in the distribution of electronic components. Based in Hongkong, we have already established firm and mutual-benefit business relationships with customers from,Europe,America and south Asia,supplying obsolete and hard-to-find components to meet their specific needs.

With the principle of “Quality Parts,Customers Priority,Honest Operation,and Considerate Service”,our business mainly focus on the distribution of electronic components. Line cards we deal with include Microchip,ALPS,ROHM,Xilinx,Pulse,ON,Everlight and Freescale. Main products comprise IC,Modules,Potentiometer,IC Socket,Relay,Connector.Our parts cover such applications as commercial,industrial, and automotives areas.

We are looking forward to setting up business relationship with you and hope to provide you with the best service and solution. Let us make a better world for our industry!



Contact us

Tel: +86-755-8981 8866 Fax: +86-755-8427 6832

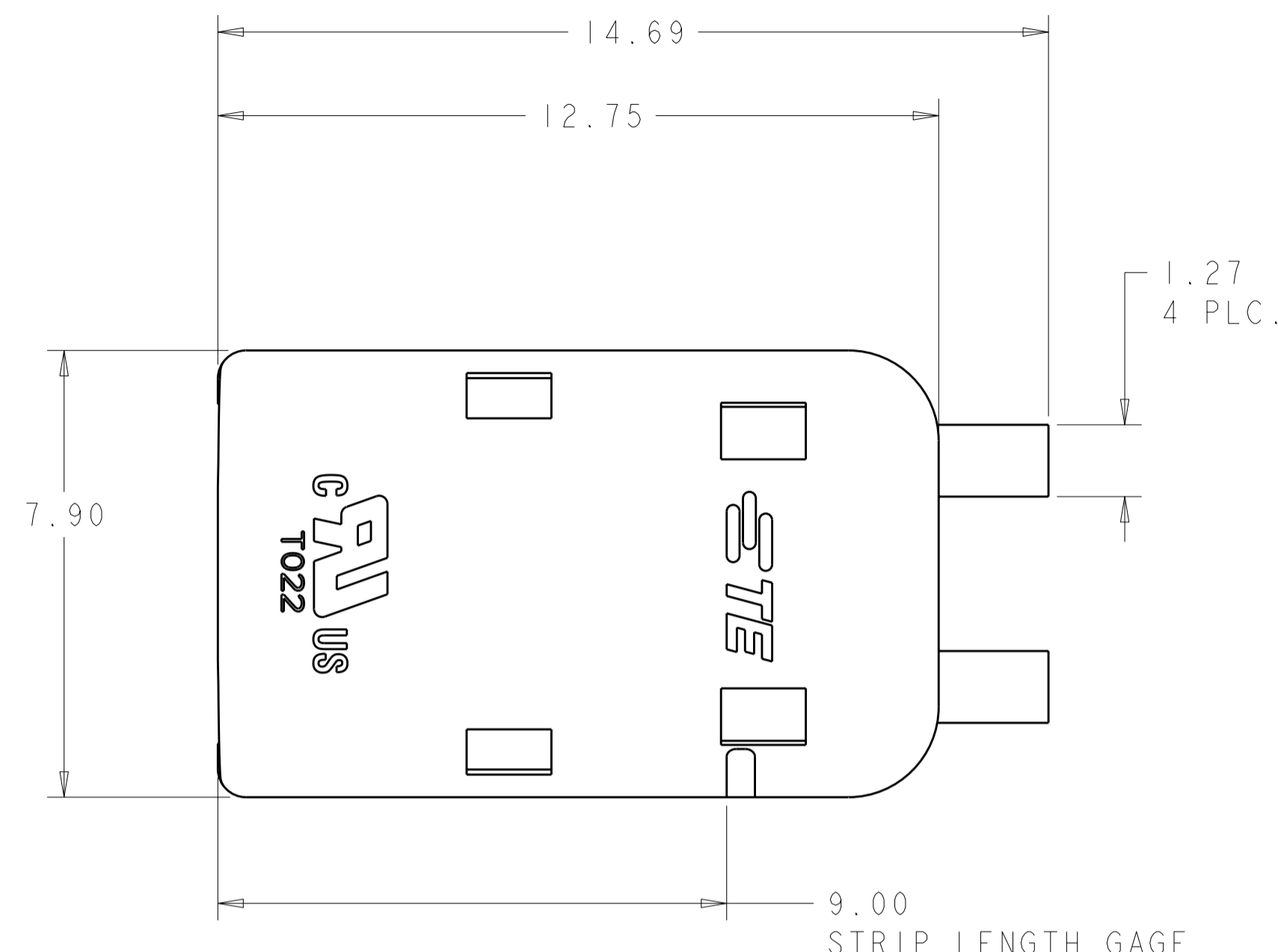
Email & Skype: info@chipsmall.com Web: www.chipsmall.com

Address: A1208, Overseas Decoration Building, #122 Zhenhua RD., Futian, Shenzhen, China

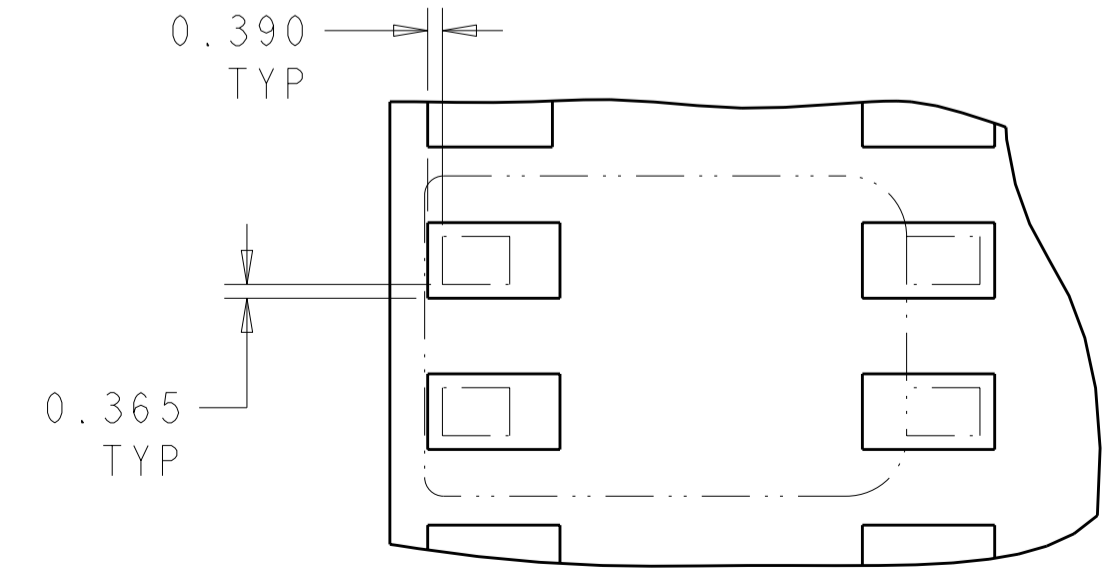
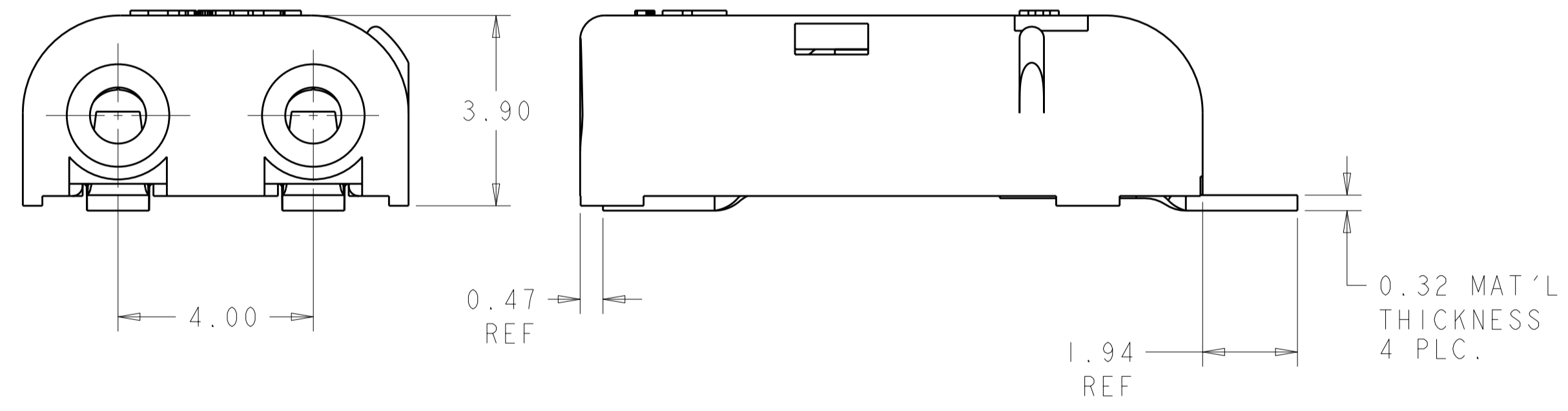
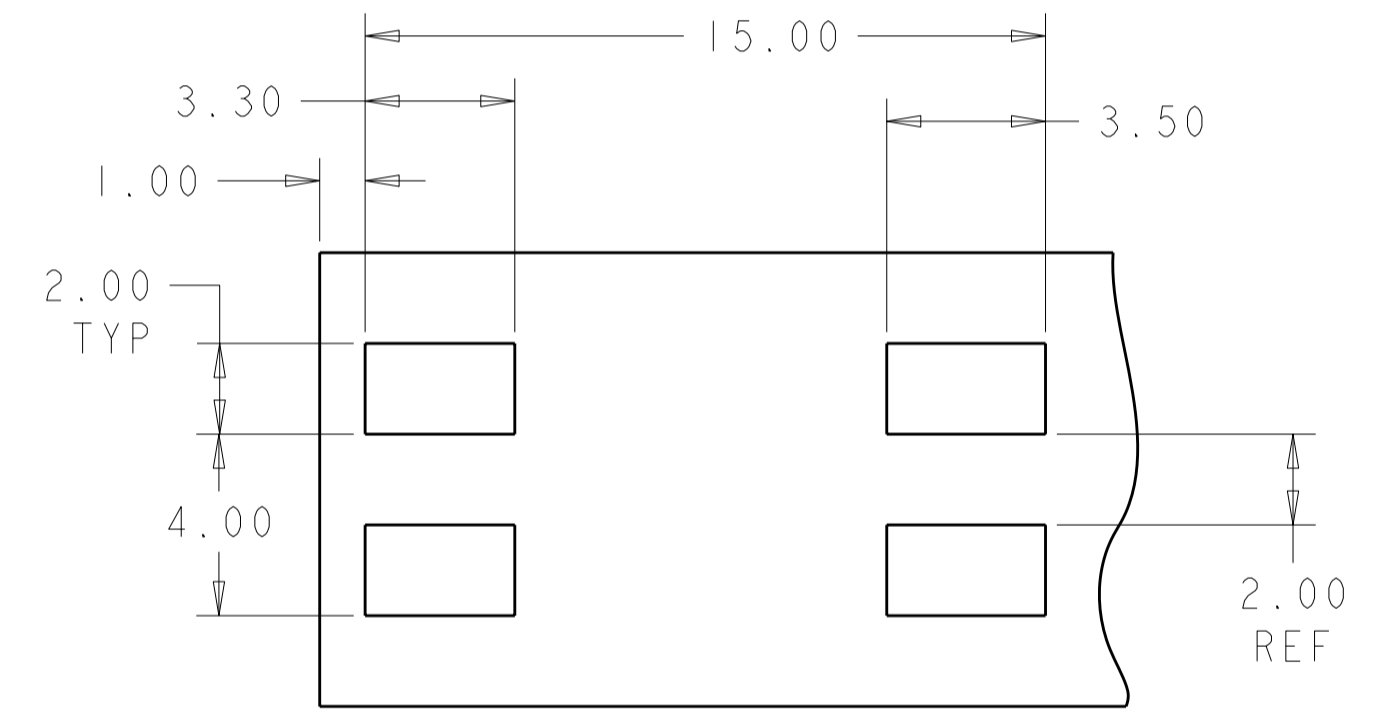


THIS DRAWING IS UNPUBLISHED. RELEASED FOR PUBLICATION 20
 © COPYRIGHT 20 BY - ALL RIGHTS RESERVED.

REVISIONS					
P	LTR	DESCRIPTION	DATE	DWN	APVD
A		REVISED PER ECR-11-015546	29OCT2011	HVG	DD



- NOTES :
- MATERIALS AND FINISH:
 - HOUSING: LCP, COLOR: WHITE
 - CONTACTS: COPPER ALLOY, FINISH: TIN
 - MUST COMPLY WITH DIRECTIVE 2002/95/EC (ROHS)
 - THIS PRODUCT HAS NOT COMPLETED VALIDATION TESTING
 - WIRE TYPES AND SIZES ACCEPTED
 - 18, 20 AND 22 AWG SOLID WIRE
 - 18 AND 20 AWG PREBOND STRANDED WIRE
 - 18 AWG STRANDED WIRE (16 STRAND COUNT)
 - MAX INSULATION OD: 2.10 MM (.083")
 - STRIP LENGTH: 9.0±1.0 (.354")
 - PACKAGED IN TAPE AND REEL



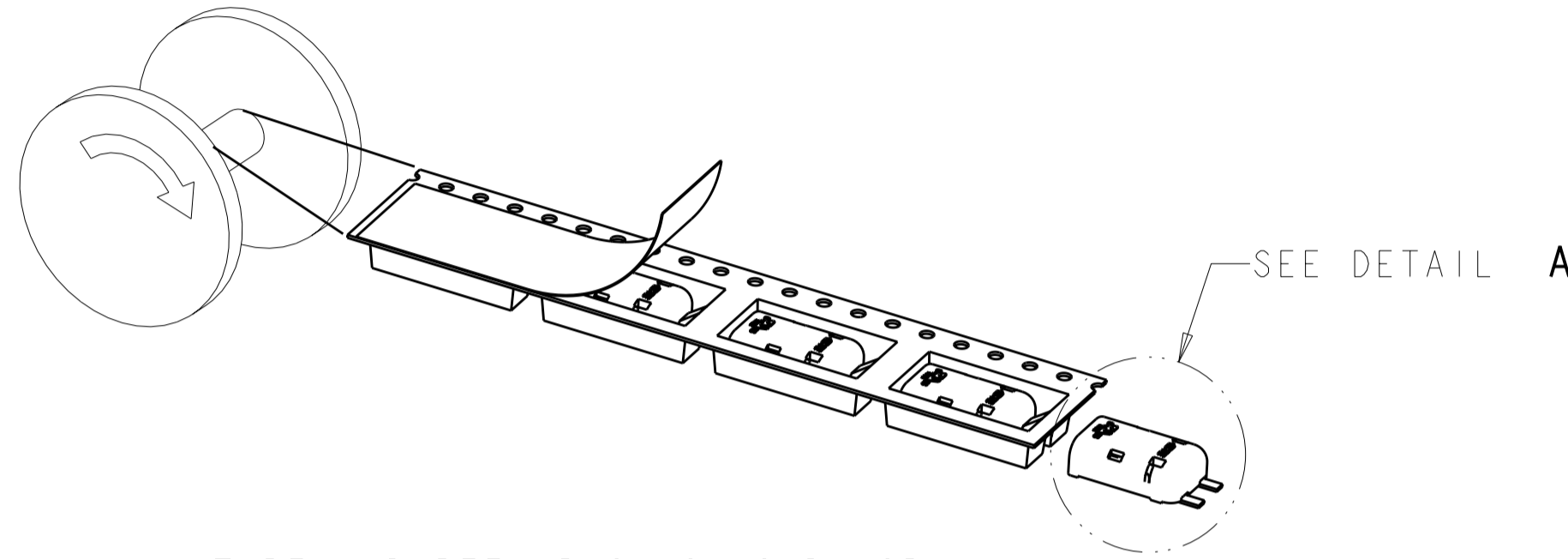
RECOMMENDED CONNECTOR PLACEMENT
SCALE 5:1

5	1	WHITE	2154662-1
PACKAGING	MATERIAL	COLOR	PART NO.

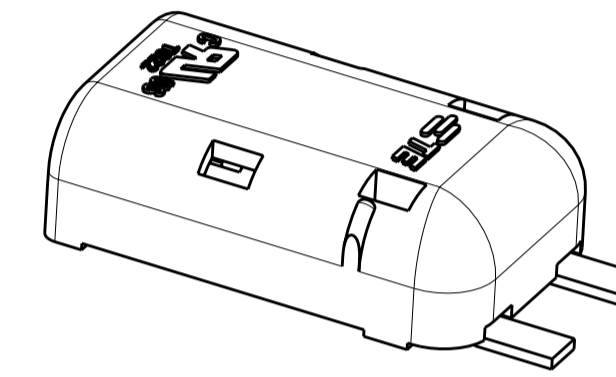
THIS DRAWING IS A CONTROLLED DOCUMENT.		DWN C. DAILY 12MAY2011	TE Connectivity	
		CHK D. DECKER 12MAY2011	POKE-IN LED CONNECTOR ASSEMBLY, 2 POSITION SMT - EXTENDED	
DIMENSIONS: mm		APVD -	NAME	
TOLERANCES UNLESS OTHERWISE SPECIFIED:		PRODUCT SPEC 108-2284	SIZE	
0 PLC ±		APPLICATION SPEC -	CAGE CODE	
1 PLC ±0.5		WEIGHT -	DRAWING NO	
2 PLC ±0.10		A200779C-2154662		
3 PLC ±		RESTRICTED TO		
4 PLC ±		-		
ANGLES ±3°		SCALE 3:1		
FINISH		SHEET 1 OF 2		
SEE TABLE		REV A		
SEE TABLE		CUSTOMER DRAWING		

THIS DRAWING IS UNPUBLISHED. RELEASED FOR PUBLICATION 20
 © COPYRIGHT 20 BY - ALL RIGHTS RESERVED.

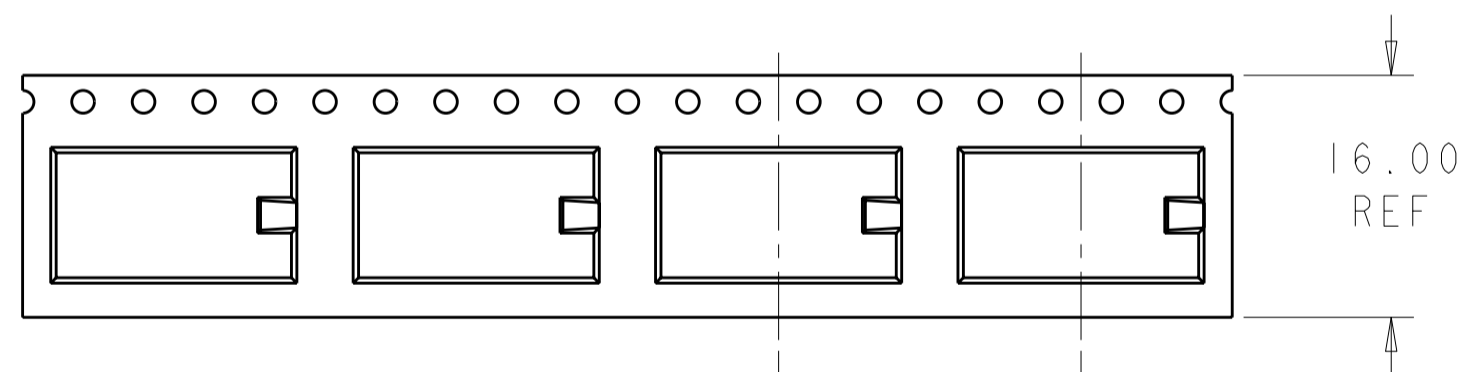
LOC	DIST	REVISIONS				
P	LTR	DESCRIPTION	DATE	DWN	APVD	
AF	50	-	SEE SHEET 1	-	-	



TAPE AND REEL PACKAGING DIAGRAM



DETAIL A
SCALE 5:1



20.00 REF
TYP

16.00
REF

SCALE 2:1

THIS DRAWING IS A CONTROLLED DOCUMENT.		DWN C. DALLY 12MAY2011	TE Connectivity	
		CHK D. DECKER 12MAY2011		
DIMENSIONS: mm		APVD -	NAME POKE-IN LED CONNECTOR ASSEMBLY, 2 POSITION SMT - EXTENDED	
TOLERANCES UNLESS OTHERWISE SPECIFIED:		PRODUCT SPEC 108-2284	SIZE A200779	
0 PLC ±-		APPLICATION SPEC -	CAGE CODE C-2154662	
1 PLC ±0.5		WEIGHT -	DRAWING NO -	
2 PLC ±0.10		RESTRICTED TO -		
3 PLC ±-		SCALE 3:1		
4 PLC ±-		SHEET 2 OF 2		
ANGLES ±3°		REV A		
FINISH		CUSTOMER DRAWING		
MATERIAL SEE TABLE				