



Chipsmall Limited consists of a professional team with an average of over 10 year of expertise in the distribution of electronic components. Based in Hongkong, we have already established firm and mutual-benefit business relationships with customers from,Europe,America and south Asia,supplying obsolete and hard-to-find components to meet their specific needs.

With the principle of “Quality Parts,Customers Priority,Honest Operation,and Considerate Service”,our business mainly focus on the distribution of electronic components. Line cards we deal with include Microchip,ALPS,ROHM,Xilinx,Pulse,ON,Everlight and Freescale. Main products comprise IC,Modules,Potentiometer,IC Socket,Relay,Connector.Our parts cover such applications as commercial,industrial, and automotives areas.

We are looking forward to setting up business relationship with you and hope to provide you with the best service and solution. Let us make a better world for our industry!



Contact us

Tel: +86-755-8981 8866 Fax: +86-755-8427 6832

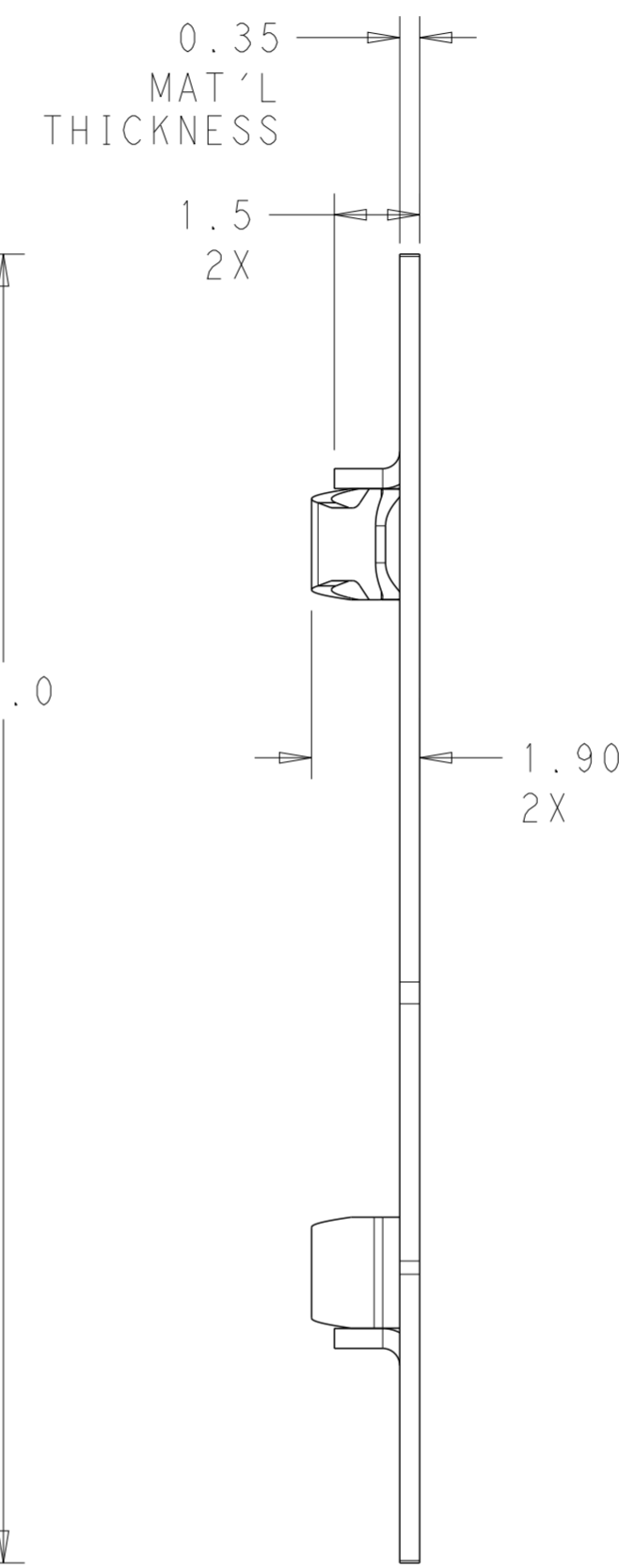
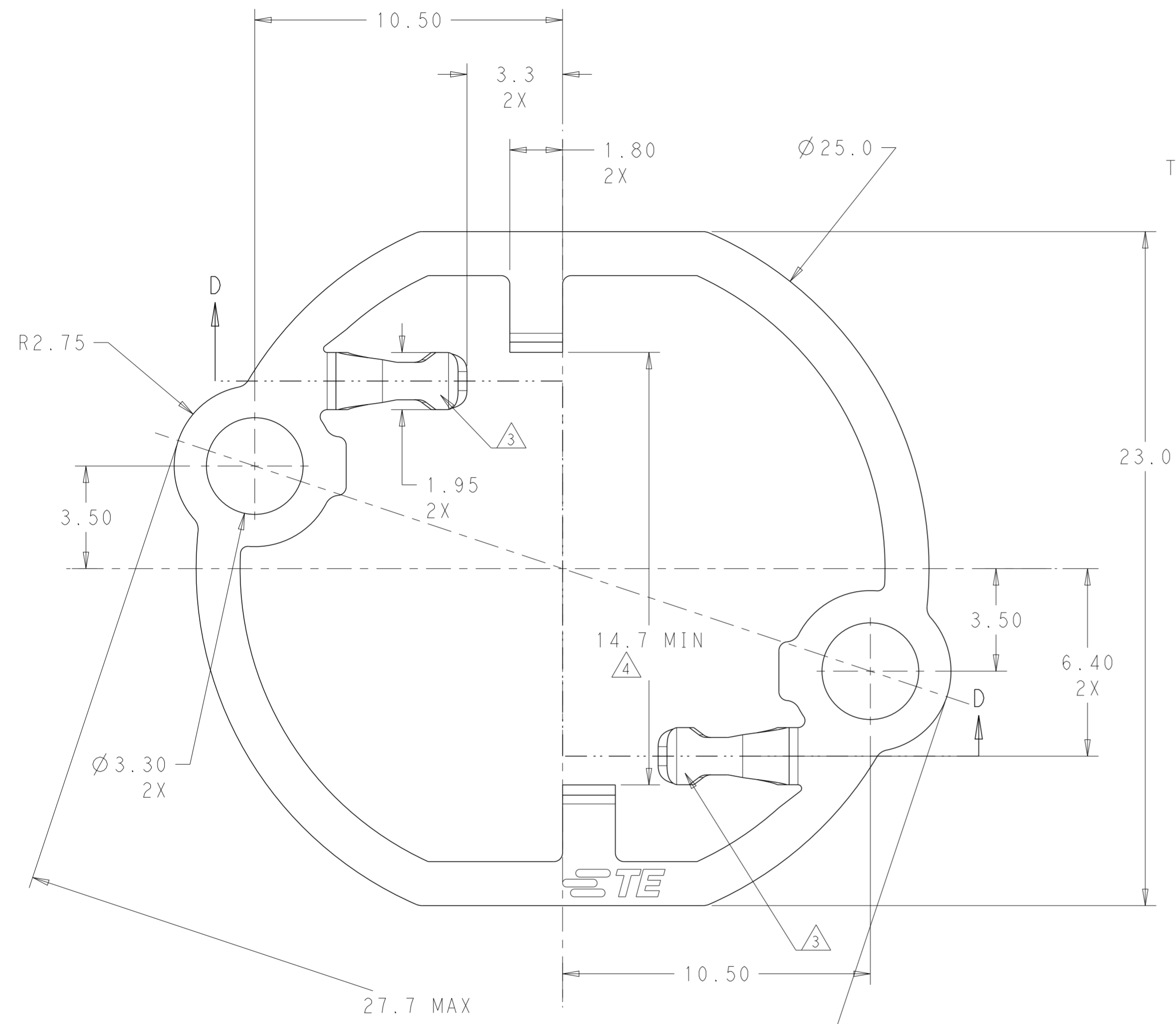
Email & Skype: info@chipsmall.com Web: www.chipsmall.com

Address: A1208, Overseas Decoration Building, #122 Zhenhua RD., Futian, Shenzhen, China

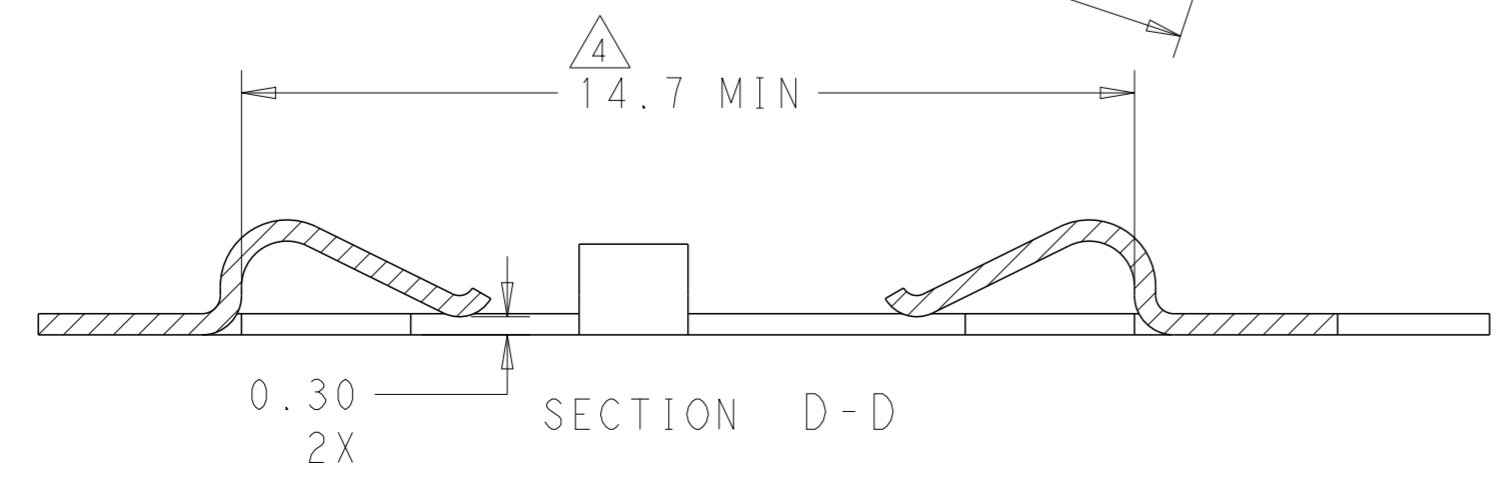


THIS DRAWING IS UNPUBLISHED. RELEASED FOR PUBLICATION 20
 © COPYRIGHT 20 BY - ALL RIGHTS RESERVED.

LOC		DIST		REVISIONS			
P	LTR	DESCRIPTION	DATE	DWN	APVD		
	A	REVISED PER ECO-12-020971	05DEC2012	KH	PO		



- NOTES:
- 1 MATERIAL: STAINLESS STEEL
 - 2. MUST COMPLY WITH DIRECTIVE 2002/95/EC (ROHS)
 - 3 MECHANICAL FORCE APPLIED ON LED SUBSTRATE AT LOCATIONS SHOWN. REFER TO TE SPECIFICATION 108-133002 FOR TYPICAL FORCE VALUES.
 - 4 LOCATES LED SUBSTRATE
 - 5. RECOMENDED SCREW SIZE: M3 OR #4 TORQUE TO 2.5 in-lbf TO 4.0 in-lbf
 - 6. THERMAL SPRING DESIGNED TO INTERFACE WITH PHILIPS LUMILEDS LUXEON H 100V AND 200V ARRAY LEDS



2154821-1
PART NO.

THIS DRAWING IS A CONTROLLED DOCUMENT.		DWN C. DAILY	15FEB2012	TE Connectivity	
DIMENSIONS: mm		CHK M. STOLLER	15FEB2012		
TOLERANCES UNLESS OTHERWISE SPECIFIED:		APVD -	15FEB2012		
0 PLC ± 1 PLC ±0.2 2 PLC ±0.13 3 PLC ± 4 PLC ± ANGLES ±3° FINISH		PRODUCT SPEC 108-133002 APPLICATION SPEC 114-32042 WEIGHT -		NAME LED HOLDER TYPE LH SIZE CAGE CODE DRAWING NO RESTRICTED TO A200779 C-2154821 -	
MATERIAL 1		Customer Drawing		SCALE 8:1	SHEET 1 OF 1 REV A