



Chipsmall Limited consists of a professional team with an average of over 10 year of expertise in the distribution of electronic components. Based in Hongkong, we have already established firm and mutual-benefit business relationships with customers from,Europe,America and south Asia,supplying obsolete and hard-to-find components to meet their specific needs.

With the principle of “Quality Parts,Customers Priority,Honest Operation,and Considerate Service”,our business mainly focus on the distribution of electronic components. Line cards we deal with include Microchip,ALPS,ROHM,Xilinx,Pulse,ON,Everlight and Freescale. Main products comprise IC,Modules,Potentiometer,IC Socket,Relay,Connector.Our parts cover such applications as commercial,industrial, and automotives areas.

We are looking forward to setting up business relationship with you and hope to provide you with the best service and solution. Let us make a better world for our industry!



Contact us

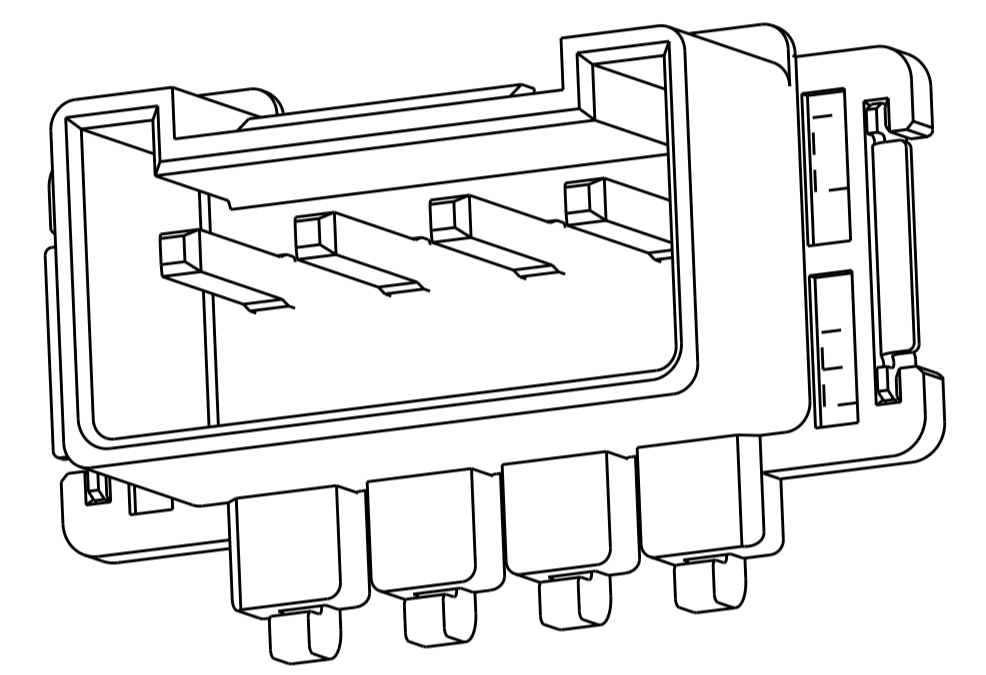
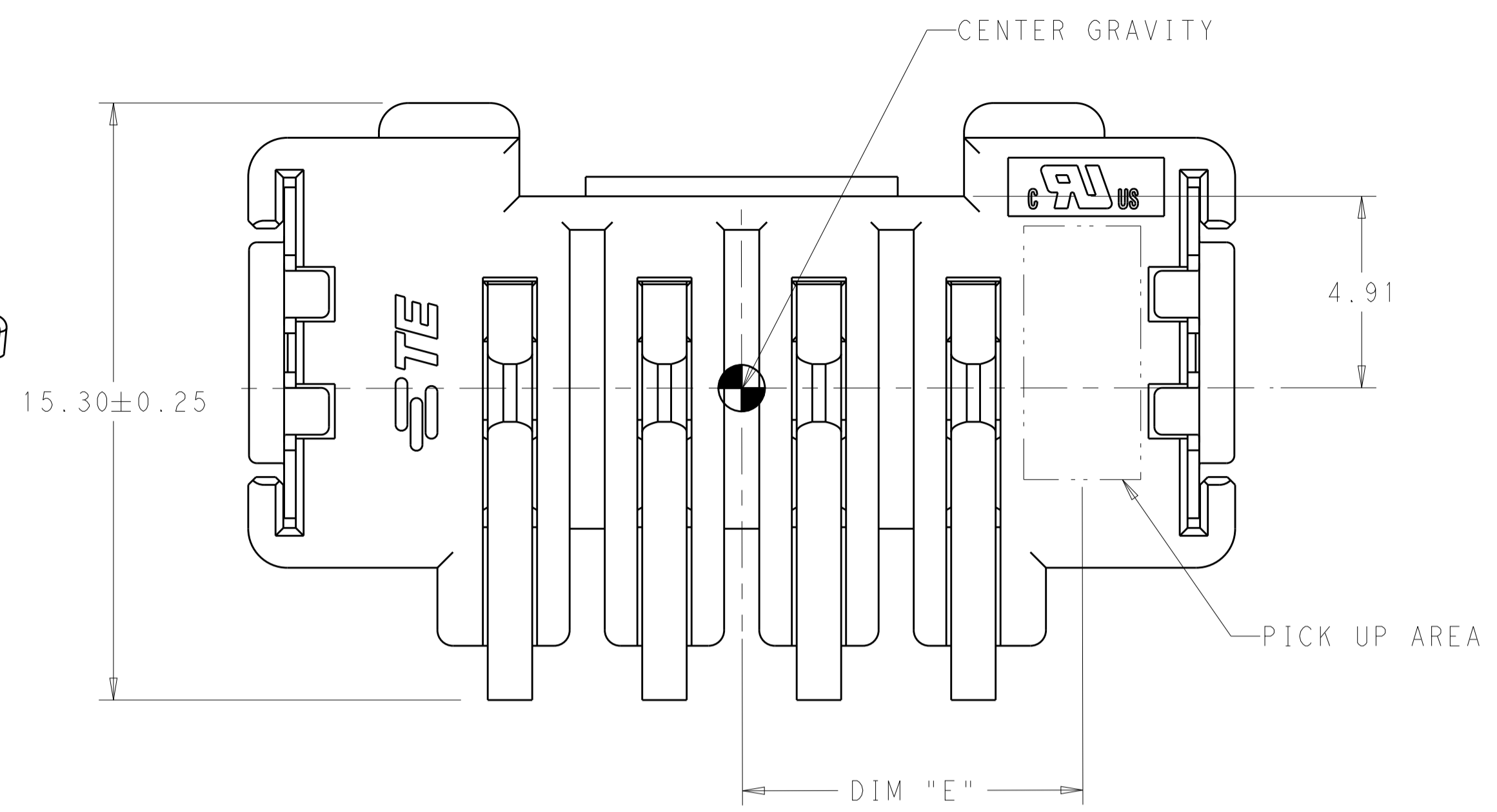
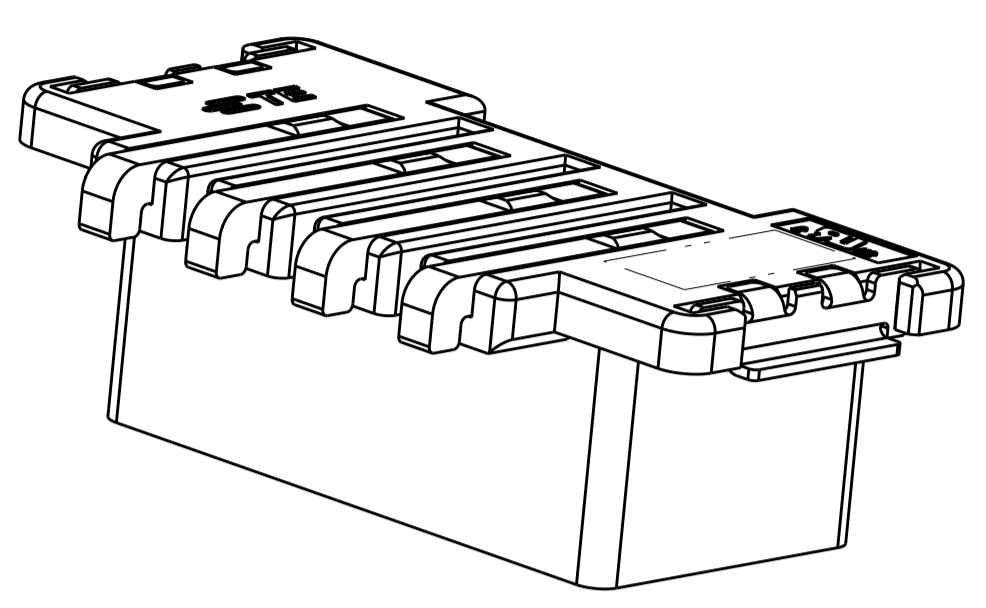
Tel: +86-755-8981 8866 Fax: +86-755-8427 6832

Email & Skype: info@chipsmall.com Web: www.chipsmall.com

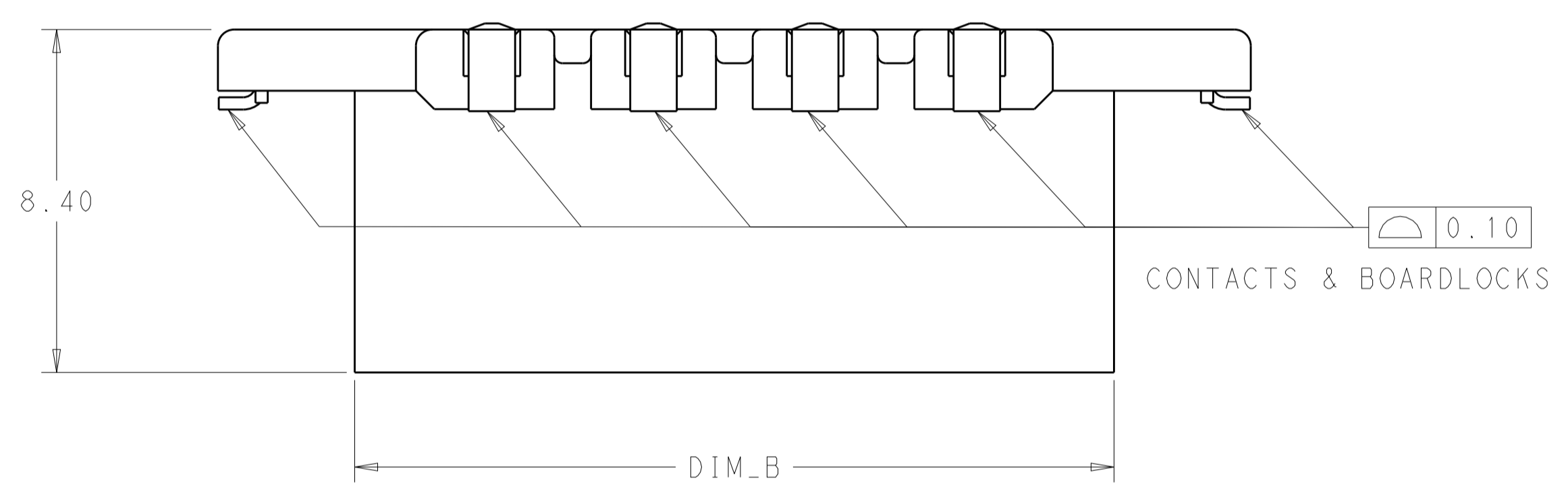
Address: A1208, Overseas Decoration Building, #122 Zhenhua RD., Futian, Shenzhen, China



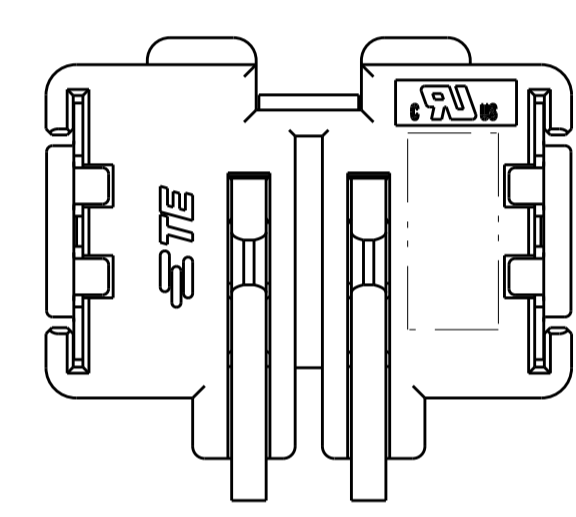
LOC		DIST		REVISIONS			
P	LTN	DESCRIPTION	DATE	DWN	APVD		
A		REVISED PER ECR-13-004439	20MAR2013	RS	DD		



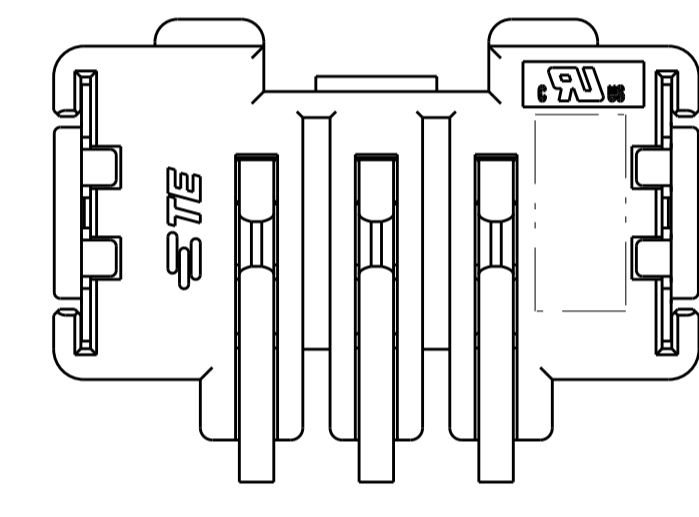
ISOMETRIC VIEW
(P/N: 2154829-3 SHOWN)



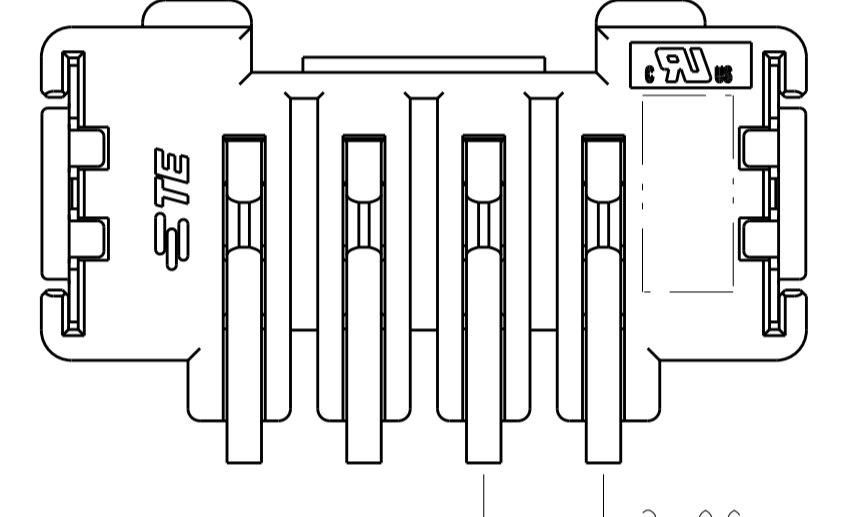
- MATERIAL AND FINISH:
 -HOUSING: LCP, COLOR: NATURAL
 -CONTACTS: COPPER ALLOY, FINISH: Sn OVER Ni
 -BOARD LOCKS: COPPER ALLOY, FINISH: Sn OVER Ni
- MUST COMPLY WITH DIRECTIVE 2002/95/EC (ROHS)
- PACKAGE IN TAPE & REEL PER ETA-48I SPECIFICATIONS
 DIAMETER OF REEL TO BE 330mm.
- THIS PRODUCT HAS NOT COMPLETED VALIDATION TESTING.



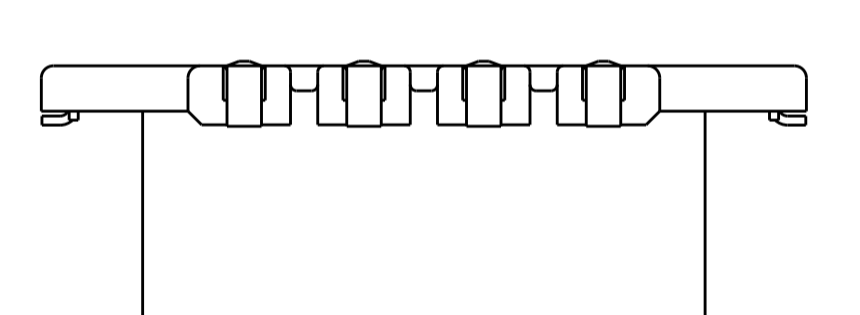
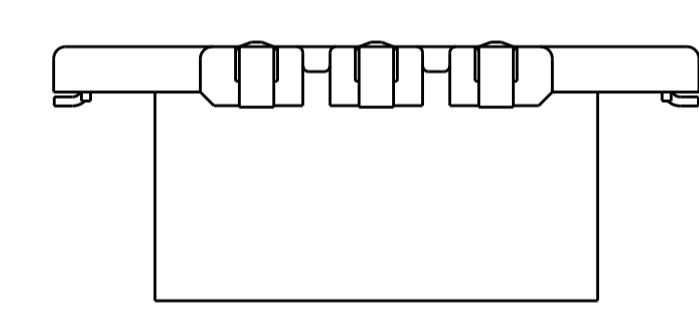
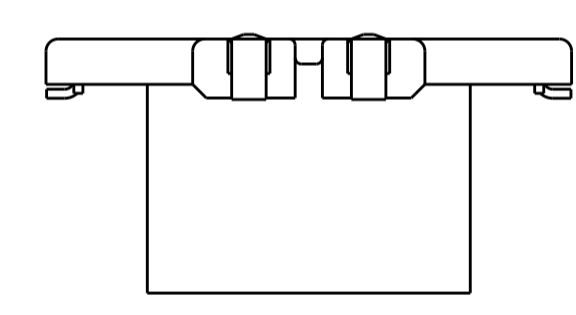
P/N: 2154829-1



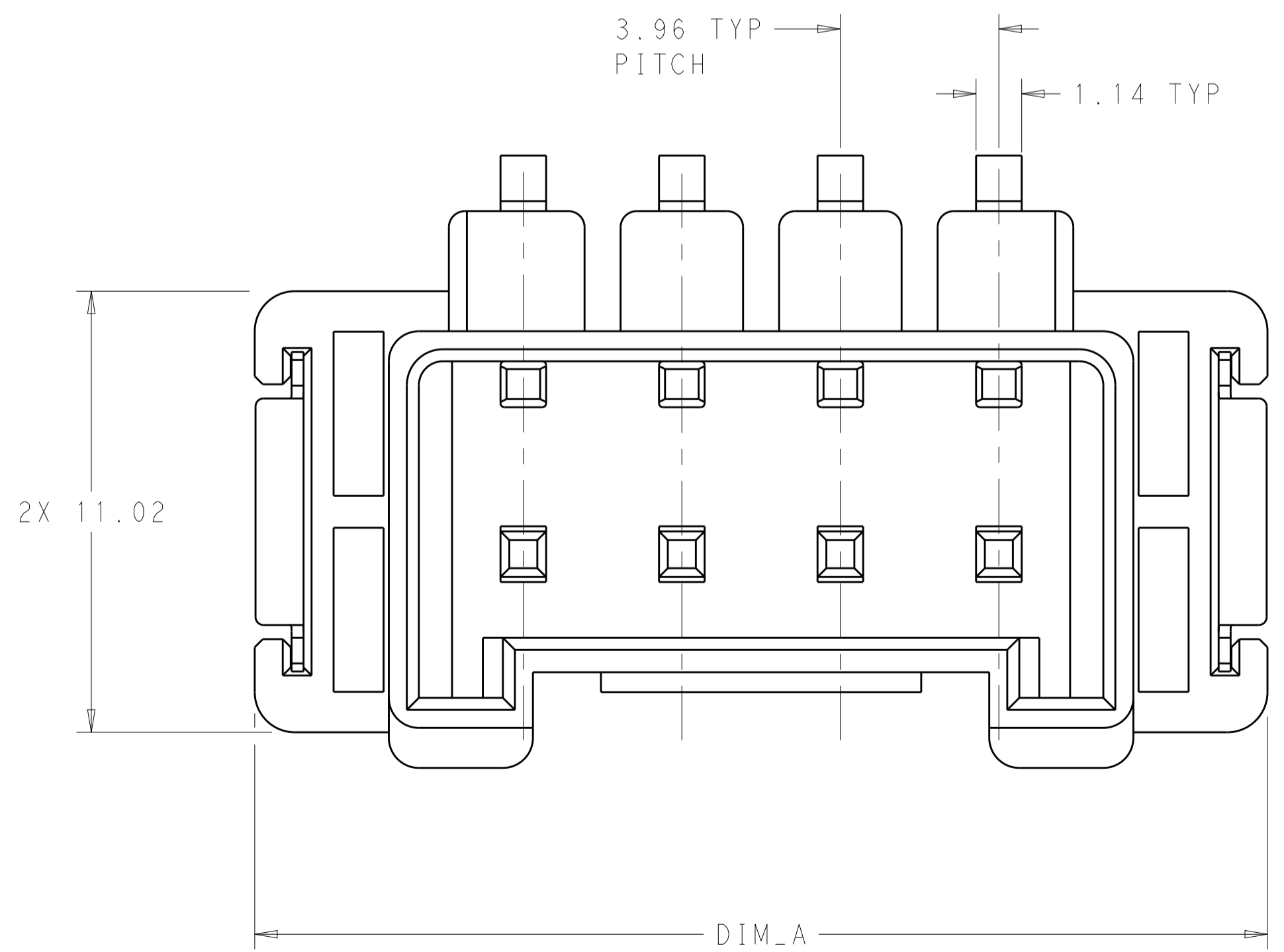
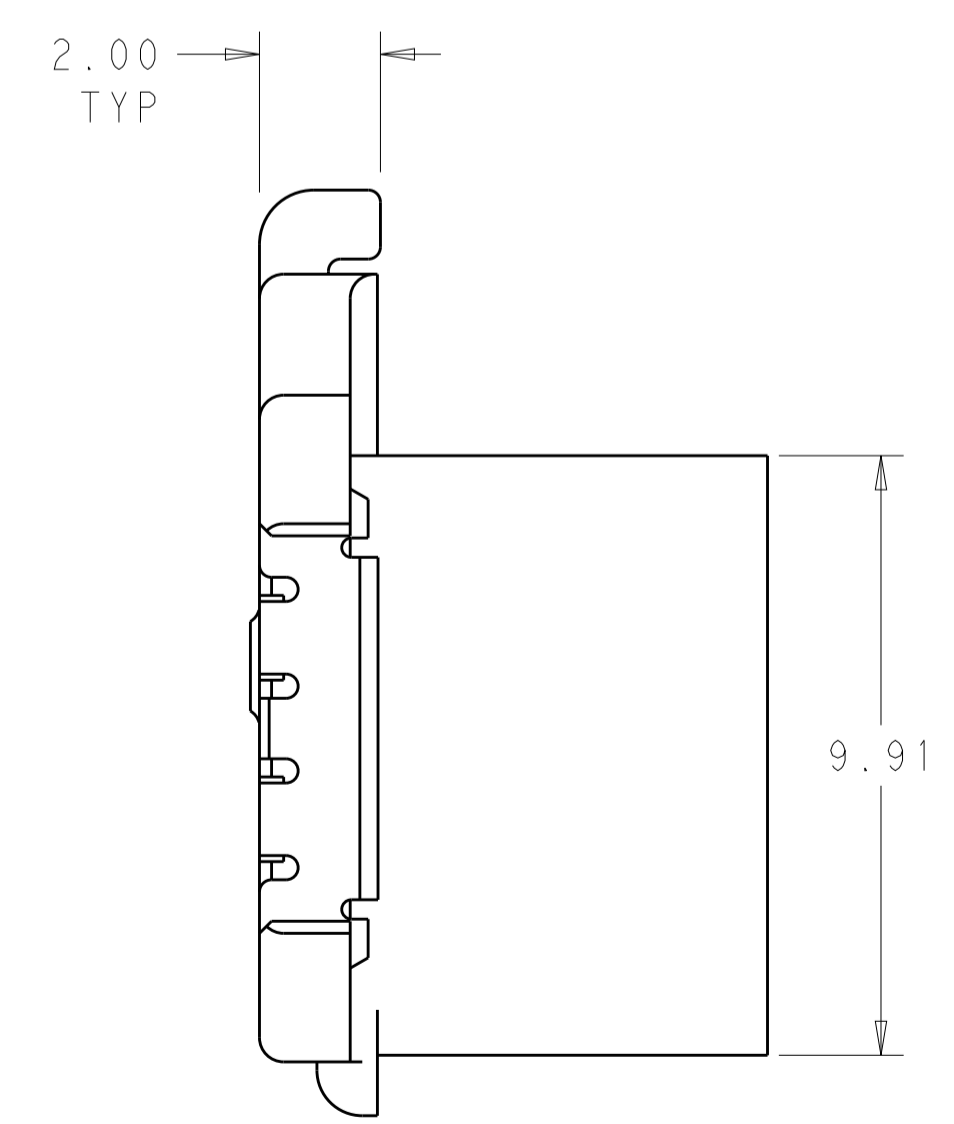
P/N: 2154829-2



P/N: 2154829-3



SCALE 4:1

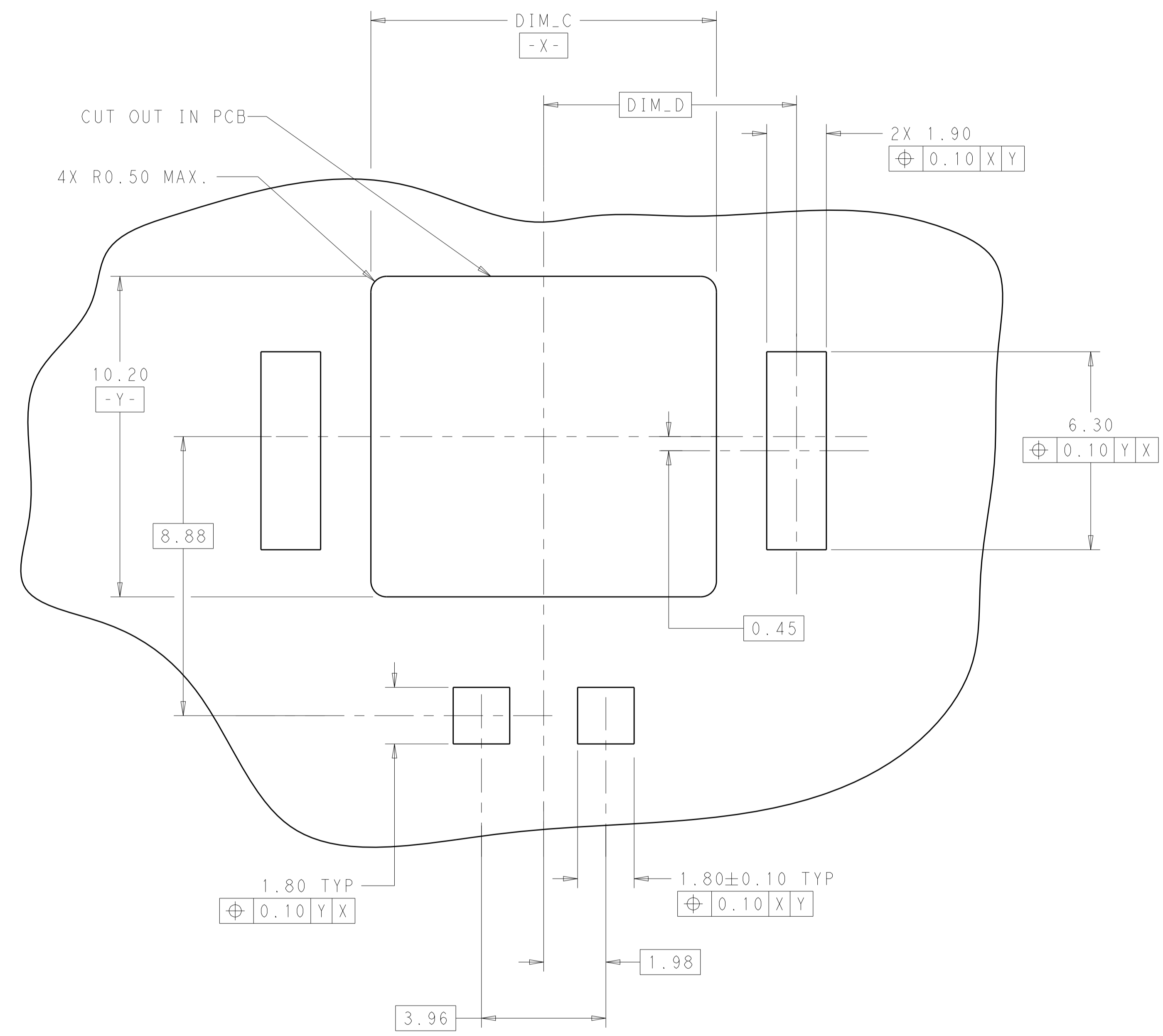


SCALE 8:1

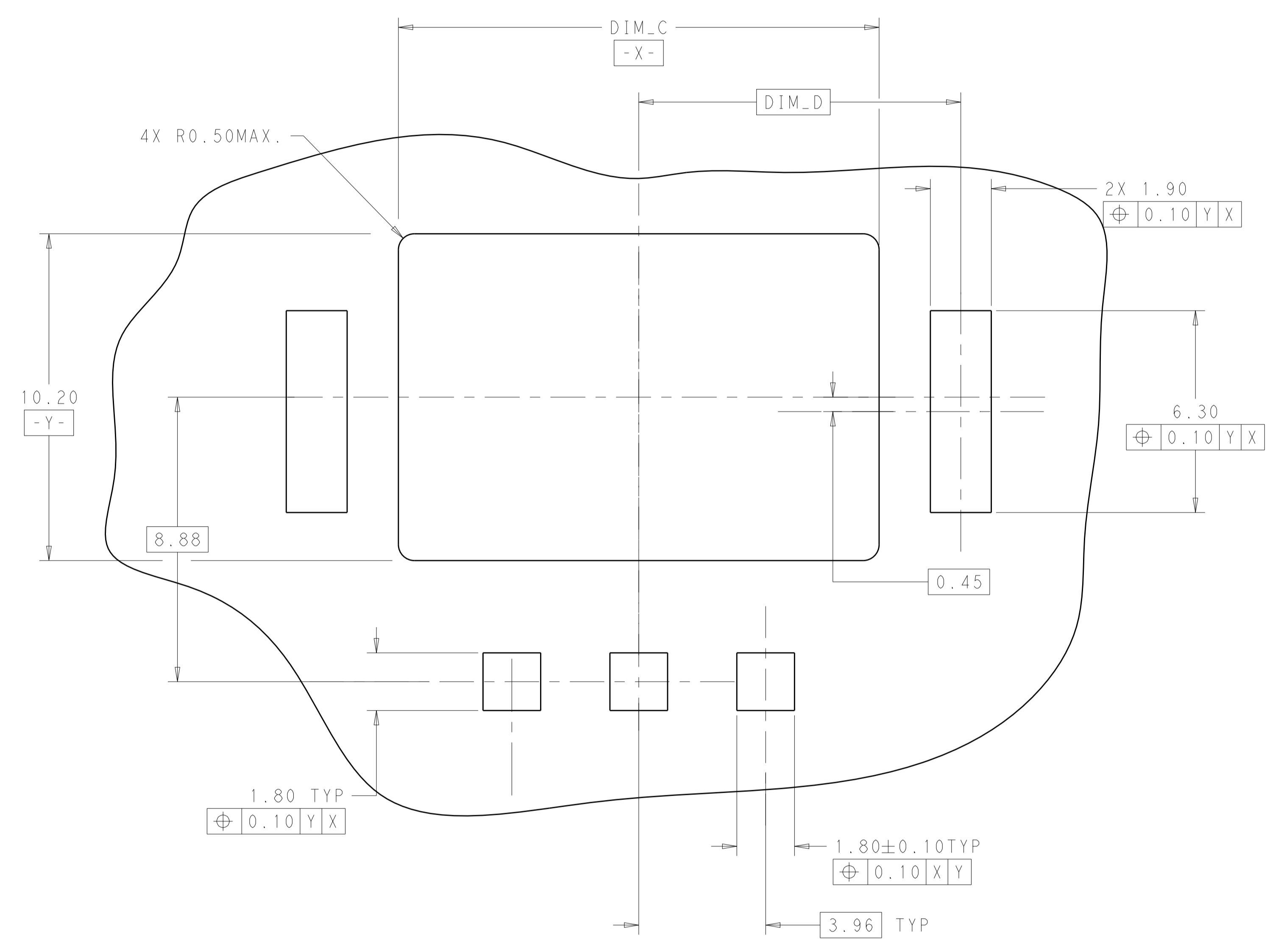
8.73	12.04	19.00	18.60	25.30	4	2154829-3
6.75	10.06	15.00	14.64	21.34	3	2154829-2
4.77	8.08	11.00	10.68	17.38	2	2154829-1
DIM_E	DIM_D	DIM_C	DIM_B	DIM_A	NO. OF POSN.	PART NUMBER

THIS DRAWING IS A CONTROLLED DOCUMENT.		DWN: G. PETERS 01FEB2012	TE Connectivity	
DIMENSIONS: mm		CHK: C. GINGRICH 01FEB2012		
TOLERANCES UNLESS OTHERWISE SPECIFIED:		APVD: C. GINGRICH	NAME: ASSEMBLY INVERTED THRU BOARD 2 THRU 4 POSITIONS 3.96 PITCH	
0 PLC	±	PRODUCT SPEC	SIZE: CAGE CODE DRAWING NO. RESTRICTED TO	
1 PLC	±	108-133000	A100779C=2154829	
2 PLC	±0.13	APPLICATION SPEC	SCALE: 1:1 SHEET 1 OF 3 REV A	
3 PLC	±	114-32030	Customer Drawing	
4 PLC	±	WEIGHT		
ANGLES	±			
FINISH				

LOC		DIST		REVISIONS			
P	LTN	DESCRIPTION	DATE	DMN	APVD		
-	-	SEE SHEET 1	-	-	-		



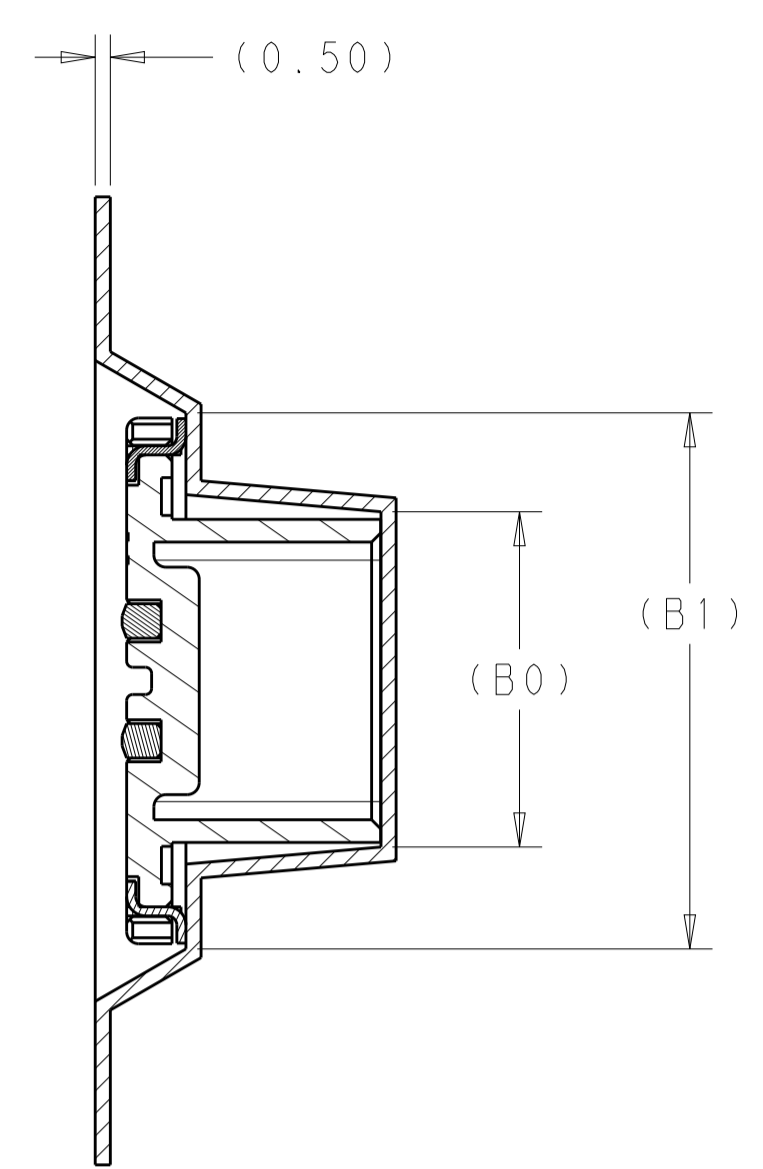
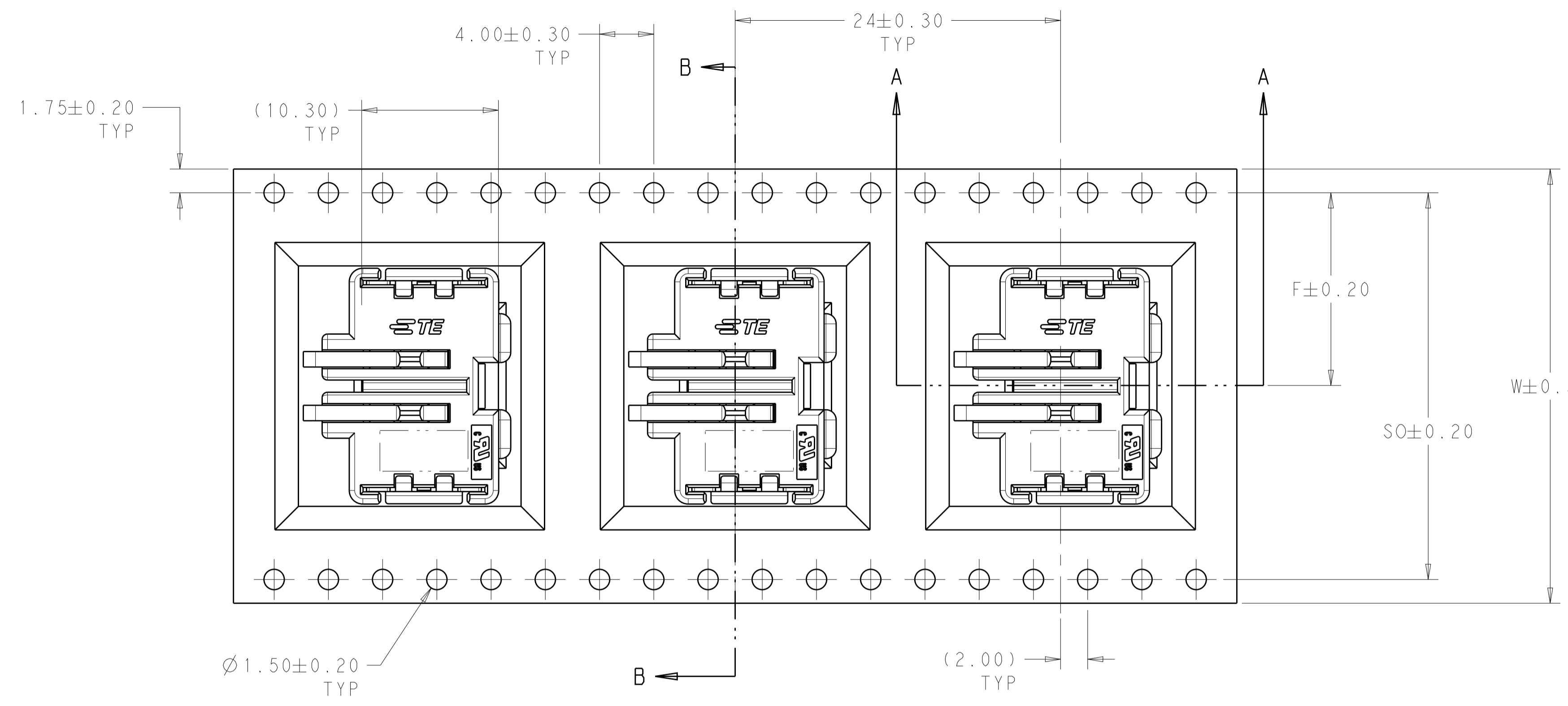
RECOMMENDED PCB LAYOUT
 EVEN NUMBER POSITIONS SHOWN
 SCALE 10:1



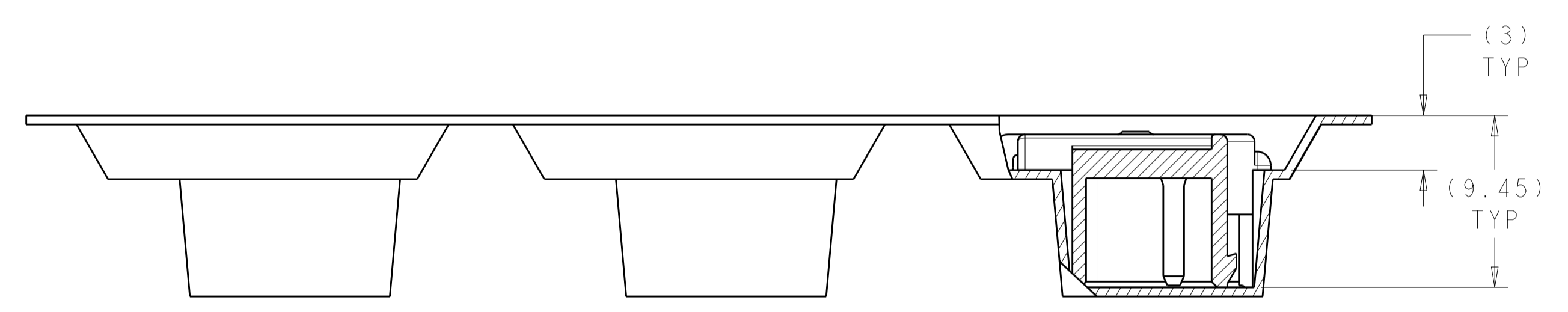
RECOMMENDED PCB LAYOUT
 ODD NUMBER POSITIONS SHOWN
 SCALE 10:1

THIS DRAWING IS A CONTROLLED DOCUMENT.		DMN G. PETERS 01FEB2012	TE Connectivity
DIMENSIONS: mm		CHK C. GINGRICH 01FEB2012	
TOLERANCES UNLESS OTHERWISE SPECIFIED:		APVD C. GINGRICH	NAME ASSEMBLY INVERTED THRU BOARD
0 PLC ±	1 PLC ±0.13	PRODUCT SPEC 108-133000	2 THRU 4 POSITIONS 3.96 PITCH
2 PLC ±	3 PLC ±	APPLICATION SPEC 114-32030	SIZE CAGE CODE DRAWING NO
4 PLC ±	ANGLES ±	WEIGHT	A100779C=2154829
MATERIAL	FINISH	Customer Drawing	RESTRICTED TO
		SCALE 1:1	SHEET 2 OF 3
			REV A

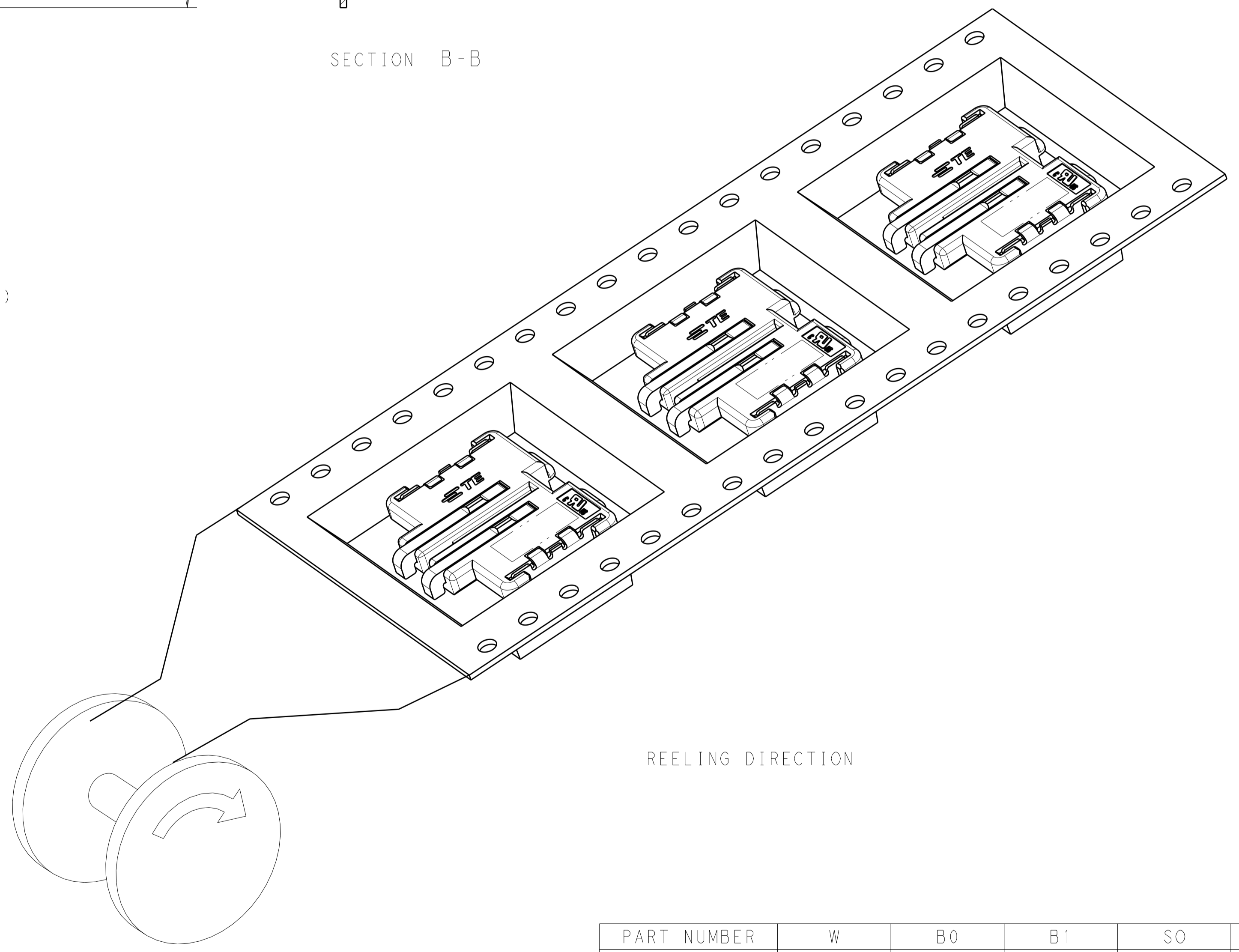
LOC		DIST		REVISIONS			
				DESCRIPTION	DATE	DWN	APVD
-	-	-	-	SEE SHEET 1	-	-	-



SECTION B-B



SECTION A-A



REELING DIRECTION

PART NUMBER	W	B0	B1	SO	F
2154829-1	32.0	11.1	18.3	28.5	14.2
2154829-2	44.0	15.06	22.26	40.5	20.2
2154829-3	44.0	19.02	26.22	40.5	20.2

THIS DRAWING IS A CONTROLLED DOCUMENT.		DWN: G. PETERS 01FEB2012	TE Connectivity ASSEMBLY INVERTED THRU BOARD 2 THRU 4 POSITIONS 3.96 PITCH
DIMENSIONS:		CHK: C. GINGRICH 01FEB2012	
TOLERANCES UNLESS OTHERWISE SPECIFIED:		APVD: C. GINGRICH	
mm		PRODUCT SPEC	
0 PLC	±	108-133000	SIZE: CAGE CODE DRAWING NO
2 PLC	±0.13	APPLICATION SPEC	RESTRICTED TO
3 PLC	±	114-32030	A100779C=2154829
4 PLC	±	WEIGHT	SCALE 1:1 SHEET 3 OF 3 REV A
ANGLES	±	Customer Drawing	