



Chipsmall Limited consists of a professional team with an average of over 10 year of expertise in the distribution of electronic components. Based in Hongkong, we have already established firm and mutual-benefit business relationships with customers from,Europe,America and south Asia,supplying obsolete and hard-to-find components to meet their specific needs.

With the principle of “Quality Parts,Customers Priority,Honest Operation,and Considerate Service”,our business mainly focus on the distribution of electronic components. Line cards we deal with include Microchip,ALPS,ROHM,Xilinx,Pulse,ON,Everlight and Freescale. Main products comprise IC,Modules,Potentiometer,IC Socket,Relay,Connector.Our parts cover such applications as commercial,industrial, and automotives areas.

We are looking forward to setting up business relationship with you and hope to provide you with the best service and solution. Let us make a better world for our industry!



## Contact us

Tel: +86-755-8981 8866 Fax: +86-755-8427 6832

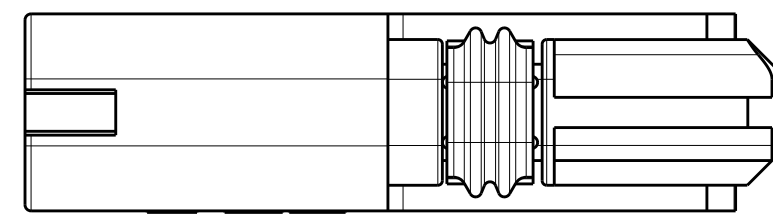
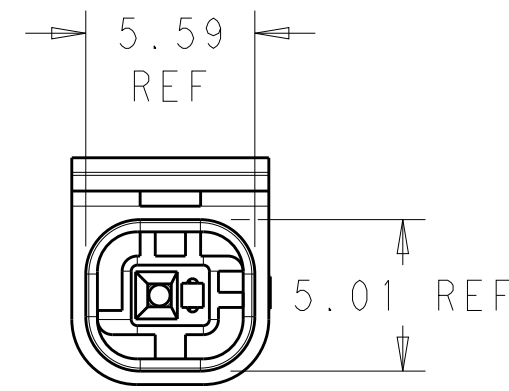
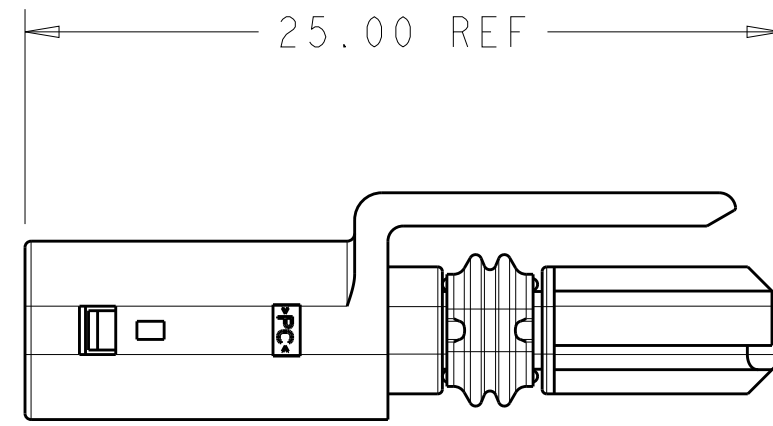
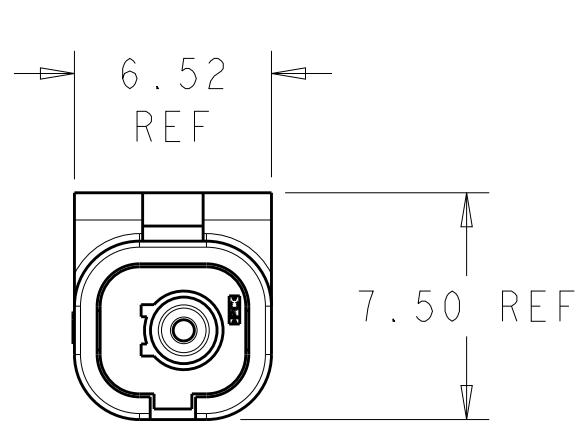
Email & Skype: info@chipsmall.com Web: www.chipsmall.com

Address: A1208, Overseas Decoration Building, #122 Zhenhua RD., Futian, Shenzhen, China

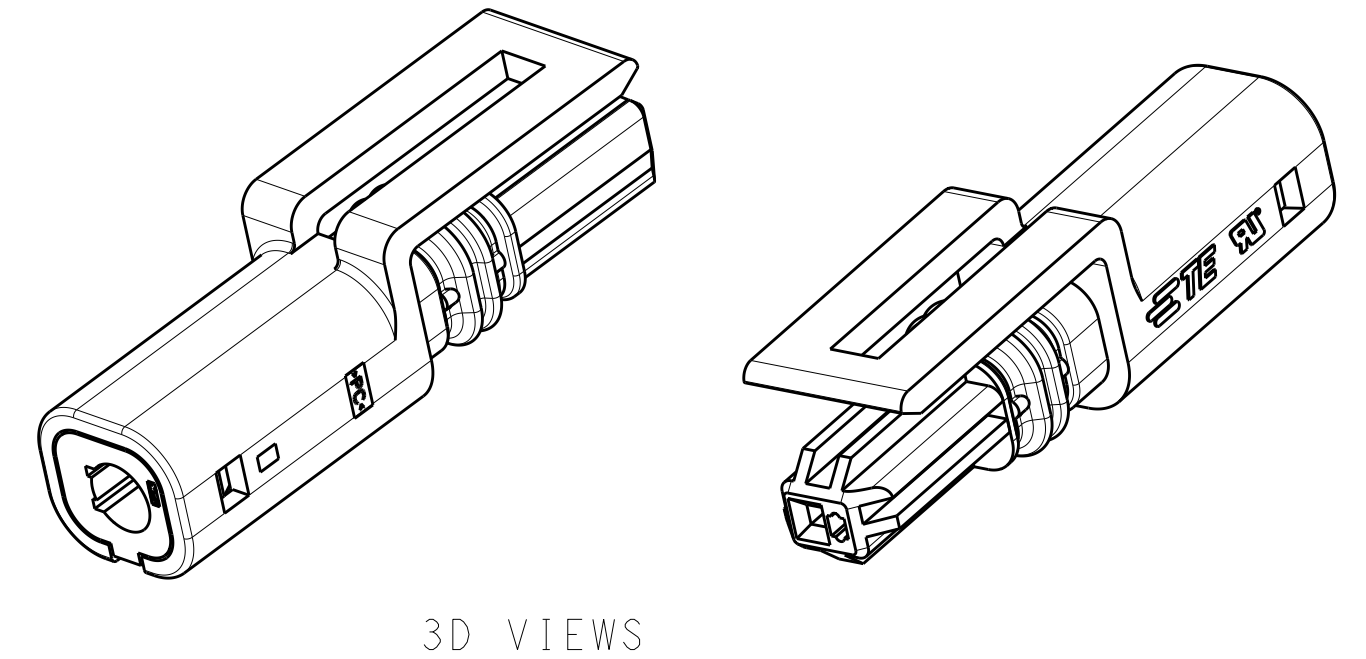
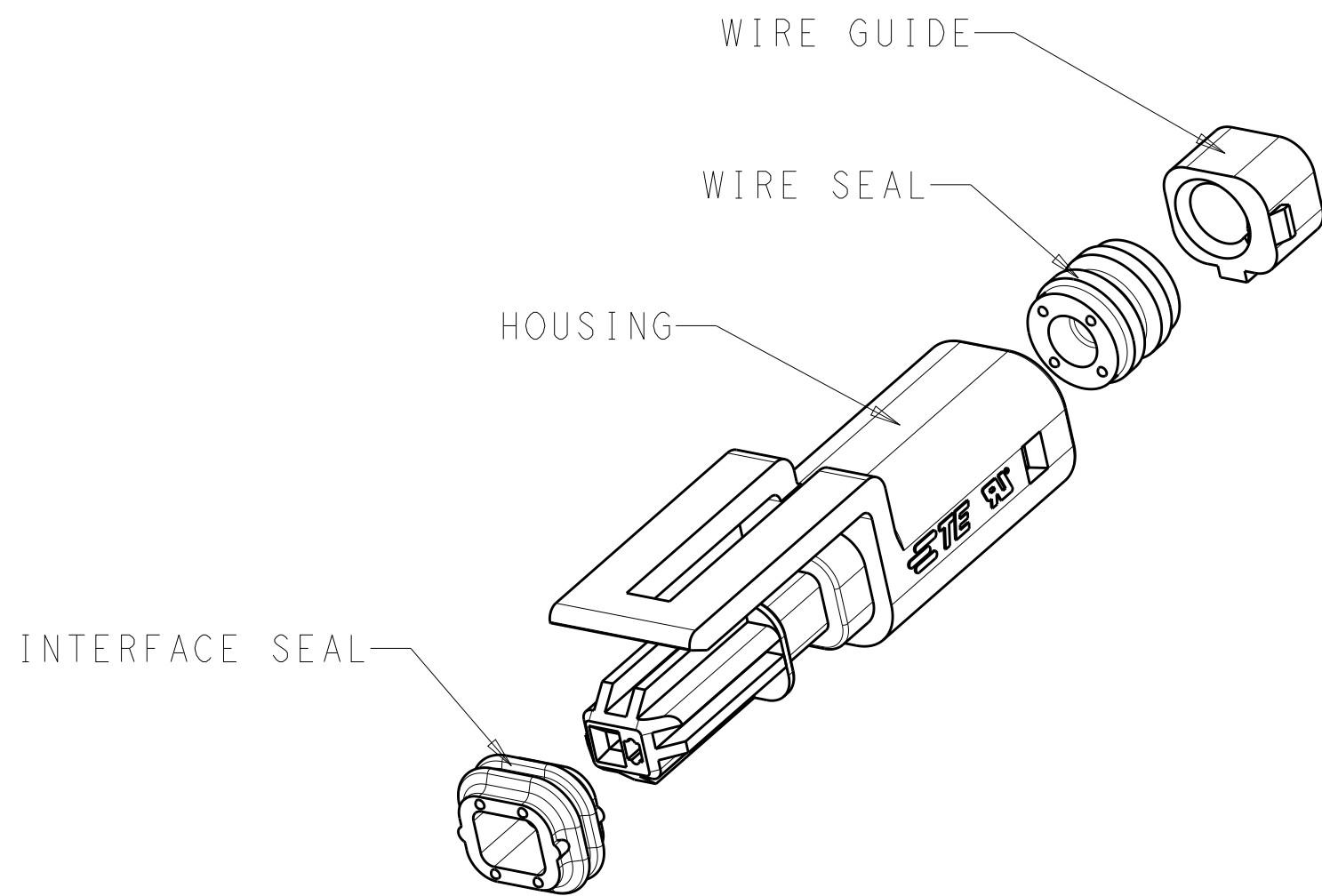


THIS DRAWING IS UNPUBLISHED. RELEASED FOR PUBLICATION 20  
 © COPYRIGHT 20 BY - ALL RIGHTS RESERVED.

LOC		DIST		REVISIONS			
P	LTR	DESCRIPTION	DATE	DWN	APVD		
	A	REVISED PER ECR-13-004959	28MAR2013	RS	DD		



- ⚠ MATERIALS:  
 HOUSING: POLYCARBONATE, FI PER UL 746C, COLOR: BLACK  
 WIRE GUIDE: POLYCARBONATE, FI PER UL 746C, COLOR: BLACK  
 SEALS: SILICONE RUBBER, COLOR: BLUE
- THIS PART HAS NOT COMPLETED VALIDATION TESTING.
  - MUST COMPLY WITH DIRECTIVE 2002/95/EC (ROHS).
  - DESIGNED TO ONLY MATE WITH P/N 2154852-1.



2154854-1

PART NUMBER

THIS DRAWING IS A CONTROLLED DOCUMENT.		DWN RAVLS 17MAR2012	TE Connectivity	
DIMENSIONS: mm		CHK D. DECKER 17MAR2012		
TOLERANCES UNLESS OTHERWISE SPECIFIED:		APVD D. DECKER 17MAR2012	NAME 1 POS PLUG ASSY	
0 PLC ± 1 PLC ± 2 PLC ±0.13 3 PLC ± 4 PLC ± ANGLES ± FINISH		PRODUCT SPEC -	SIZE A200779	CAGE CODE C-2154854
MATERIAL		APPLICATION SPEC -	DRAWING NO C-2154854	RESTRICTED TO -
		WEIGHT -	SCALE 4:1	SHEET 1 OF 1
		Customer Drawing	REV A	