



Chipsmall Limited consists of a professional team with an average of over 10 year of expertise in the distribution of electronic components. Based in Hongkong, we have already established firm and mutual-benefit business relationships with customers from,Europe,America and south Asia,supplying obsolete and hard-to-find components to meet their specific needs.

With the principle of “Quality Parts,Customers Priority,Honest Operation,and Considerate Service”,our business mainly focus on the distribution of electronic components. Line cards we deal with include Microchip,ALPS,ROHM,Xilinx,Pulse,ON,Everlight and Freescale. Main products comprise IC,Modules,Potentiometer,IC Socket,Relay,Connector.Our parts cover such applications as commercial,industrial, and automotives areas.

We are looking forward to setting up business relationship with you and hope to provide you with the best service and solution. Let us make a better world for our industry!



## Contact us

Tel: +86-755-8981 8866 Fax: +86-755-8427 6832

Email & Skype: info@chipsmall.com Web: www.chipsmall.com

Address: A1208, Overseas Decoration Building, #122 Zhenhua RD., Futian, Shenzhen, China



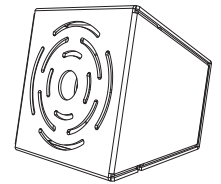
# Cardboard Mono Amplifier Case

www.kitronik.co.uk

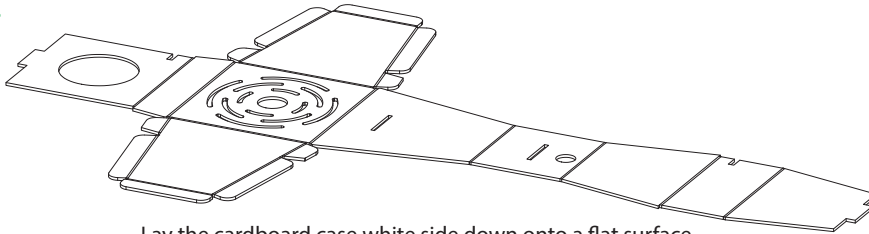


## Description

Follow the step by step diagrams below to assemble the case for the Mono Amplifier Project Kit.

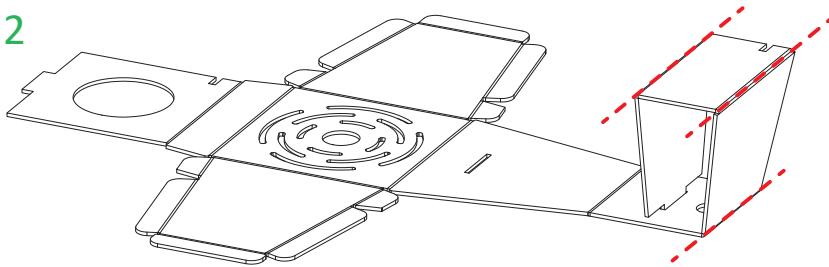


1



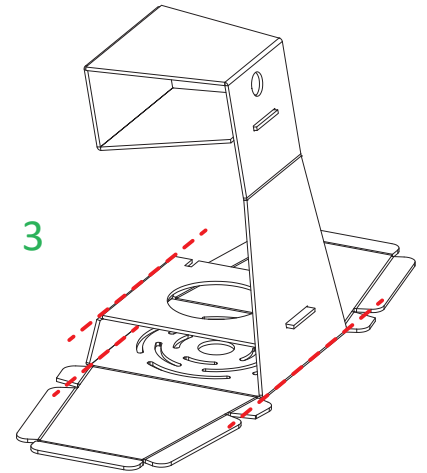
Lay the cardboard case white side down onto a flat surface.

2



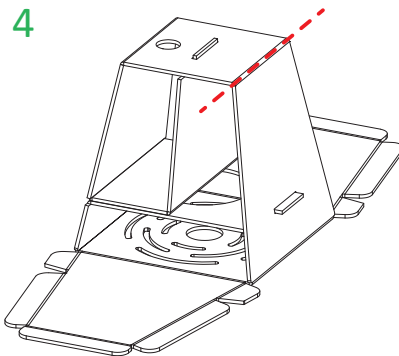
Fold marked lines and push the tab through the slot.

3



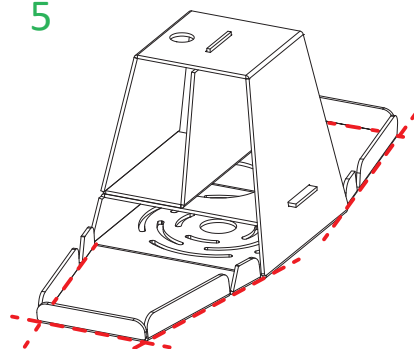
Fold marked lines and push the second tab through the other slot.

4



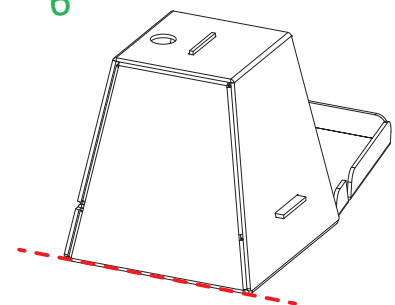
Fold marked line to form the three compartments.

5



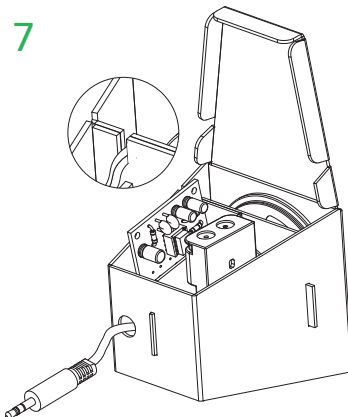
Fold all tabs in.

6



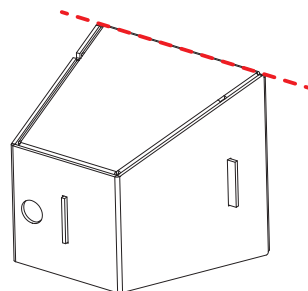
With the case orientated like the image above, fold the side closest to you. This will leave the correct side open for the next step.

7



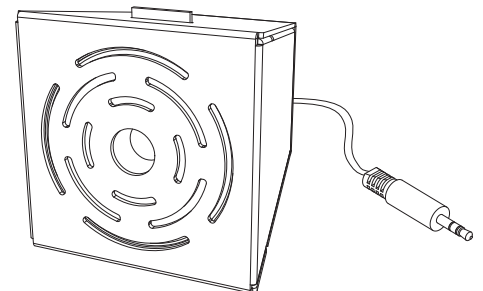
Slot the audio jack through the hole, insert electronics into the designated compartments & ensure wires are sat in the notches provided.

8



Fold final panel to close the product.

9



Plug in your device and enjoy the music!

