



Chipsmall Limited consists of a professional team with an average of over 10 year of expertise in the distribution of electronic components. Based in Hongkong, we have already established firm and mutual-benefit business relationships with customers from,Europe,America and south Asia,supplying obsolete and hard-to-find components to meet their specific needs.

With the principle of “Quality Parts,Customers Priority,Honest Operation,and Considerate Service”,our business mainly focus on the distribution of electronic components. Line cards we deal with include Microchip,ALPS,ROHM,Xilinx,Pulse,ON,Everlight and Freescale. Main products comprise IC,Modules,Potentiometer,IC Socket,Relay,Connector.Our parts cover such applications as commercial,industrial, and automotives areas.

We are looking forward to setting up business relationship with you and hope to provide you with the best service and solution. Let us make a better world for our industry!



Contact us

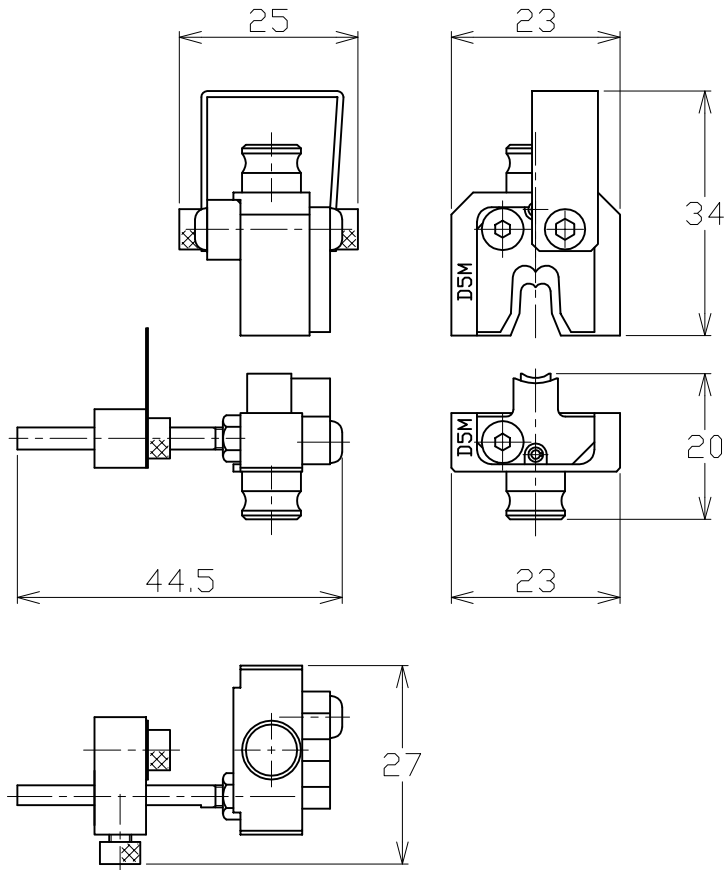
Tel: +86-755-8981 8866 Fax: +86-755-8427 6832

Email & Skype: info@chipsmall.com Web: www.chipsmall.com

Address: A1208, Overseas Decoration Building, #122 Zhenhua RD., Futian, Shenzhen, China



LOC J	DIST —	REVISIONS					DATE 12JUL2012	DWN S.N	APVD J.K
		P	LTR	DESCRIPTION					
		B	ECR-12-012555 REVISED						
TERMINAL No.	WIRE SIZE (mm ²)	AWG#	INS. RANGE (mm)	TERMINAL CH (mm)		APPL. SPEC.			
				WIRE	INS.				
316041-2 316041-3 316041-6	3.08-4.60	#12	ø4.0-ø5.2	2.26-2.43	4.65-5.69	114-5206			
917805-2 917805-3	4.60-5.50	#10		2.26-2.75					



THIS DRAWING IS UNPUBLISHED. ALL RIGHTS RESERVED. © COPYRIGHT - By Tyco Electronics Japan G.K.

PART No.	REMARKS
2155503-1	D5000-M

DIMENSIONS: mm	DWN S.NAKA 11MAY2012	MATERIAL	FINISH		
	CHK S.NAKA 11MAY2012				
TOLERANCES UNLESS OTHERWISE SPECIFIED:	APVD J.KOGA 11MAY2012			NAME	DIES, D5-M, TE REC-Li60
0 PLC ± 0.1	PRODUCT SPEC	SIZE	CAGE CODE	DRAWING NO	RESTRICTED TO
1 PLC ± 0.1	—	A4	00779	C-2155503	—
2 PLC ± 0.05	APPLICATION SPEC	CUSTOMER DRAWING		SCALE	SHEET
3 PLC ± 0.03	—			1:1	1 OF 1
4 PLC ±	—			REV B	
ANGLES ± 0'30'	WEIGHT Approx. 66g				

