



Chipsmall Limited consists of a professional team with an average of over 10 year of expertise in the distribution of electronic components. Based in Hongkong, we have already established firm and mutual-benefit business relationships with customers from,Europe,America and south Asia,supplying obsolete and hard-to-find components to meet their specific needs.

With the principle of “Quality Parts,Customers Priority,Honest Operation,and Considerate Service”,our business mainly focus on the distribution of electronic components. Line cards we deal with include Microchip,ALPS,ROHM,Xilinx,Pulse,ON,Everlight and Freescale. Main products comprise IC,Modules,Potentiometer,IC Socket,Relay,Connector.Our parts cover such applications as commercial,industrial, and automotives areas.

We are looking forward to setting up business relationship with you and hope to provide you with the best service and solution. Let us make a better world for our industry!



Contact us

Tel: +86-755-8981 8866 Fax: +86-755-8427 6832

Email & Skype: info@chipsmall.com Web: www.chipsmall.com

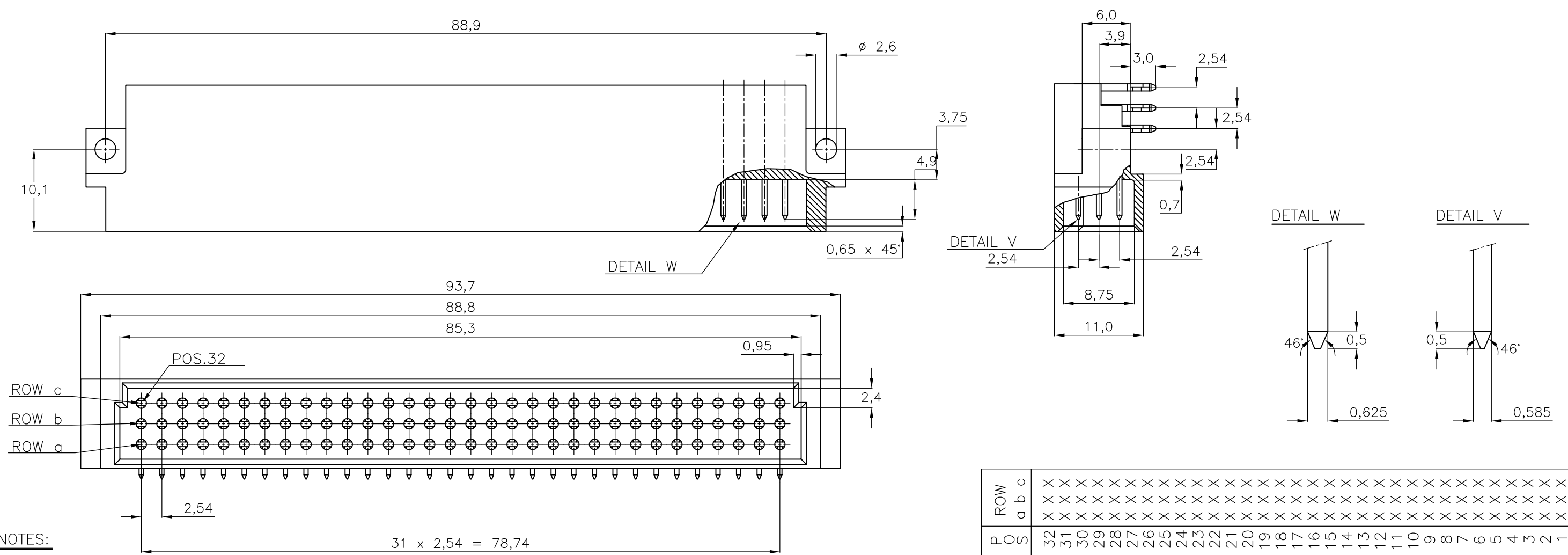
Address: A1208, Overseas Decoration Building, #122 Zhenhua RD., Futian, Shenzhen, China



THIS DRAWING IS UNPUBLISHED. RELEASED FOR PUBLICATION
 © COPYRIGHT - By - ALL RIGHTS RESERVED.

LOC	DIST	REVISIONS			
P	LTR	DESCRIPTION	DATE	DWN	APVD
H	-	C	EH-0927-95	03-08-95	JG -
		D	EH-1254-96	13-06-97	JG -
		E	ECR-07-011431	05-06-07	BSV MKO
		E1	ECR-11-010165	16JUN11	RK MKO

P.C.B. HOLE DIM. ACTION PIN
 DRILLED HOLE : 1,15 ± 0,025 mm
 FIN. HOLE : 0,94 to 1,09 mm
 AFTER REFLOW : 0,91 to 1,09 mm
 Cu-thks : 0,025 to 0,075 mm
 Sn-thks : 0,004 to 0,010 mm



- NOTES:
- 1 MATERIAL:
 - HOUSING: THERMOPL.POLYESTER
 - COLOUR : GREY
 - CONTACTS: PHOSPHORBRONZE
 - 2 PLATING CONTACT :
 - 1 : 1,25 μm Au OVER 1,25 μm Ni AT CONNECTOR MATING SIDE. 2,54 μm Sn OVER 1,25 μm Ni AT ACTION-PIN AREA.
 - 4 : 0,8μm Au OVER 1,25 μm Ni AT CONTACT AREA. 2,54 μm Sn OVER 1,25 μm Ni AT ACTION-PIN AREA.
 - 7 : 2,0 μm Au OVER 1,25 μm Ni AT CONNECTOR MATING SIDE. 2,54 μm Sn OVER 1,25 μm Ni AT ACTION-PIN AREA.
 - 8 : 0,4μm Au OVER 1,25 μm Ni AT CONNECTOR MATING SIDE. 2,54 μm Sn OVER 1,25 μm Ni AT ACTION-PIN AREA.
 - 9 : SAME AS -4 EXCEPT WITHOUT Sn

ROW	a	b	c
1	X	X	X
2	X	X	X
3	X	X	X
4	X	X	X
5	X	X	X
6	X	X	X
7	X	X	X
8	X	X	X
9	X	X	X
10	X	X	X
11	X	X	X
12	X	X	X
13	X	X	X
14	X	X	X
15	X	X	X
16	X	X	X
17	X	X	X
18	X	X	X
19	X	X	X
20	X	X	X
21	X	X	X
22	X	X	X
23	X	X	X
24	X	X	X
25	X	X	X
26	X	X	X
27	X	X	X
28	X	X	X
29	X	X	X
30	X	X	X
31	X	X	X
32	X	X	X

AN ASTERISK „X” DENOTES A CONTACT.

OBSOLETE	SEE NOTE 2	SEE NOTE 1	215605-9
OBSOLETE	SEE NOTE 2	SEE NOTE 1	215605-8
OBSOLETE	SEE NOTE 2	SEE NOTE 1	215605-7
	SEE NOTE 2	SEE NOTE 1	215605-4
	SEE NOTE 2	SEE NOTE 1	215605-1
	SEE NOTE	MATERIAL	PARTNUMBER

THIS DRAWING IS A CONTROLLED DOCUMENT.		DWN R.v.LOKVEN 16DEC86		TE Connectivity			
DIMENSIONS: mm		CHK J.GIBBELS				NAME	
TOLERANCES UNLESS OTHERWISE SPECIFIED:		APVD -				PRODUCT SPEC	
0 PLC ± - 1 PLC ± - 2 PLC ± - 3 PLC ± - 4 PLC ± - ANGLES ± RG		APPLICATION SPEC		96 POS. DIN 41612 TYPE C-MALE CONN. WITH ACTION PIN FOR 1,6 P.C.B. THK'S			
MATERIAL -		WEIGHT -		SIZE A3	CAGE CODE 00779		
				DRAWING NO C-215605			
CUSTOMER DRAWING				SCALE NTS	SHEET 1 OF 1		
				REV E1			