



Chipsmall Limited consists of a professional team with an average of over 10 year of expertise in the distribution of electronic components. Based in Hongkong, we have already established firm and mutual-benefit business relationships with customers from,Europe,America and south Asia,supplying obsolete and hard-to-find components to meet their specific needs.

With the principle of “Quality Parts,Customers Priority,Honest Operation,and Considerate Service”,our business mainly focus on the distribution of electronic components. Line cards we deal with include Microchip,ALPS,ROHM,Xilinx,Pulse,ON,Everlight and Freescale. Main products comprise IC,Modules,Potentiometer,IC Socket,Relay,Connector.Our parts cover such applications as commercial,industrial, and automotives areas.

We are looking forward to setting up business relationship with you and hope to provide you with the best service and solution. Let us make a better world for our industry!



Contact us

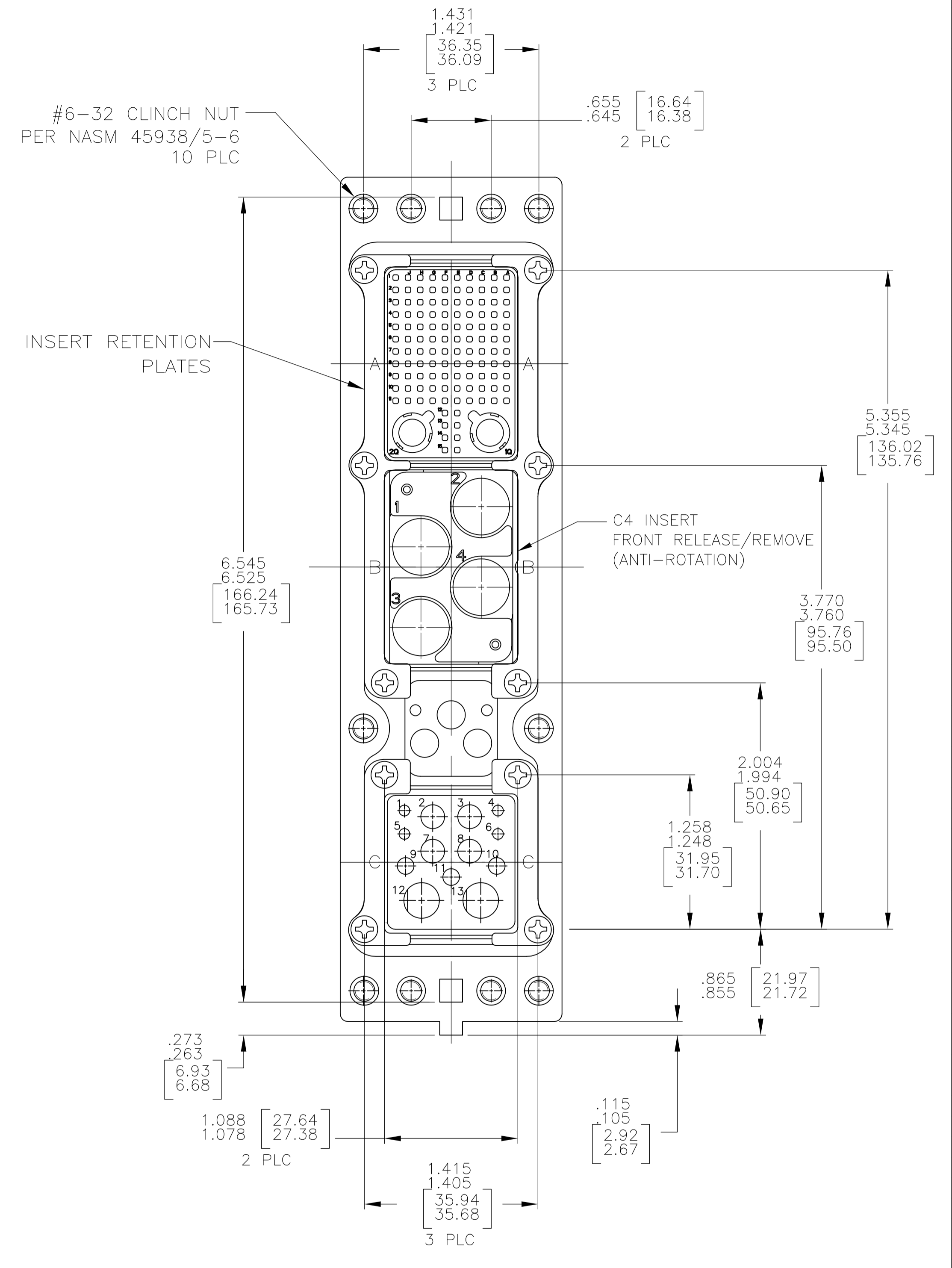
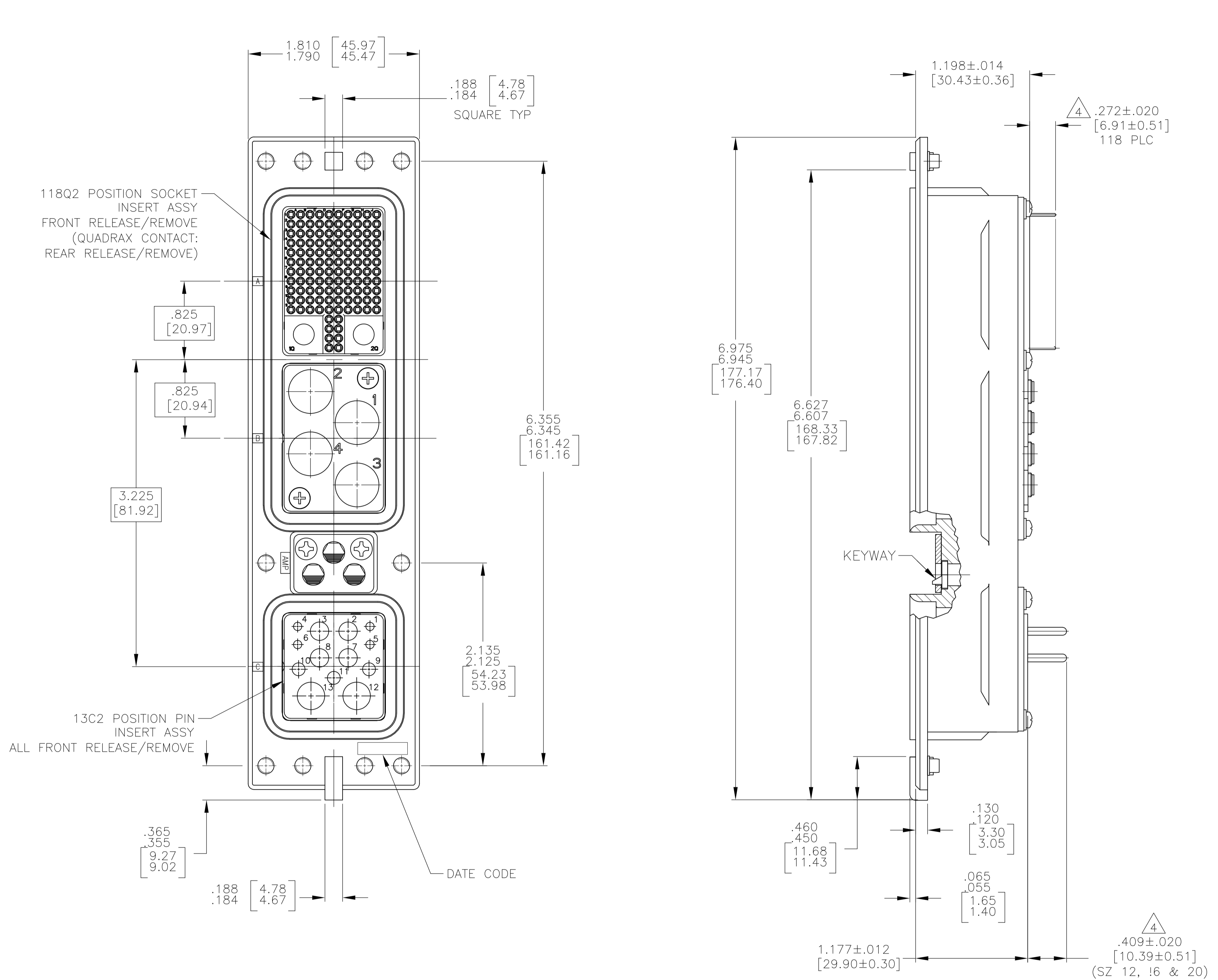
Tel: +86-755-8981 8866 Fax: +86-755-8427 6832

Email & Skype: info@chipsmall.com Web: www.chipsmall.com

Address: A1208, Overseas Decoration Building, #122 Zhenhua RD., Futian, Shenzhen, China



REVISONS		DATE	BY	APPD
C	REV PER ECO-11-009146	10MAY11	PY	WB



COMPONENT	MATERIAL	FINISH
SHELL	DIE CAST ALUMINUM PER ASTM-B-85	CHEMICAL CONVERSION COATING PER MIL-C-5541, CLASS 1A
INSERT RETENTION PLATES	ALUMINUM ALLOY PER ASTM-B-209	CHEMICAL CONVERSION COATING PER MIL-C-5541, CLASS 1A
SCREWS AND LOCKWASHERS	STEEL OR STAINLESS STEEL	CHROMATE OVER ZINC OR PASSIVATED
POLARIZING KEYS	ZINC ALLOY PER ASTM-B-86	-
POLARIZING KEY RETAINING PLATE	ALUMINUM ALLOY PER ASTM-B-209	BLUE ANODIZED PER MIL-A-8625
120T2 & 13C2 INSERTS	THERMOSET OR THERMOPLASTIC PPS PER MIL-M-24519	-
C4 INSERT	ALUMINUM ALLOY	ELECTROLESS NICKEL

- CONNECTOR DIMENSIONS ARE PER ARINC 600 SPECIFICATION.
- CONNECTOR IS SUPPLIED WITH CONTACTS AS LISTED IN TABLE.
- KEYING SHOWN IN POSITION "01" FOR ILLUSTRATION ONLY. CONNECTORS SHIPPED WITH KEYING INSTALLED IN POSITION PER TABLE. FOR POSITION "00" KEYING HARDWARE SHIPPED UNASSEMBLED.
- WITH CONTACTS FULLY SEATED TO REAR OF CAVITY.
- DUST COVER IS INCLUDED AND INSTALLED (NOT SHOWN).
- CONTACTS NOT SHOWN IN FRONT & REAR VIEWS FOR CLARITY.

"00"	MODULE A 211431-4 (SIZE 22 POSTED SOCKET CONTACT; QTY=118) 1445692-1 (SIZE 8 QUADRAX PIN CONTACT (NOT INSTALLED); QTY=2) MODULE B 446748-1 (SIZE 1 SMA CONTACT; QTY=4) MODULE C 1663767-2 (SIZE 20 FILLER PLUG; QTY=4) 1663767-3 (SIZE 16 FILLER PLUG; QTY=3) 448140-6 (SIZE 12 POSTED PIN CONTACT; QTY=4) 1484205-1 (SIZE 5 FILLER PLUG; QTY=2)	2157036-1
KEYING POSITION	CONTACTS & FILLER PLUGS INCLUDED AND INSTALLED EXCEPT AS NOTED	PART NUMBER

THIS DRAWING IS A CONTROLLED DOCUMENT. DIMENSIONS: INCHES. TOLERANCES UNLESS OTHERWISE SPECIFIED: 0 PLC ± .005, 1 PLC ± .005, 2 PLC ± .005, 3 PLC ± .005, 4 PLC ± .005, ANGLES ± .005.

APPROVED: K. THACKSTON, NAME: RCPT ASSY, SIZE 2, ARINC 600 (118Q2/C4/13C2), PRODUCT SPEC: APPLICATION SPEC, SIZE: A1, CASE CODE: 00779, DRAWING NO: 2157036, RESTRICTED TO: CUSTOMER DRAWING, SCALE: 3:2, SHEET: 1 OF 1, REV: C.

STE TE Connectivity