



Chipsmall Limited consists of a professional team with an average of over 10 year of expertise in the distribution of electronic components. Based in Hongkong, we have already established firm and mutual-benefit business relationships with customers from,Europe,America and south Asia,supplying obsolete and hard-to-find components to meet their specific needs.

With the principle of “Quality Parts,Customers Priority,Honest Operation,and Considerate Service”,our business mainly focus on the distribution of electronic components. Line cards we deal with include Microchip,ALPS,ROHM,Xilinx,Pulse,ON,Everlight and Freescale. Main products comprise IC,Modules,Potentiometer,IC Socket,Relay,Connector.Our parts cover such applications as commercial,industrial, and automotives areas.

We are looking forward to setting up business relationship with you and hope to provide you with the best service and solution. Let us make a better world for our industry!



Contact us

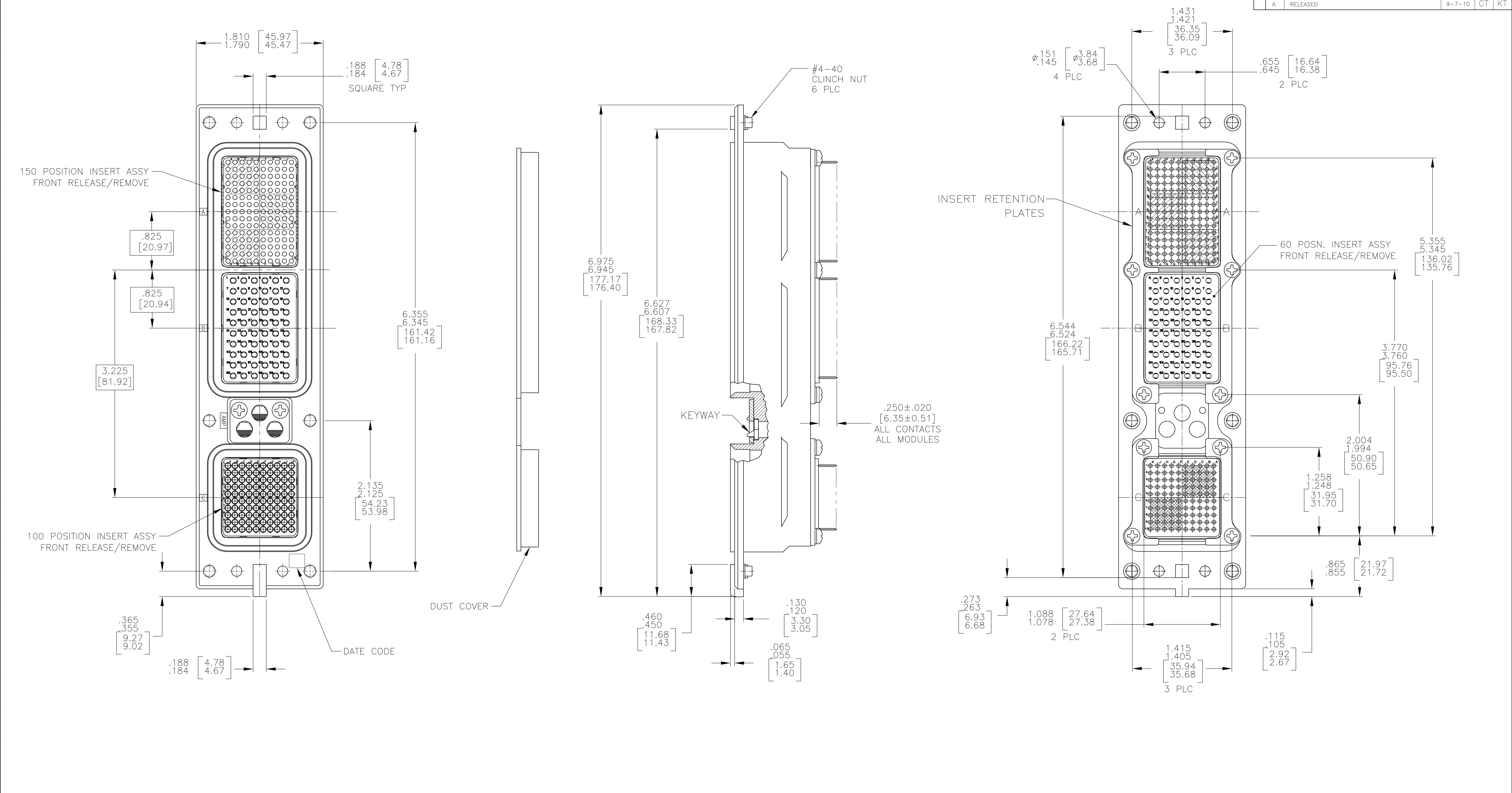
Tel: +86-755-8981 8866 Fax: +86-755-8427 6832

Email & Skype: info@chipsmall.com Web: www.chipsmall.com

Address: A1208, Overseas Decoration Building, #122 Zhenhua RD., Futian, Shenzhen, China



REVISONS		DATE	DWN	APVD
P	LTR	DESCRIPTION		
A	RELEASED		9-7-10	CT KT



- CONNECTOR DIMENSIONS ARE PER ARINC 600 SPECIFICATION
- DUST COVER INSTALLED FOR SHIPPING.
- KEYING SHOWN IN POSITION "01" FOR REFERENCE ONLY. SEE TABLE FOR KEYING POSITION. FOR POSITION "00" KEYING SHIPPED UNASSEMBLED.
- CONTACTS NOT SHOWN IN FRONT AND REAR VIEWS FOR CLARITY.

COMPONENT	MATERIAL	FINISH
SHELL	DIE CAST ALUMINUM PER ASTM-B-85	ELECTROLESS NICKEL PER MIL-C-26074
INSERT RETENTION PLATES	ALUMINUM ALLOY PER ASTM-B-209	ELECTROLESS NICKEL PER MIL-C-26074
SCREWS AND LOCKWASHERS	STEEL OR STAINLESS STEEL	CHROMATE OVER ZINC OR PASSIVATED
POLARIZING KEYS	ZINC ALLOY PER ASTM-B-86	-
POLARIZING KEY RETAINING PLATE	ALUMINUM ALLOY PER ASTM-B-209	BLUE ANODIZED PER MIL-A-8625
INSERTS	THERMOSET OR THERMOPLASTIC PPS PER MIL-M-24519	-
DUST COVER	CONDUCTIVE THERMOPLASTIC	-

NIC66GN402FF00SB0	"00"	MODULE A 211431-4 (SZ 22 POSTED SOCKET CONTACT; QTY=150) MODULE B 1-448138-2 (SZ 20 POSTED PIN CONTACT; QTY=60) MODULE C 211431-4 (SZ 22 POSTED SOCKET CONTACT; QTY=100)	2157108-1
DESCRIPTIVE NUMBER	KEYING POSITION	CONTACTS INCLUDED AND INSTALLED	PART NUMBER
THIS DRAWING IS A CONTROLLED DOCUMENT.		DIMENSIONS: INCHES [mm] TOLERANCES UNLESS OTHERWISE SPECIFIED: 0 PLC ± - 1 PLC ± - 2 PLC ± - 3 PLC ± - 4 PLC ± - ANGLES ± -	
MATERIAL SEE TABLE		FINISH SEE TABLE WEIGHT - CUSTOMER DRAWING	
DWN C.C.THOMAS 9-7-10 CHK K.THACKSTON 9-7-10 APVD K.THACKSTON 9-7-10		Tyco Electronics Corporation Harrisburg, PA 17105-3608 NAME RCPT ASSY, SIZE 2, ARINC 600 (150/60/100), FR SIZE A1 CAGE CODE 00779 DRAWING NO. 2157108 RESTRICTED TO - SCALE 3:2 SHEET 1 OF 1 REV A	