



Chipsmall Limited consists of a professional team with an average of over 10 year of expertise in the distribution of electronic components. Based in Hongkong, we have already established firm and mutual-benefit business relationships with customers from,Europe,America and south Asia,supplying obsolete and hard-to-find components to meet their specific needs.

With the principle of “Quality Parts,Customers Priority,Honest Operation,and Considerate Service”,our business mainly focus on the distribution of electronic components. Line cards we deal with include Microchip,ALPS,ROHM,Xilinx,Pulse,ON,Everlight and Freescale. Main products comprise IC,Modules,Potentiometer,IC Socket,Relay,Connector.Our parts cover such applications as commercial,industrial, and automotives areas.

We are looking forward to setting up business relationship with you and hope to provide you with the best service and solution. Let us make a better world for our industry!



Contact us

Tel: +86-755-8981 8866 Fax: +86-755-8427 6832

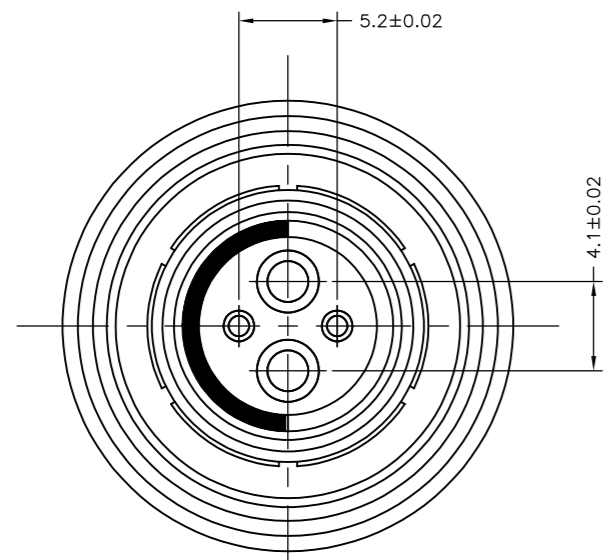
Email & Skype: info@chipsmall.com Web: www.chipsmall.com

Address: A1208, Overseas Decoration Building, #122 Zhenhua RD., Futian, Shenzhen, China

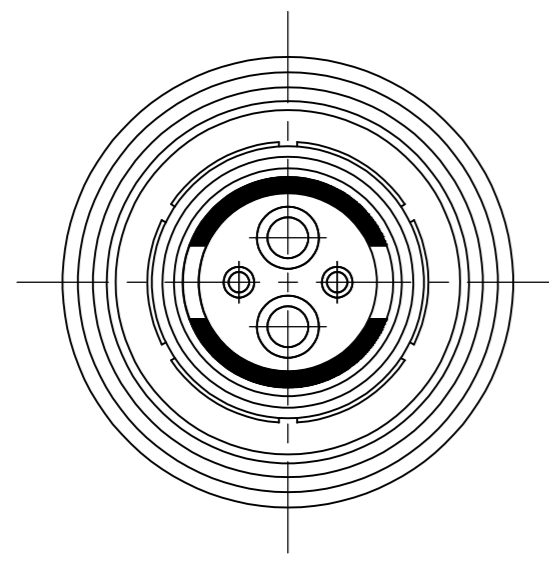


THIS DRAWING IS UNPUBLISHED. RELEASED FOR PUBLICATION
 © COPYRIGHT - By - ALL RIGHTS RESERVED.

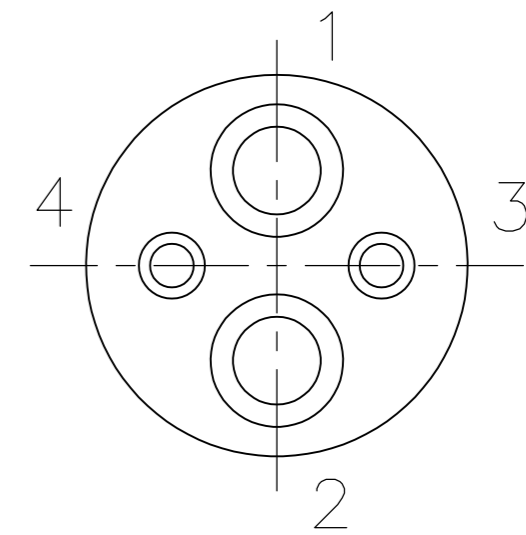
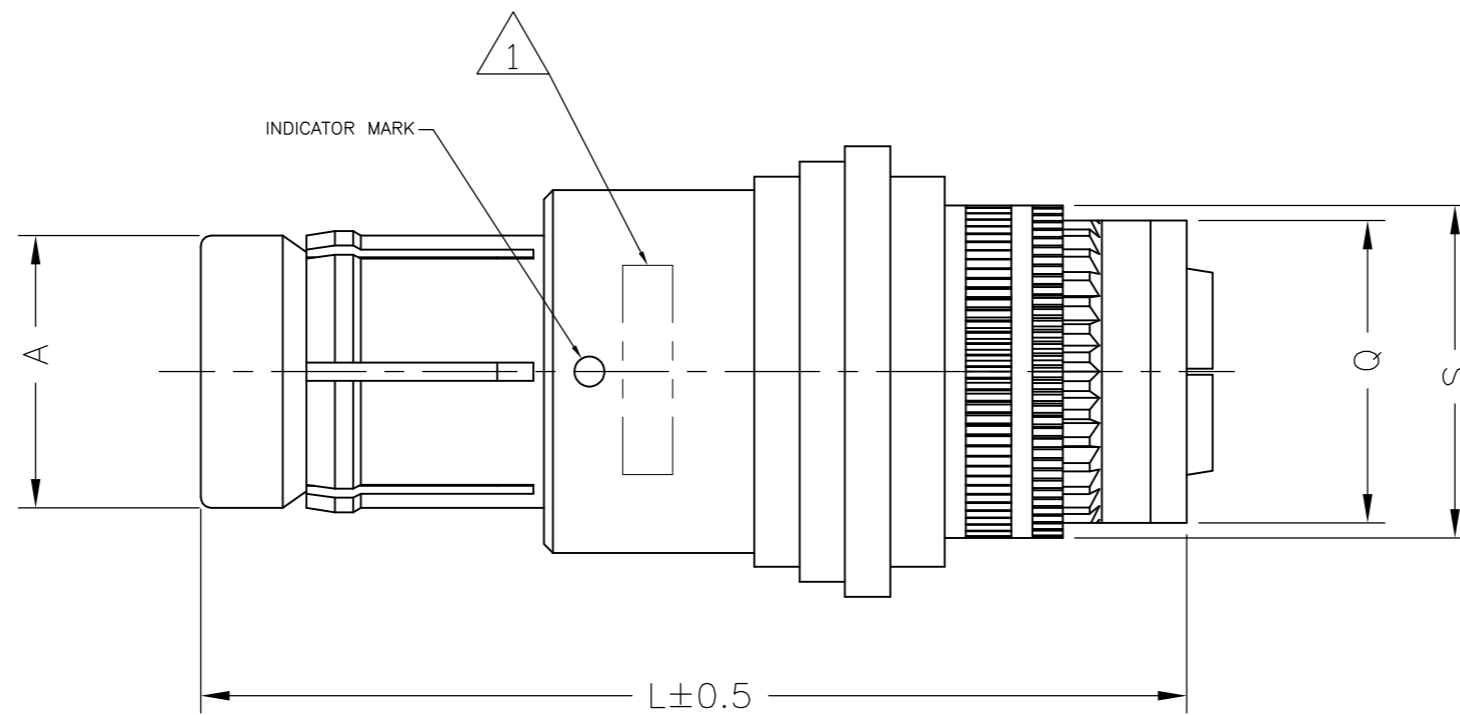
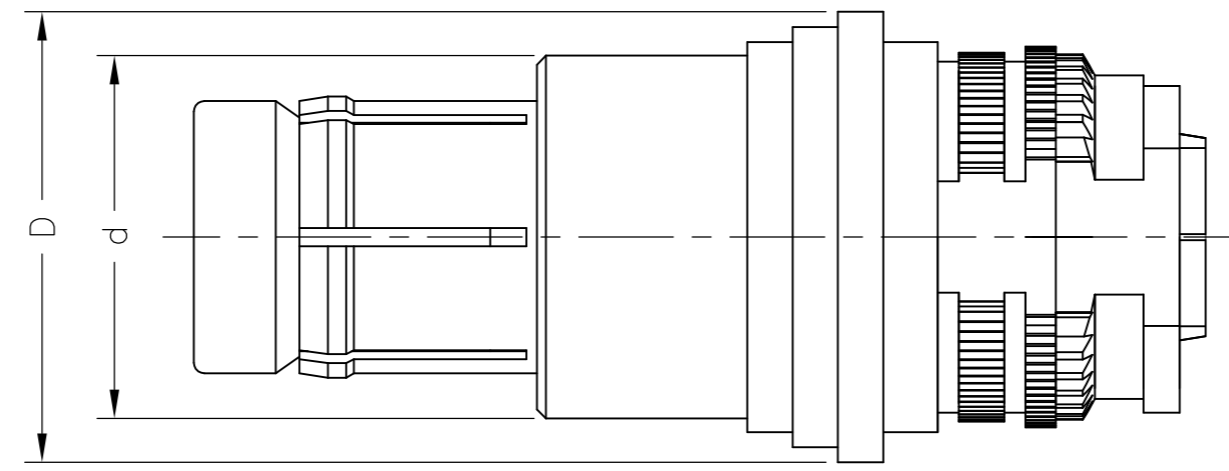
LOC		DIST		REVISIONS			
P	LTR	DESCRIPTION		DATE	DWN	APVD	
		D		REVISED PER ECO 13-001843.	08FEB2013	MGM	CT



SINGLE POLARIZATION



DOUBLE POLARIZATION



CAVITY IDENTIFICATION WHEN VIEWED FROM REAR OF CONNECTOR

1 THE PART IS MARKED WITH THE TE PART NUMBER, CHINA, DATE CODE AND LOT ID.

2. DWV RATING: 875VAC @ SEA LEVEL

3. WIRE SIZE: 2.3MM - 12AWG MAX
0.9MM - 22AWG MAX

4. WORKING TEMPERATURE: -55°C ~ +125°C

5 MATERIAL:
CONTACT : COPPER ALLOY
SHELL : COPPER ALLOY
INSULATOR : PEEK

6 FINISH
CONTACT: GOLD OVER NICKEL
SHELL : BLACK CHROMIUM

7 ALL TOLERANCES TO BE ±0.20 MM UNLESS NOTED.

CHROMIUM-BLACK	DOUBLE	SOLDERING	ø12	ø12	ø13	38.6	ø15	ø18	4	2157469-2
CHROMIUM-BLACK	SINGLE	SOLDERING	ø12	ø12	ø13	38.6	ø15	ø18	4	2157469-1
FINISH	POLARIZATION	TERMINATION	A	Q	S	L max	d	D	SHELL SIZE	TE PART NUMBER

THIS DRAWING IS A CONTROLLED DOCUMENT.		DWN C.C THOMAS 14MAR2011		
DIMENSIONS: mm		CHK R. GROSS 14MAR2011		
TOLERANCES UNLESS OTHERWISE SPECIFIED:		APVD R. GROSS 14MAR2011	NAME CIRCULAR HD PLUG WITH SOCKET CONTACTS 4 POS.	
0 PLC ± -		PRODUCT SPEC 108-127005	SIZE A2	
1 PLC ± -		APPLICATION SPEC	CAGE CODE 00779	
2 PLC ± 0.20			DRAWING NO C=2157469	
3 PLC ± -			RESTRICTED TO	
4 PLC ± -			SCALE NTS	
ANGLES ± 3°			SHEET 1 of 1	
FINISH		WEIGHT -	REV D	
MATERIAL		CUSTOMER DRAWING		