



Chipsmall Limited consists of a professional team with an average of over 10 year of expertise in the distribution of electronic components. Based in Hongkong, we have already established firm and mutual-benefit business relationships with customers from,Europe,America and south Asia,supplying obsolete and hard-to-find components to meet their specific needs.

With the principle of “Quality Parts,Customers Priority,Honest Operation,and Considerate Service”,our business mainly focus on the distribution of electronic components. Line cards we deal with include Microchip,ALPS,ROHM,Xilinx,Pulse,ON,Everlight and Freescale. Main products comprise IC,Modules,Potentiometer,IC Socket,Relay,Connector.Our parts cover such applications as commercial,industrial, and automotives areas.

We are looking forward to setting up business relationship with you and hope to provide you with the best service and solution. Let us make a better world for our industry!



## Contact us

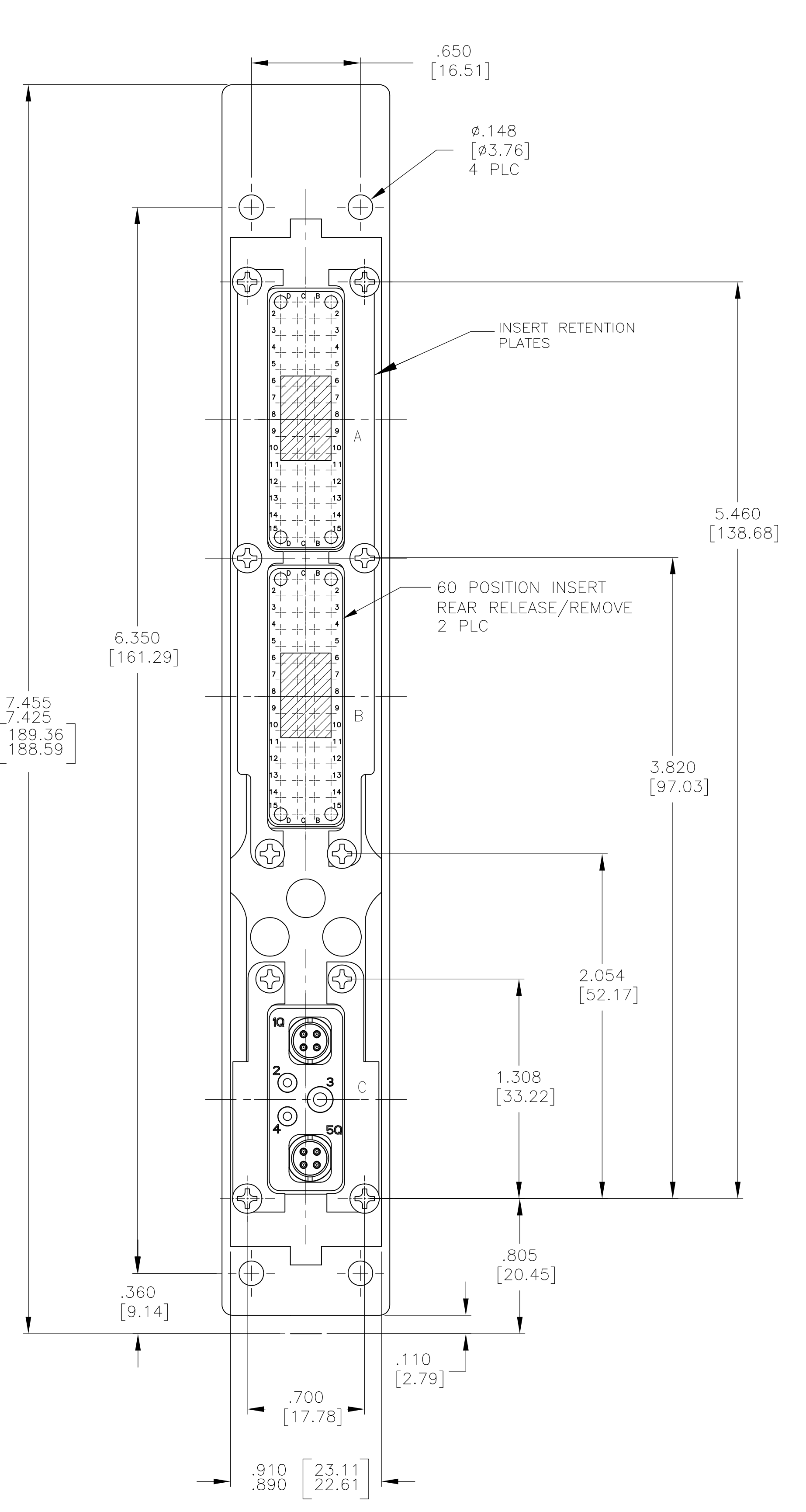
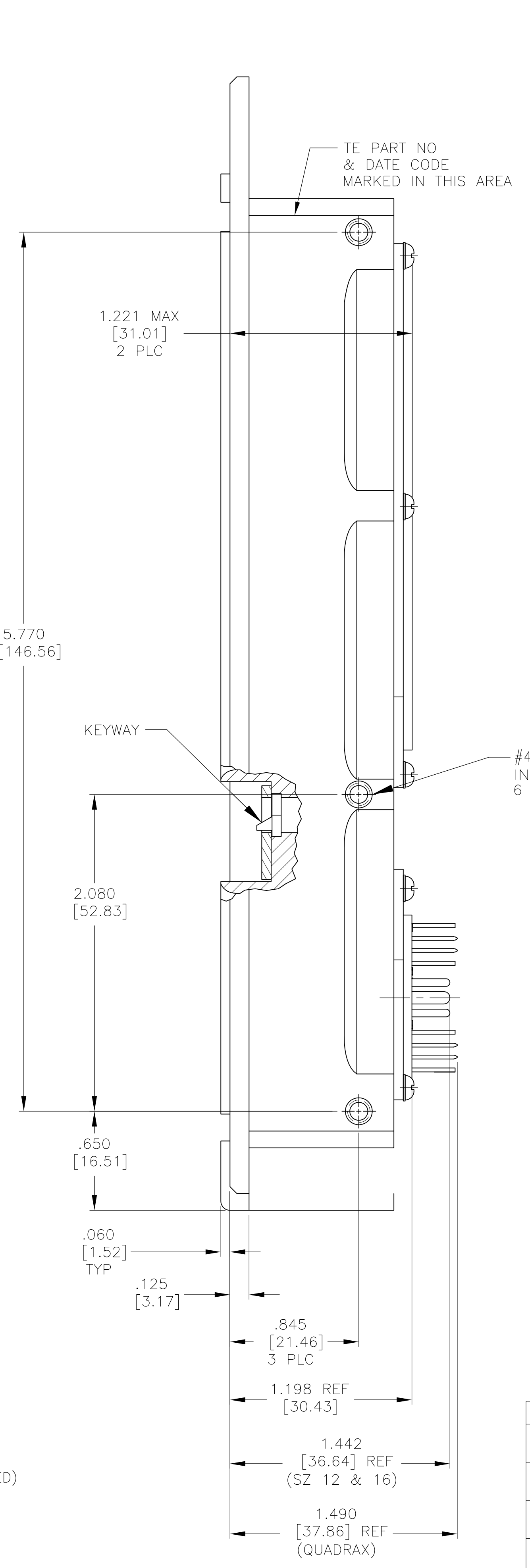
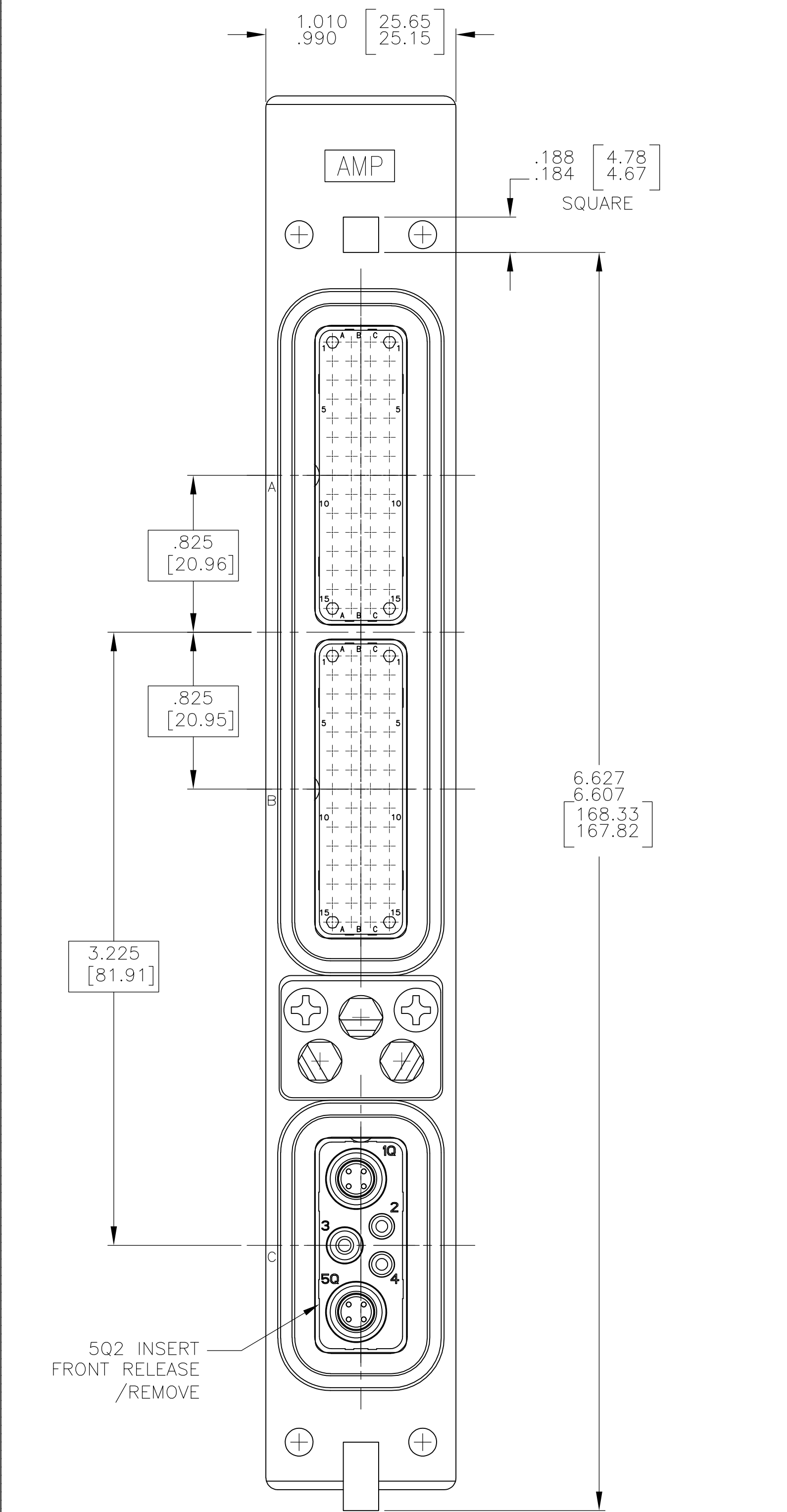
Tel: +86-755-8981 8866 Fax: +86-755-8427 6832

Email & Skype: info@chipsmall.com Web: www.chipsmall.com

Address: A1208, Overseas Decoration Building, #122 Zhenhua RD., Futian, Shenzhen, China



REVISONS		DATE	BY	APPV
P	LTR	DESCRIPTION		
C		REVISED PER ECO-15-011840	17NOV15	RS CT



- CONNECTOR DIMENSIONS ARE PER ARINC 600 SPECIFICATION
  - FOLLOWING CONTACTS ARE INCLUDED:  
 SIZE 22 CRIMP SOCKET CONTACT: TE P/N 208264-2; QTY: 120 (NOT LOADED)  
 SIZE 16 POSTED PIN CONTACT: TE P/N 1-448139-4; QTY: 2 (LOADED)  
 SIZE 12 POSTED PIN CONTACT: TE P/N 1-448140-8; QTY: 1 (LOADED)  
 SIZE 8 POSTED QUADRAX CONTACT: TE P/N 1445626-4; QTY: 2 (LOADED)
- 3 SEE TABLE FOR KEYING POSITION. FOR POSITION "00" KEYING SHIPPED UNASSEMBLED.

COMPONENT	MATERIAL	FINISH
SHELL	DIE CAST ALUMINUM PER ASTM-B-85	CHEMICAL CONVERSION COATING PER MIL-C-5541, CLASS 1A
RETENTION PLATES	ALUMINUM ALLOY PER ASTM-B-209	CHEMICAL CONVERSION COATING PER MIL-C-5541, CLASS 1A
SCREWS, LOCKWASHERS	STEEL OR STAINLESS STEEL	CHROMATE OVER ZINC OR PASSIVATED
POLARIZING KEYS	ZINC ALLOY PER ASTM-B-86	-
POLARIZING KEY RETAINING PLATE	ALUMINUM ALLOY PER ASTM-B-209	BLUE ANODIZED PER MIL-A-8625
INSERTS	THERMOSET	-

OBSOLETE	"08"	2157537-1
3 KEYING POSITION		PART NO.

THIS DRAWING IS A CONTROLLED DOCUMENT.

DIMENSIONS: INCHES	TOLERANCES UNLESS OTHERWISE SPECIFIED:	DIN C.C.THOMAS 4-19-11	APVD K.HOGAN 4-19-11	NAME RCPT ASSY, SIZE 1, ARINC 600 ARINC 600, (60/60/5Q2)
0 PLC ± -	1 PLC ± -	2 PLC ± -	3 PLC ± .005 [0.13]	APPLICATION SPEC
4 PLC ± -	ANGLES ± -	WEIGHT	SIZE A1	CAGE CODE 00779
MATERIAL SEE TABLE	FINISH SEE TABLE	CUSTOMER DRAWING	SCALE 2:1	SHEET 1 OF 1

STE TE Connectivity

RESTRICTED TO