



Chipsmall Limited consists of a professional team with an average of over 10 year of expertise in the distribution of electronic components. Based in Hongkong, we have already established firm and mutual-benefit business relationships with customers from,Europe,America and south Asia,supplying obsolete and hard-to-find components to meet their specific needs.

With the principle of “Quality Parts,Customers Priority,Honest Operation,and Considerate Service”,our business mainly focus on the distribution of electronic components. Line cards we deal with include Microchip,ALPS,ROHM,Xilinx,Pulse,ON,Everlight and Freescale. Main products comprise IC,Modules,Potentiometer,IC Socket,Relay,Connector.Our parts cover such applications as commercial,industrial, and automotives areas.

We are looking forward to setting up business relationship with you and hope to provide you with the best service and solution. Let us make a better world for our industry!



Contact us

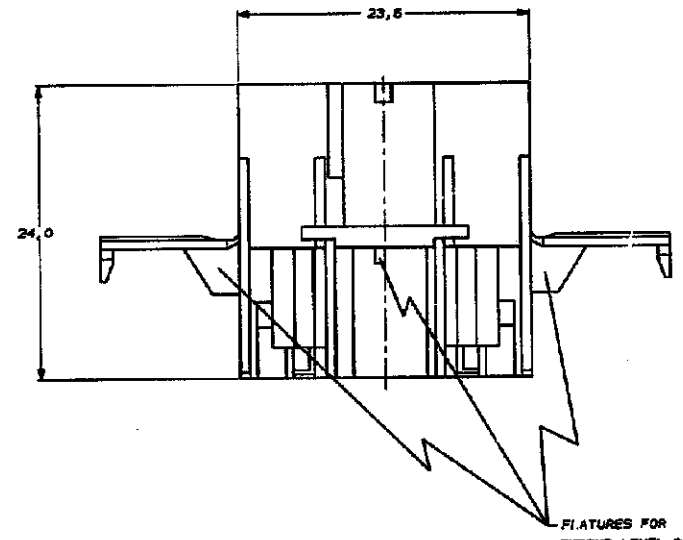
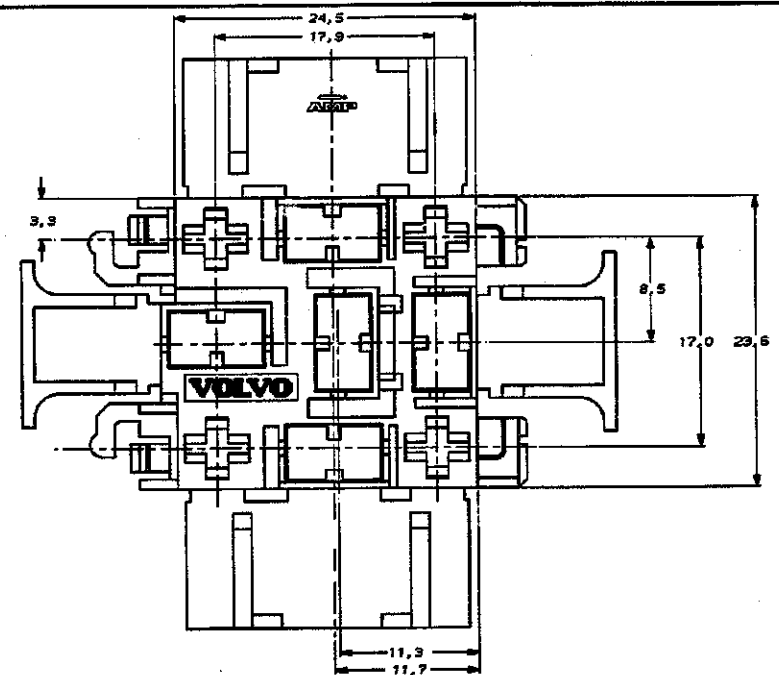
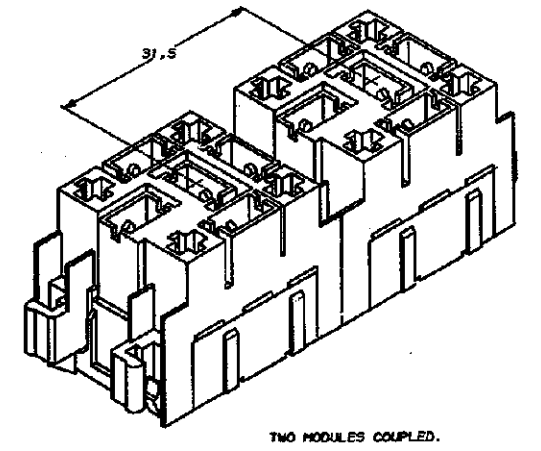
Tel: +86-755-8981 8866 Fax: +86-755-8427 6832

Email & Skype: info@chipsmall.com Web: www.chipsmall.com

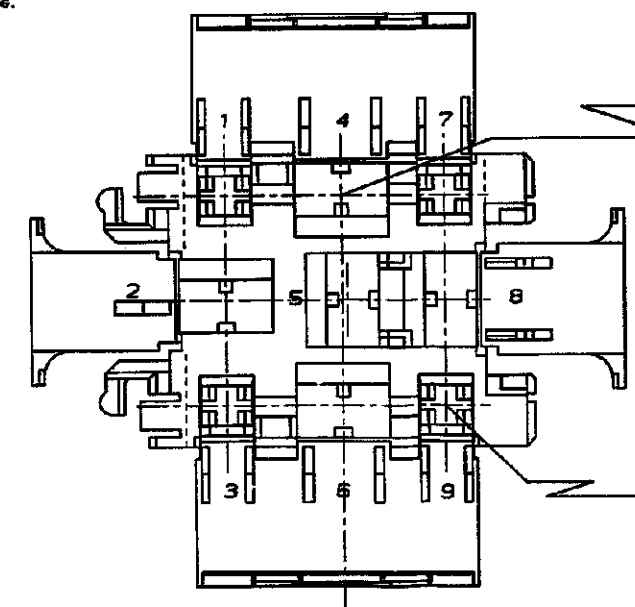
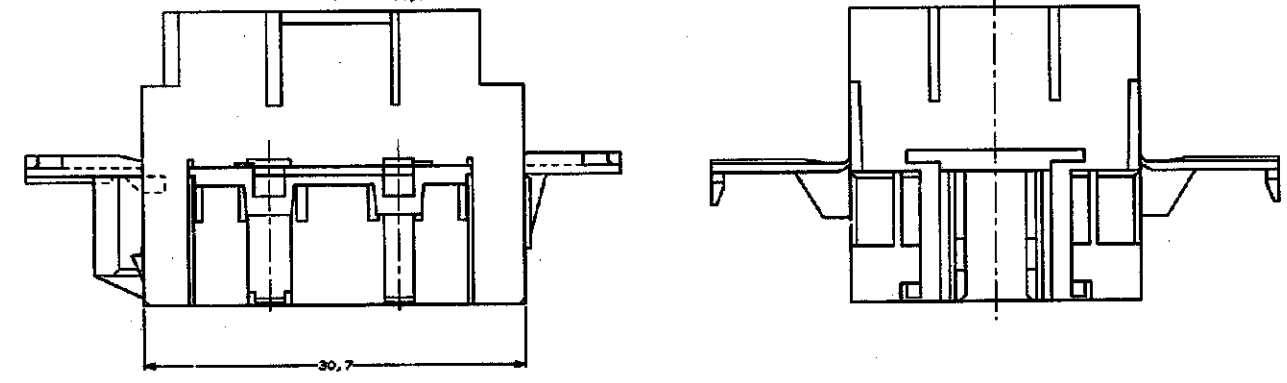
Address: A1208, Overseas Decoration Building, #122 Zhenhua RD., Futian, Shenzhen, China



DO NOT SCALE METRIC THIRD ANGLE DIMENSIONS IN MM PROJECTION



FEATURES FOR SECOND LEVEL CONTACT LOCKING.



CONTACT-CAVITY SUITABLE FOR POSITIVE LOCK CONTACTS.

CONTACT-CAVITY SUITABLE FOR JUNIOR TIMER AND JUNIOR POWER TIMER CONTACTS.

DOC. CENTRE
13 SEP. 1991

BLADE	PA-S	215754-3
YELLOW	PA-S	215754-4
RED	PA-S	215754-1
NATURAL	PA-S	215754-0
COLOR	MATERIAL	PART NUMBER
CUSTOMER DRAWING FOR REFERENCE ONLY		
ALL RIGHTS RESERVED. AMP PRODUCTS MAY BE REPRODUCED BY U.S. AND FOREIGN PATENTS PENDING.		
THIS DRAWING IS UNCLASSIFIED		
AMP-HOLLAND B.V. The Netherlands		
9 PDS. RELAYS MODULE		
D	H-9069	P.R. A.R. 07/88
REV.	REVISION RECORD	DR. CHK. DATE
DR. J. KLEIN	CHK. J. KLEIN	DATE: 04-08-87
DATE: 04-08-87	DATE: 04-08-87	DATE: 04-08-87
C-215754		D 1-1 A1

NOT A REVISION TEST