



Chipsmall Limited consists of a professional team with an average of over 10 year of expertise in the distribution of electronic components. Based in Hongkong, we have already established firm and mutual-benefit business relationships with customers from,Europe,America and south Asia,supplying obsolete and hard-to-find components to meet their specific needs.

With the principle of “Quality Parts,Customers Priority,Honest Operation,and Considerate Service”,our business mainly focus on the distribution of electronic components. Line cards we deal with include Microchip,ALPS,ROHM,Xilinx,Pulse,ON,Everlight and Freescale. Main products comprise IC,Modules,Potentiometer,IC Socket,Relay,Connector.Our parts cover such applications as commercial,industrial, and automotives areas.

We are looking forward to setting up business relationship with you and hope to provide you with the best service and solution. Let us make a better world for our industry!



Contact us

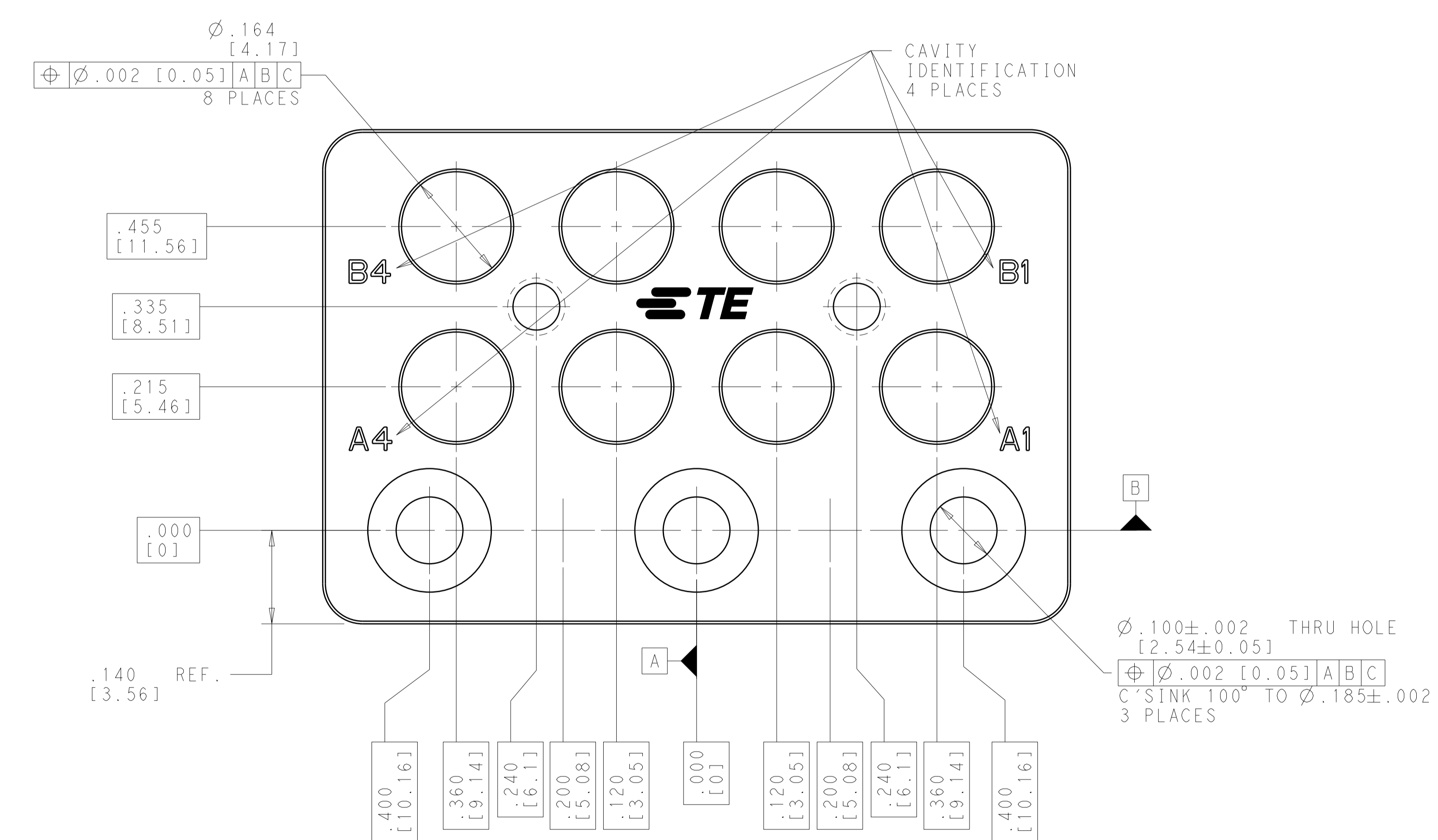
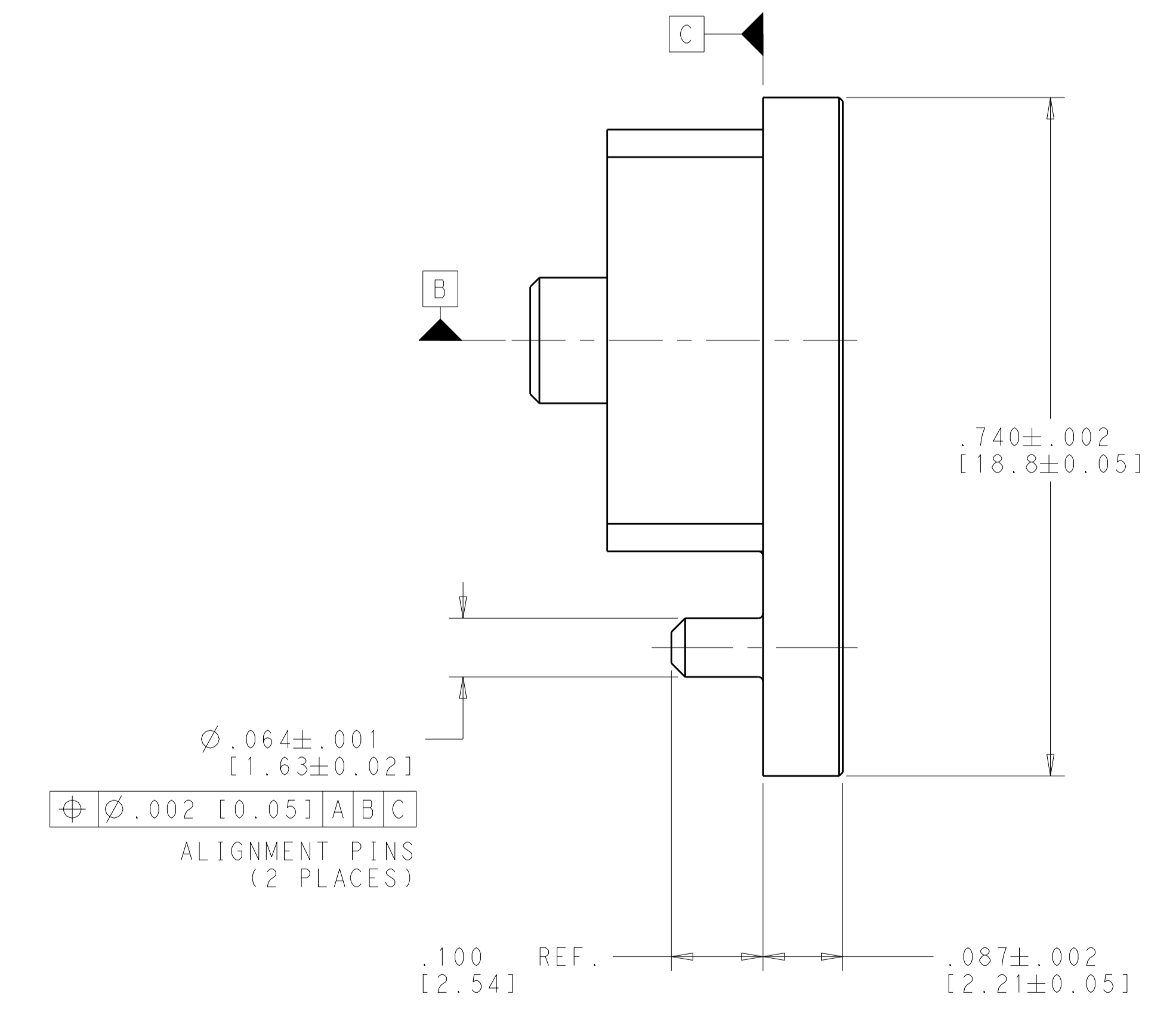
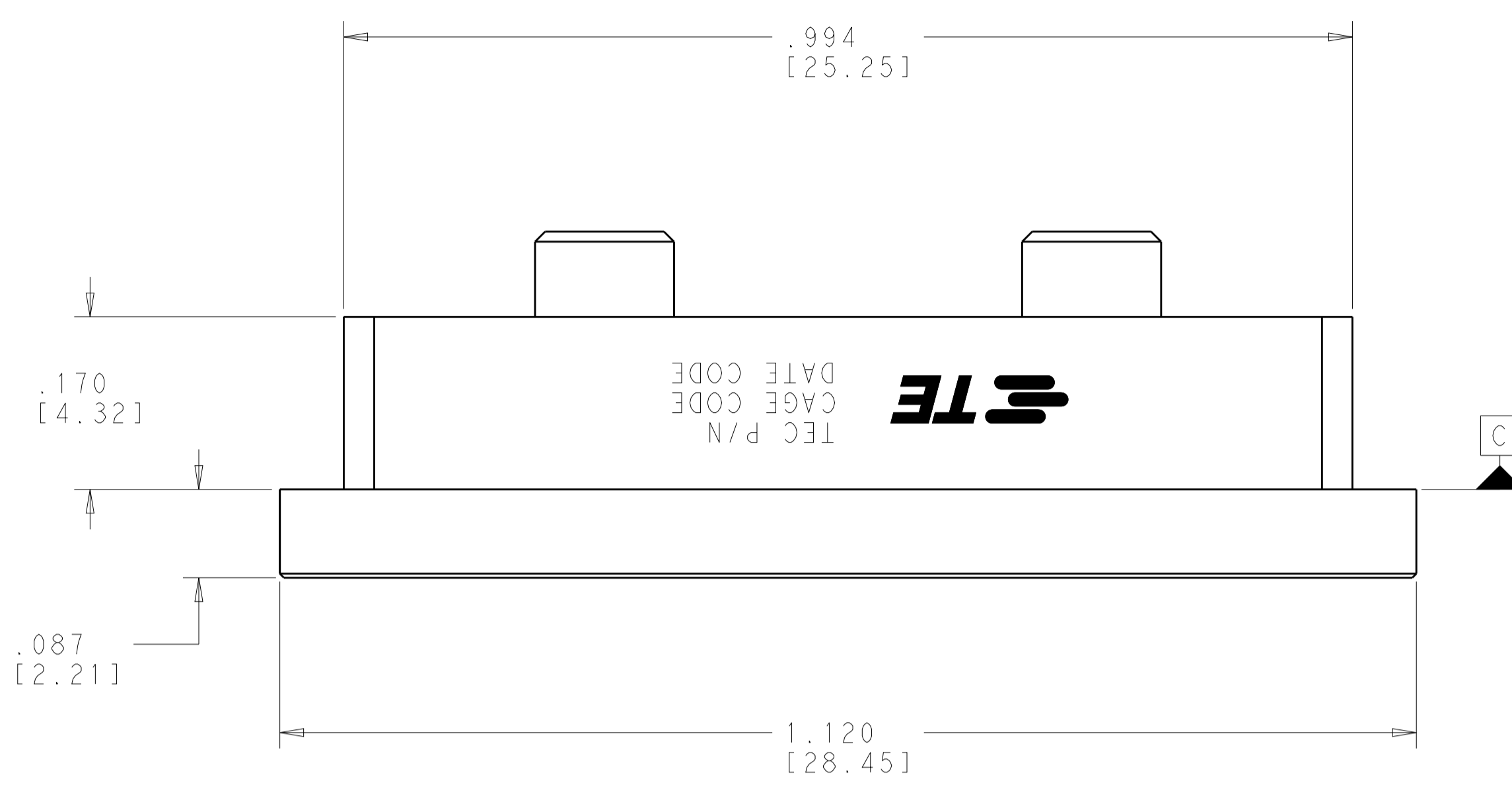
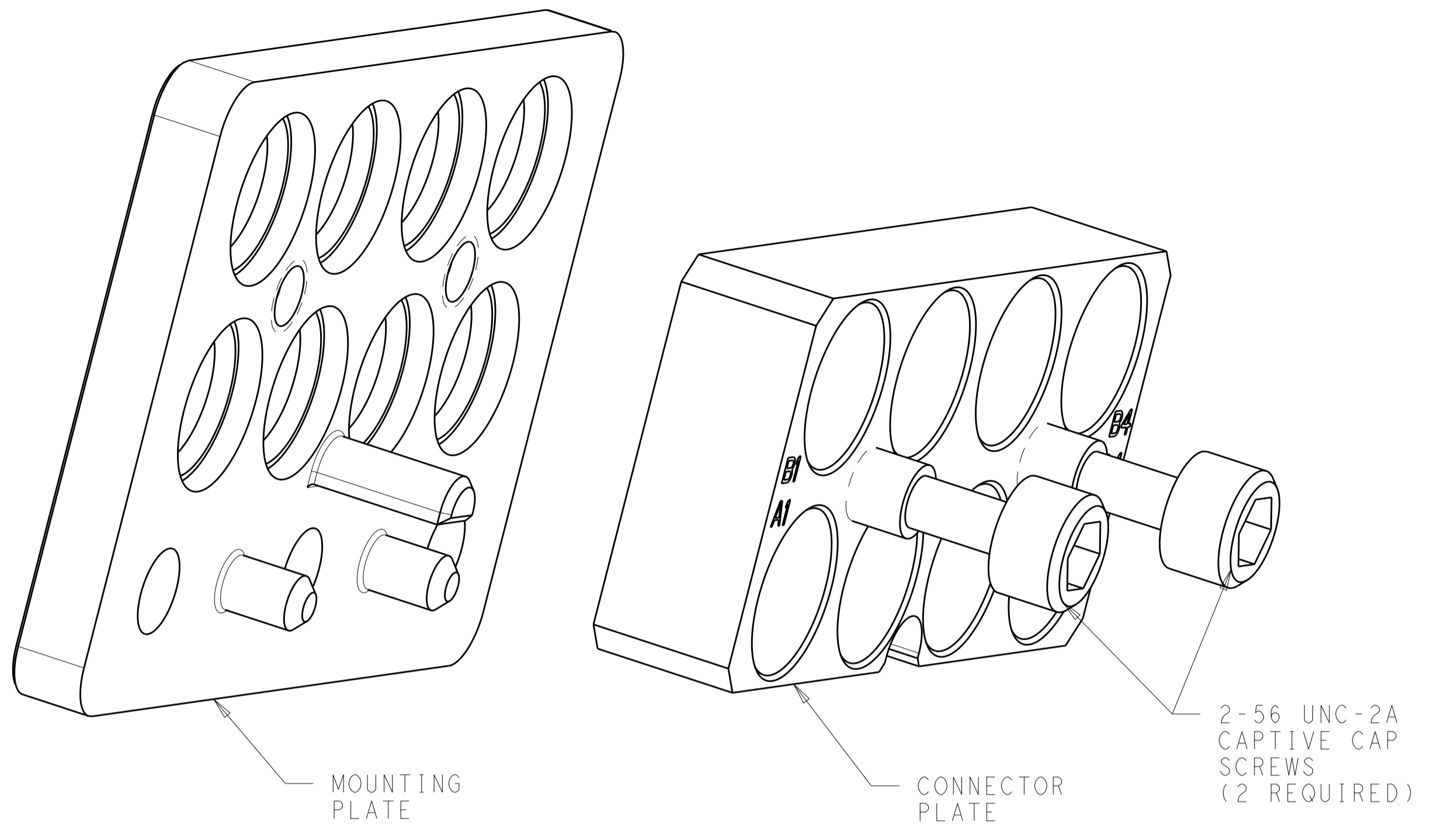
Tel: +86-755-8981 8866 Fax: +86-755-8427 6832

Email & Skype: info@chipsmall.com Web: www.chipsmall.com

Address: A1208, Overseas Decoration Building, #122 Zhenhua RD., Futian, Shenzhen, China



REVISIONS				
LOC	DIST	REV	DATE	BY
-	-	A	9-16-13	CT WM
DESCRIPTION				
RELEASED PER ECO 13-014393				
			STM	STM



⚠ MATERIAL:
 MOUNTING AND CONNECTOR PLATES - ALUMINUM ALLOY 6061-T6, PER ASTM B 221
 CAPTIVE CAP SCREWS - STAINLESS STEEL TYPE 18.8

⚠ FINISH:
 MOUNTING AND CONNECTOR PLATES - CLEAR TRIVALENT CHROMATE
 CONVERSION COATING PER MIL-DTL-5541F, CLASS 1A, TYPE II
 CAPTIVE CAP SCREWS - PASSIVATED

2157553-1
 PART NUMBER

THIS DRAWING IS A CONTROLLED DOCUMENT. DIMENSIONING AND TOLERANCING PER ASME Y14.5M-2009.		DWN: RJM3 25APR2011	TE Connectivity NAME: 8 POSITION RF BACKPLANE MODULE FOR REMOVABLE CONTACTS
DIMENSIONS: [INCHES(mm)]		CHK: S.T. Morley 25APR2011	
TOLERANCES UNLESS OTHERWISE SPECIFIED:		APVD: S.T. Morley 25APR2011	PRODUCT SPEC
0 PLC ±.1			APPLICATION SPEC
1 PLC ±.01			
2 PLC ±.002			
3 PLC ±.0005			
4 PLC ±.0005			
ANGLES ±.005			
FINISH		WEIGHT	RESTRICTED TO
MATERIAL		Customer Drawing	SCALE: 8:1 SHEET 1 OF 1 REV A