



Chipsmall Limited consists of a professional team with an average of over 10 year of expertise in the distribution of electronic components. Based in Hongkong, we have already established firm and mutual-benefit business relationships with customers from,Europe,America and south Asia,supplying obsolete and hard-to-find components to meet their specific needs.

With the principle of “Quality Parts,Customers Priority,Honest Operation,and Considerate Service”,our business mainly focus on the distribution of electronic components. Line cards we deal with include Microchip,ALPS,ROHM,Xilinx,Pulse,ON,Everlight and Freescale. Main products comprise IC,Modules,Potentiometer,IC Socket,Relay,Connector.Our parts cover such applications as commercial,industrial, and automotives areas.

We are looking forward to setting up business relationship with you and hope to provide you with the best service and solution. Let us make a better world for our industry!



Contact us

Tel: +86-755-8981 8866 Fax: +86-755-8427 6832

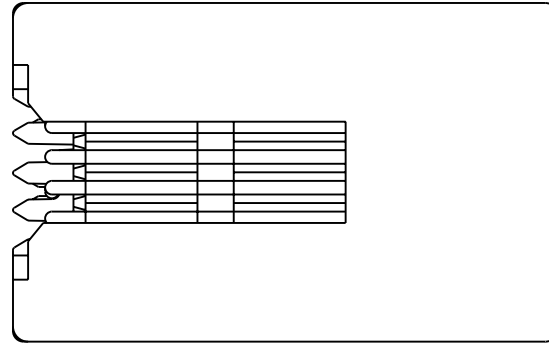
Email & Skype: info@chipsmall.com Web: www.chipsmall.com

Address: A1208, Overseas Decoration Building, #122 Zhenhua RD., Futian, Shenzhen, China



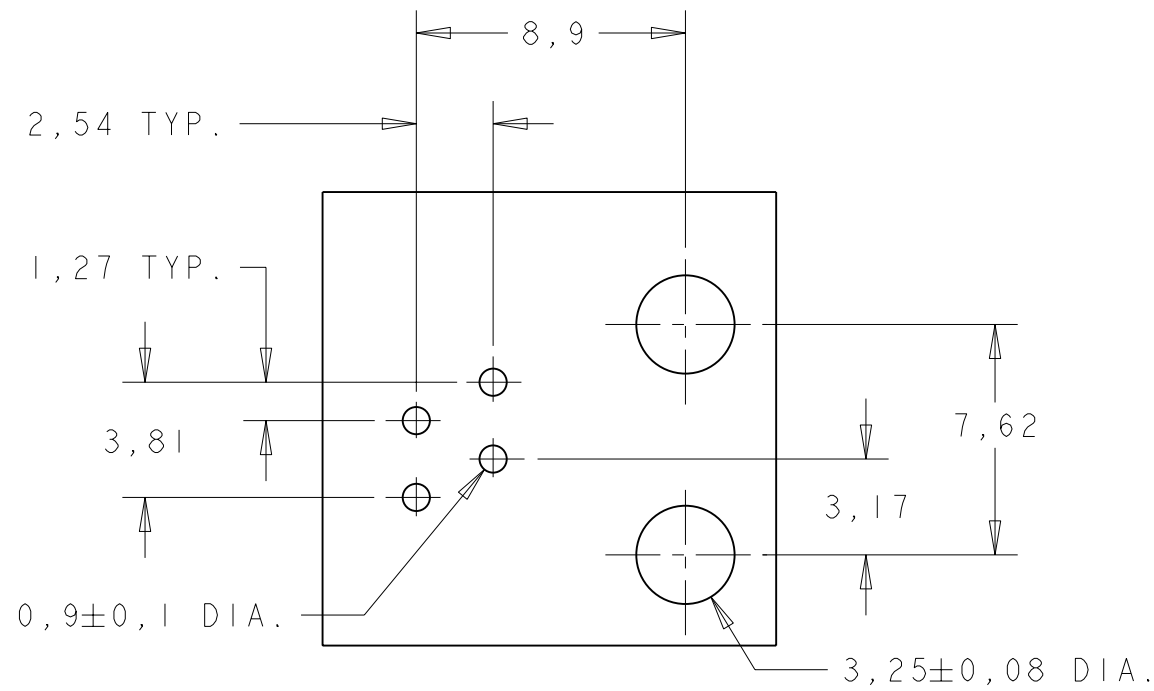
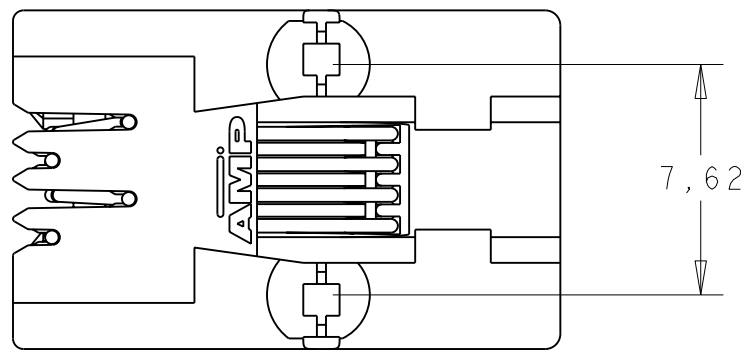
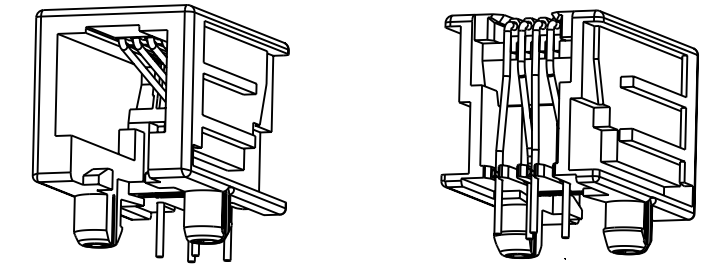
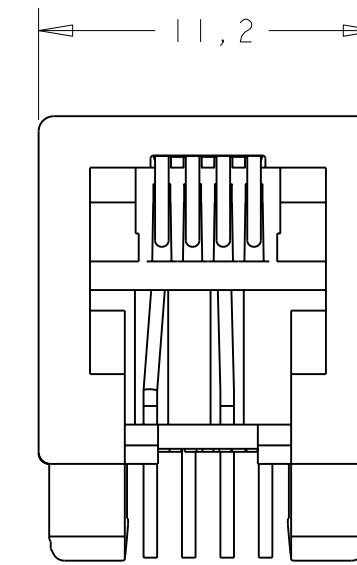
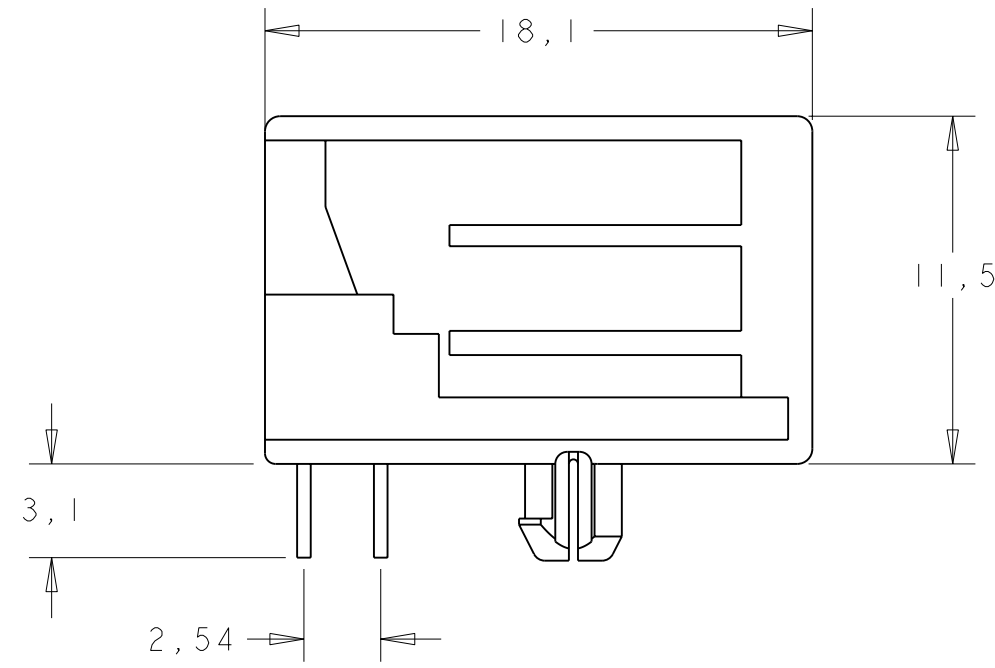
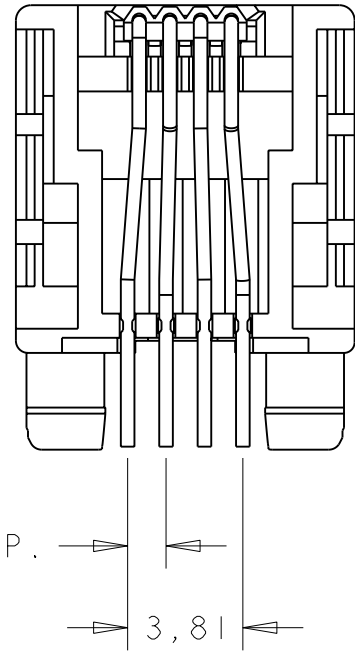
THIS DRAWING IS UNPUBLISHED. RELEASED FOR PUBLICATION
 © COPYRIGHT copyright_date ALL RIGHTS RESERVED.

LOC	DIST	REVISIONS					
		P	LTR	DESCRIPTION	DATE	DWN	APVD
1R	-		U	ECR-05-012760	1-OCT-05	-	JB
			V	ECR-10-020218	28DEC2010	PS	RRP
			-	-	-	-	-
			-	-	-	-	-



NOTES:

- 1 TOLERANCE UNLESS OTHERWISE SPECIFIED: 0,15.
- 2 BULK PACKAGING: TRUE POSITIONING OF THE SOLDER TINES IS NOT GUARANTEED.
- 3 SUPERSEDED BY 1-215876-3



PRINTED CIRCUIT BOARD LAYOUT

(VIEW SHOWN IS CIRCUIT (NON-COMPONENT) SIDE OF BOARD.)
 PRINTED CIRCUIT BOARD THICKNESS: 1,6mm NOMINAL.
 TOLERANCE UNLESS OTHERWISE SPECIFIED: ±0,05.

OVERALL: Ni 1.27µm MIN. ALL OVER THE CONTACTS SOLDER ZONE: Sn 2.5µm MIN. ON THE SOLDER ZONE OF THE CONTACT MATING ZONE: PLATING CONFIRMS TO PRODUCT REQUIREMENTS AS PER SPECIFICATION 108-19064	HOUSING, COLOR BLACK: PBT 20% GF, UL 94V-0 CONTACT INSERT: PBT, UL 94V-0 CONTACTS: PH, BRONZE	290 PCS IN A TRAY 1-215875-3	50 PCS IN A TUBE (SEE SHEET 2) 3-215875-3	BULK PACKAGED IN A BOX 2-215875-1	126 PIECES IN MULTI-TUBE 1-215875-1	TAPE MOUNTED 1000pcs./reel 215875-1
FINISH	MATERIAL	PACKAGING	PARTNUMBER			

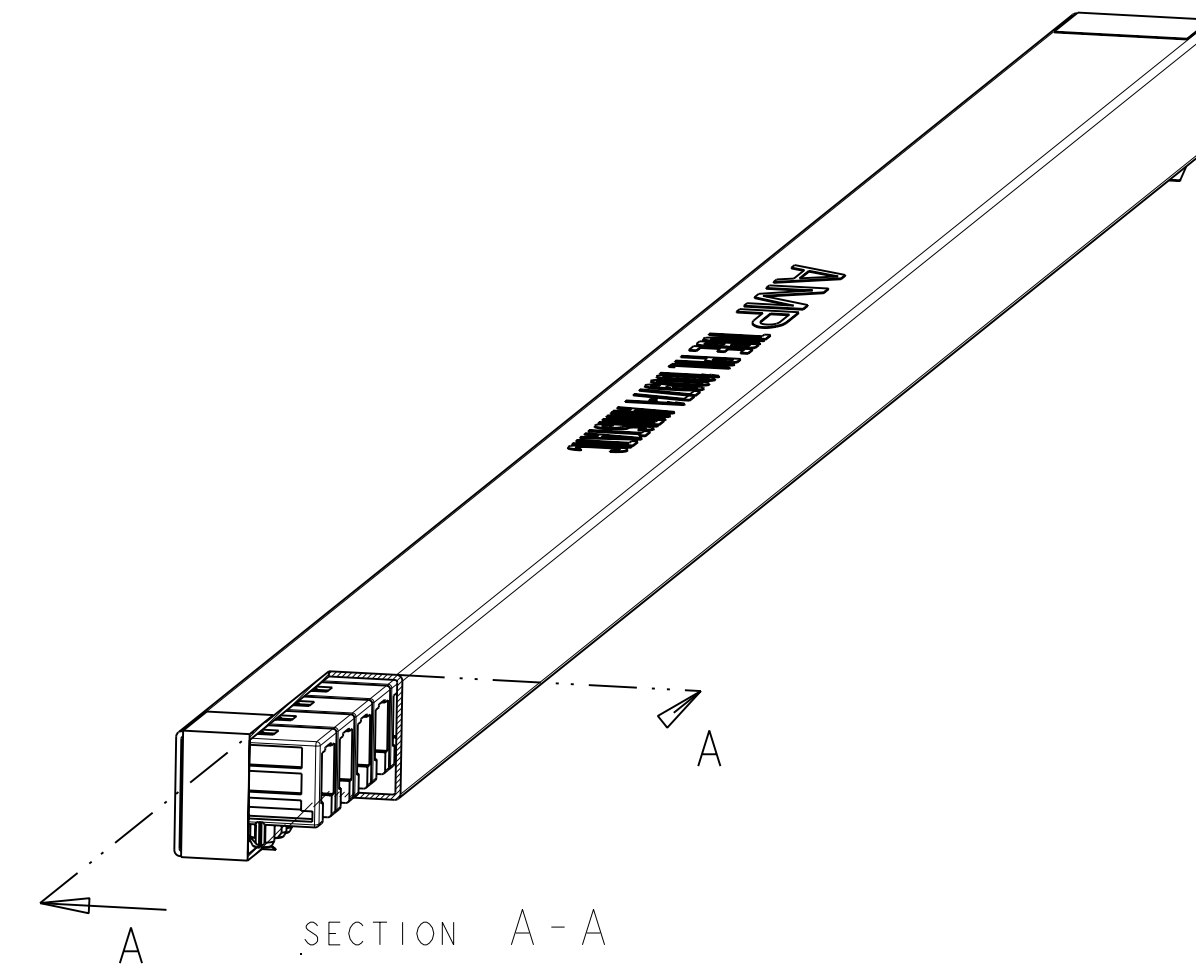
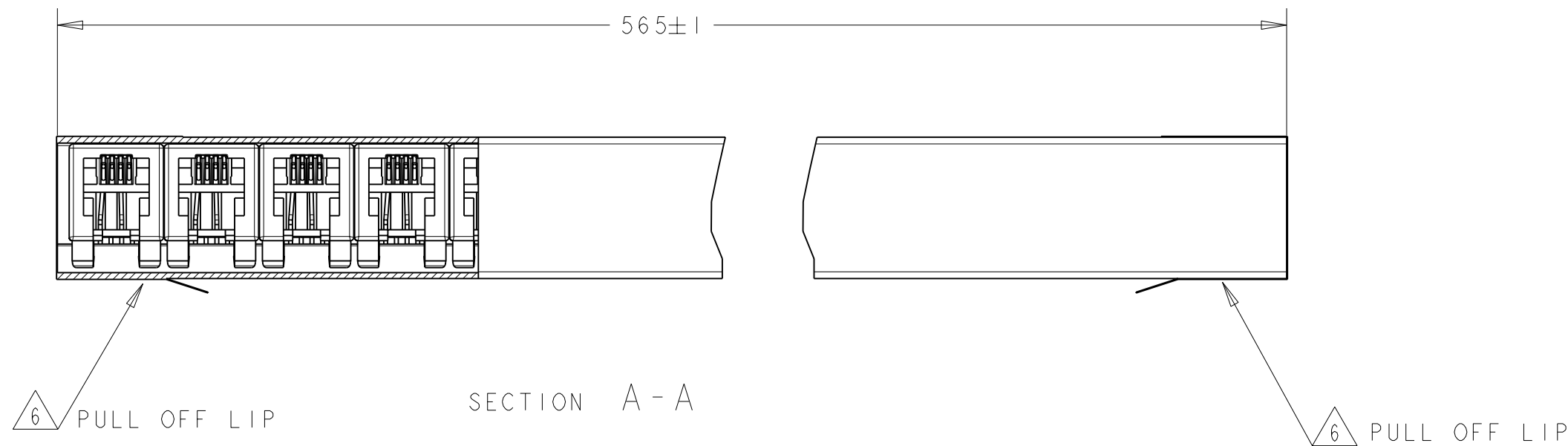
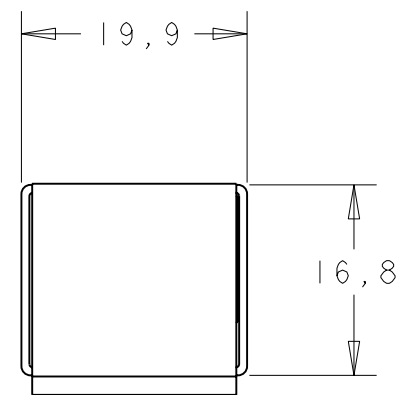
THIS DRAWING IS A CONTROLLED DOCUMENT.		DWN E.v.EIJK	TE Connectivity NAME: MODULAR JACK SIDE ENTRY 4/4 FOR PRINTED CIRCUIT BOARD			
DIMENSIONS: mm		CHK M.v.EJSEN				
TOLERANCES UNLESS OTHERWISE SPECIFIED:		APVD R.SMEETS				
0 PLC ± 1 PLC ± 2 PLC ± 3 PLC ± 4 PLC ± ANGLES ± FINISH		PRODUCT SPEC 108-19064 APPLICATION SPEC 114-19019 WEIGHT - CUSTOMER DRAWING				
MATERIAL		SCALE 4:1	SIZE A2	CAGE CODE 0779	DRAWING NO. 215875	RESTRICTED TO
		SHEET 1	OF 2	REV V		


THIS DRAWING IS UNPUBLISHED. RELEASED FOR PUBLICATION
 © COPYRIGHT copyright_date ALL RIGHTS RESERVED.

LOC	DIST	REVISIONS					
		P	LTR	DESCRIPTION	DATE	DWN	APVD
IR	-	-	-	SEE SHEET 1	-	-	-
		-	-		-	-	-
		-	-		-	-	-
		-	-		-	-	-

NOTES:

- 5 TUBE IS TRANSPARANT PVC.
- 6 TUBE IS CLOSED AT BOTH ENDS BY A TAPE.



THIS DRAWING IS A CONTROLLED DOCUMENT.		DWN E.v.EIJK	 TE Connectivity	
DIMENSIONS: mm		CHK M.v.ESSEN		
TOLERANCES UNLESS OTHERWISE SPECIFIED:		APVD R.SMEETS	NAME MODULAR JACK SIDE ENTRY 4/4 FOR PRINTED CIRCUIT BOARD	
0 PLC ±		PRODUCT SPEC 108-19064	SIZE	CAGE CODE
1 PLC ±		APPLICATION SPEC 114-19019	DRAWING NO A20779C-215875	
2 PLC ±		WEIGHT	RESTRICTED TO	
3 PLC ±			-	
4 PLC ±				
ANGLES ±				
FINISH				
MATERIAL		CUSTOMER DRAWING		SCALE 4:1
				SHEET 2 OF 2
				REV V