



Chipsmall Limited consists of a professional team with an average of over 10 year of expertise in the distribution of electronic components. Based in Hongkong, we have already established firm and mutual-benefit business relationships with customers from,Europe,America and south Asia,supplying obsolete and hard-to-find components to meet their specific needs.

With the principle of "Quality Parts,Customers Priority,Honest Operation,and Considerate Service",our business mainly focus on the distribution of electronic components. Line cards we deal with include Microchip,ALPS,ROHM,Xilinx,Pulse,ON,Everlight and Freescale. Main products comprise IC,Modules,Potentiometer,IC Socket,Relay,Connector.Our parts cover such applications as commercial,industrial, and automotives areas.

We are looking forward to setting up business relationship with you and hope to provide you with the best service and solution. Let us make a better world for our industry!



Contact us

Tel: +86-755-8981 8866 Fax: +86-755-8427 6832

Email & Skype: info@chipsmall.com Web: www.chipsmall.com

Address: A1208, Overseas Decoration Building, #122 Zhenhua RD., Futian, Shenzhen, China

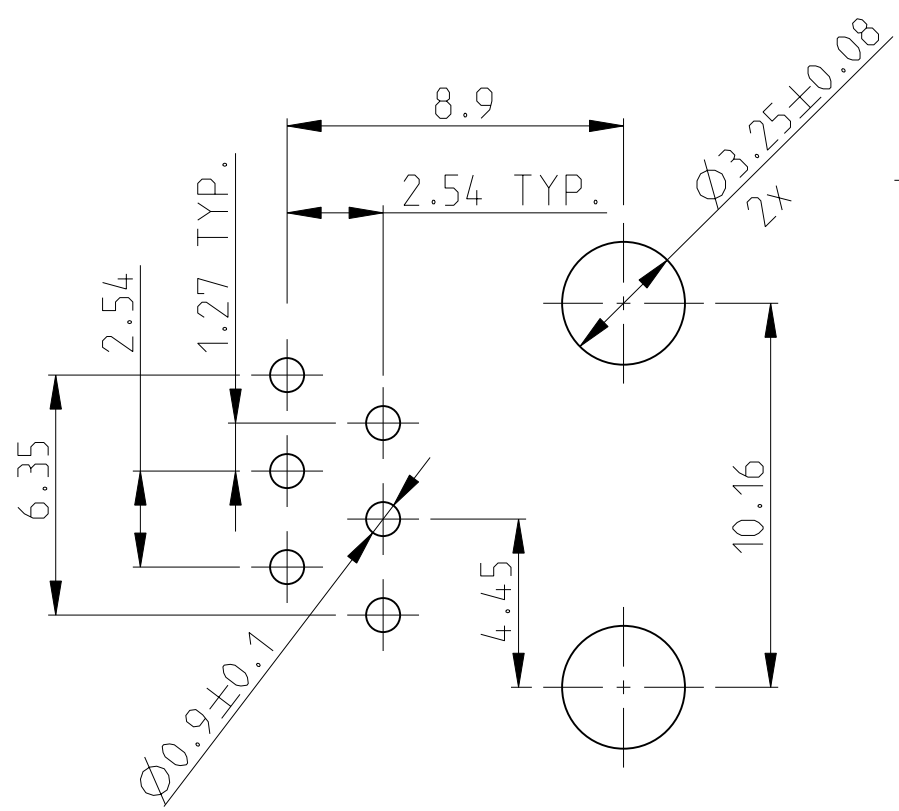
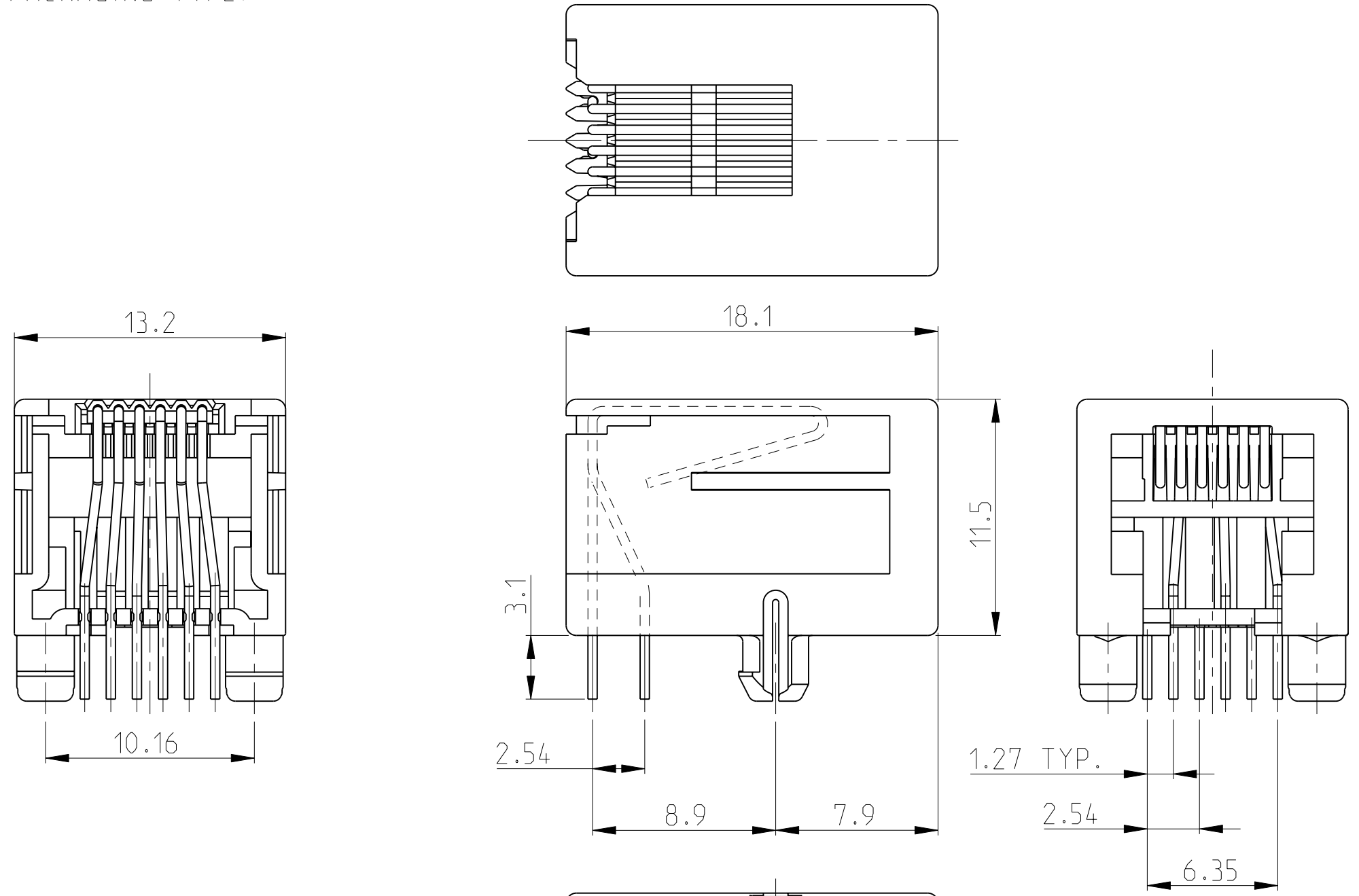
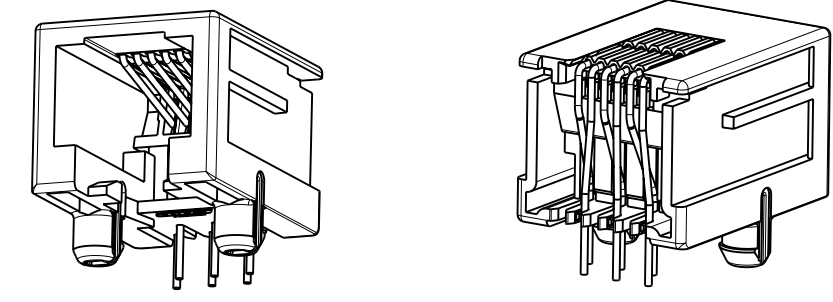


THIS DRAWING IS UNPUBLISHED. RELEASED FOR PUBLICATION 2000
 © COPYRIGHT 2000 ALL RIGHTS RESERVED.

LOC	DIST	REVISIONS					
IR	-	P	LTR	DESCRIPTION	DATE	DWN	APVD
		AA		ECR-10-020218	28DEC2010	PS	RRP
		AA1		ECR-10-026537	08AUG11	KK	HMR

- SEE SHEET 2 FOR MODULAR JACK 6 POS./4 CONTACTS
- FOR APPLICATION INFORMATION SEE SPEC. 114-19019.
- FOR PERFORMANCE REQUIREMENTS SEE SPEC. 108-19064.
- TOLERANCES UNLESS OTHERWISE SPECIFIED: ± 0,15mm.

⚠ TRUE POSITIONING WILL NOT BE GUARANTEED USING THIS PACKAGING TYPE.



PRINTED CIRCUIT BOARD LAYOUT (6 POS./6 CONTACTS)
 [VIEW SHOWN IS CIRCUIT (NON-COMPONENT) SIDE OF BOARD]
 PRINTED CIRCUIT BOARD THICKNESS: 1,6mm NOMINAL.
 TOLERANCES UNLESS OTHERWISE SPECIFIED: ± 0,05

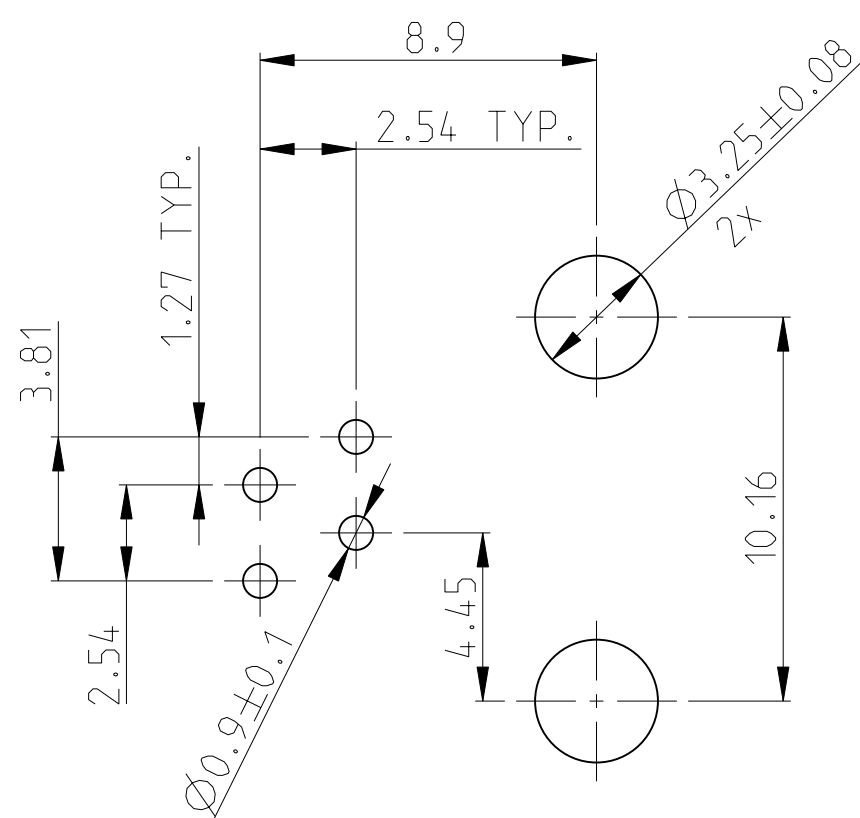
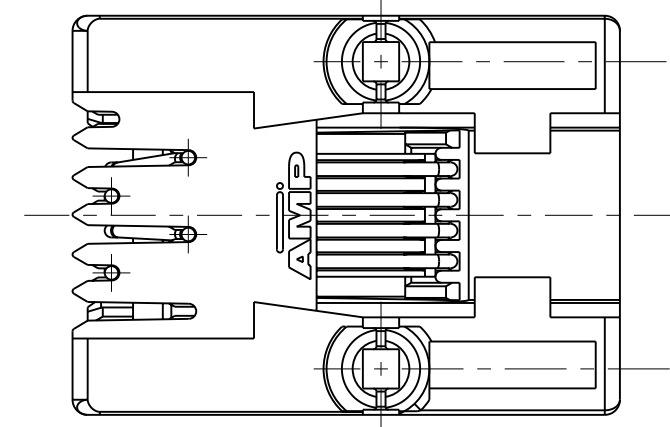
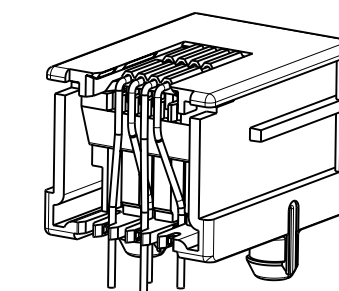
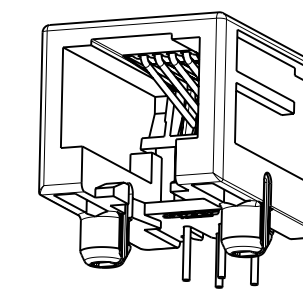
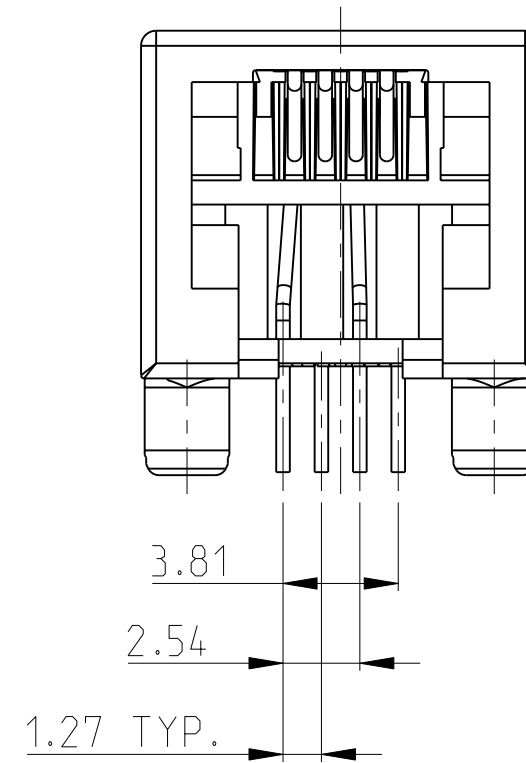
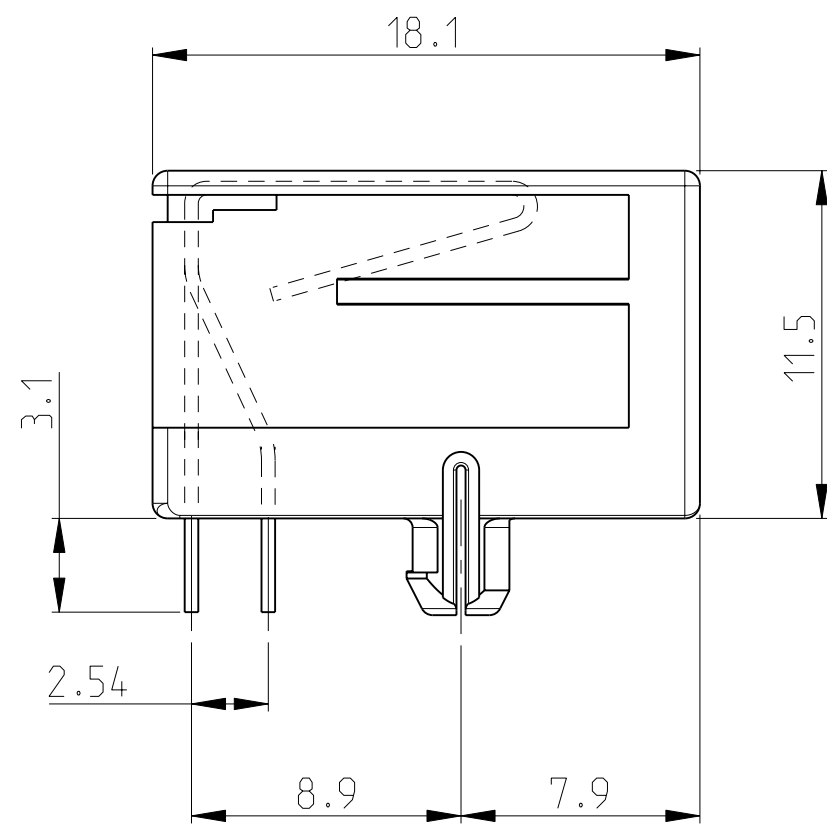
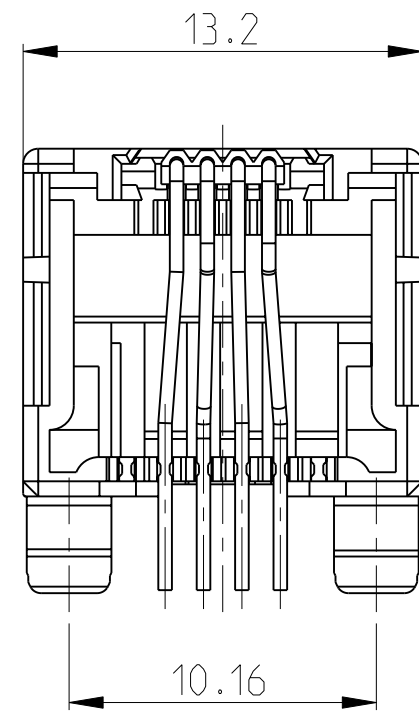
PACKAGING	REMARKS	FINISH	MATERIAL	P/N
TAPE MOUNTED 800 PCS/REEL			HOUSING COLOR BLACK	2-215876-3
BULK PACKED 1000 PCS IN A BOX ⚠			HOUSING AND CONTACT INSERT: UL 94-V0	2-215876-1
240 PIECES IN A TRAY	6 POS./ 6 CONTACTS	OVERALL: Ni 1.27 µm MIN. ALL OVER THE CONTACTS	HOUSING PA 4.6 CONTACT INSERT: PCT	OBSOLETE 2-215876-0
BULK PACKED 1000 PCS IN A BOX ⚠		SOLDER ZONE: Sn 2.5 µm MIN. ON THE SOLDER ZONE OF THE CONTACT	HOUSING COLOR BLACK PBT, UL 94 V-0	3-215876-1
240 PIECES IN A TRAY		MATING ZONE: PLATING CONFIRMS TO PRODUCT REQUIREMENTS AS PER SPECIFICATION 108-19064	CONTACT INSERT: PBT, UL 94 V-0	1-215876-3
108 PCS IN A MULTI-TUBE	SUPERSEDED BY 1-215876-3		CONTACTS: PH-BRONZE	1-215876-4
TAPE MOUNTED 800 PCS/REEL	6 POS./ 6 CONTACTS			215876-1

THIS DRAWING IS A CONTROLLED DOCUMENT.		DWN G.CONSTANT 24 SEP 96	TE Connectivity	
		CHK G.CONSTANT 24 SEP 96		
DIMENSIONS: mm		APVD R.SMEETS	NAME MODULAR JACK, SIDE ENTRY, 6/6 FOR PRINTED CIRCUIT BOARD	
TOLERANCES UNLESS OTHERWISE SPECIFIED:		PRODUCT SPEC 108-19064	SIZE A2	
0 PLC ±		APPLICATION SPEC 114-19019	CAGE CODE -	
1 PLC ±		WEIGHT -	DRAWING NO C-215876	
2 PLC ±		RESTRICTED TO -		
3 PLC ±		SCALE 4:1		
4 PLC ±		SHEET 1 OF 4		
ANGLES ±		REV AA1		
FINISH -		CUSTOMER DRAWING		

THIS DRAWING IS UNPUBLISHED. RELEASED FOR PUBLICATION 2000
 © COPYRIGHT 2000 ALL RIGHTS RESERVED.

LOC	DIST	REVISIONS					
IR	-	P	LTR	DESCRIPTION	DATE	DWN	APVD
		-		SEE SHEET 1	-	-	-

- 1 SEE SHEET 1 FOR MODULAR JACK 6 POS./6 CONTACTS.
- 2 FOR APPLICATION INFORMATION SEE SPEC. 114-19019.
- 3 FOR PERFORMANCE REQUIREMENT SEE SPEC. 108-19064.
- 4 TOLERANCES UNLESS OTHERWISE SPECIFIED: $\pm 0,15$.



PRINTED CIRCUIT BOARD LAYOUT (6 POS./4 CONTACT)

[VIEW SHOWN IS CIRCUIT (NON-COMPONENT) SIDE OF BOARD]
 PRINTED CIRCUIT BOARD THICKNESS: 1,6mm NOMINAL.
 TOLERANCES UNLESS OTHERWISE SPECIFIED: $\pm 0,05$.

TAPE MOUNTED 800 PCS/REEL	6 POS./ 4 CONTACTS	OVERALL: Ni 1.27 μ m MIN. ALL OVER THE CONTACTS SOLDER ZONE: Sn 2.5 μ m MIN. ON THE SOLDER ZONE OF THE CONTACT MATING ZONE: PLATING CONFIRMS TO PRODUCT REQUIREMENTS AS PER SPECIFICATION 108-19064	HOUSING COLOR BLACK: PBT, UL 94 V-0 CONTACT INSERT: PBT, UL 94 V-0 CONTACTS: Ph-BRONZE	215876-2
	SUPERSEDED BY 215876-2			1-215876-2
PACKAGING	REMARKS	FINISH	MATERIAL	P/N

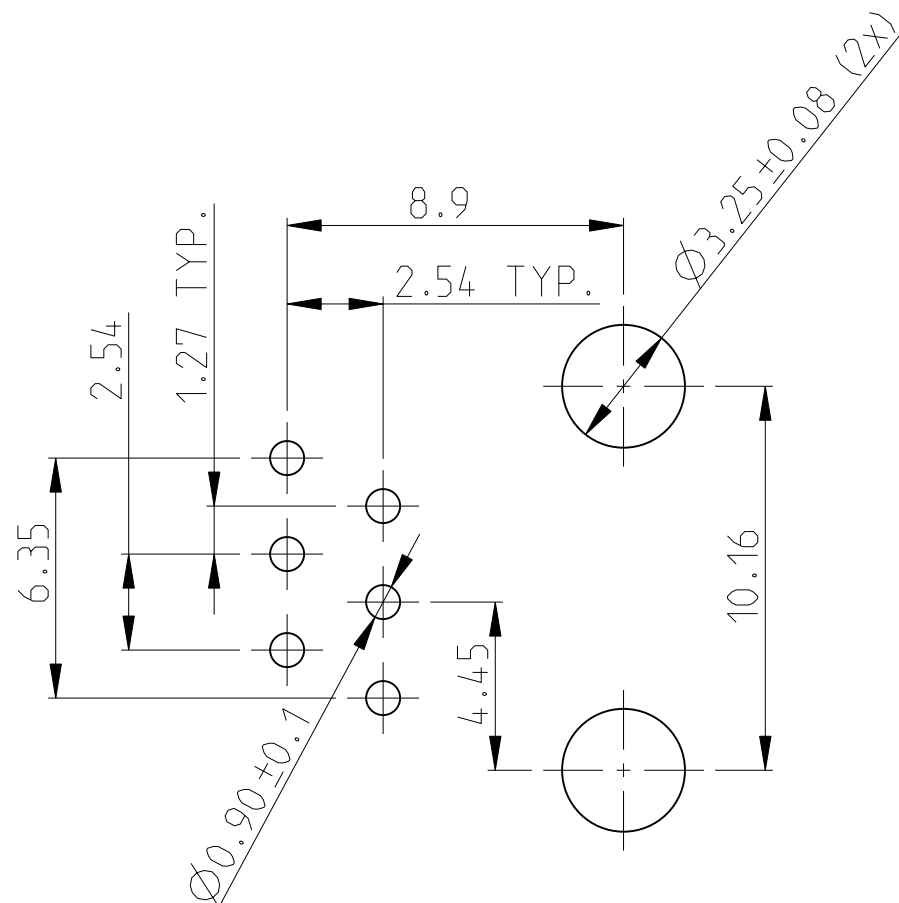
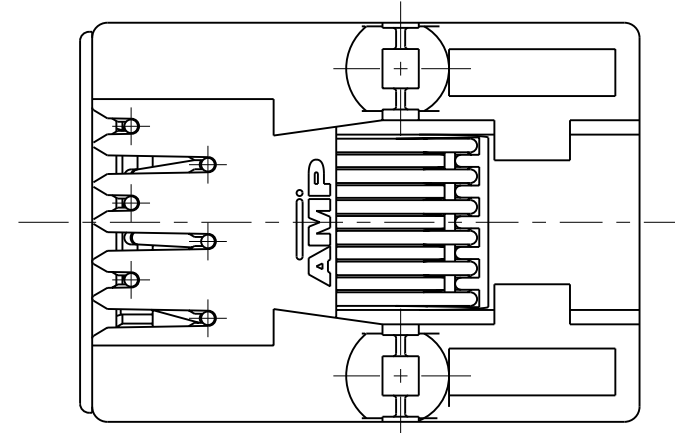
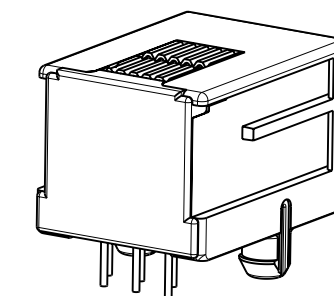
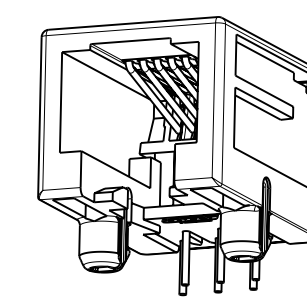
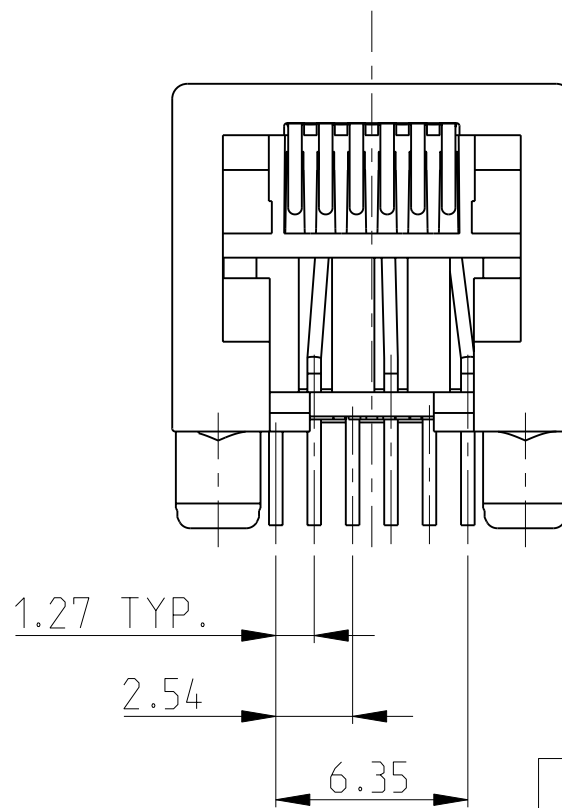
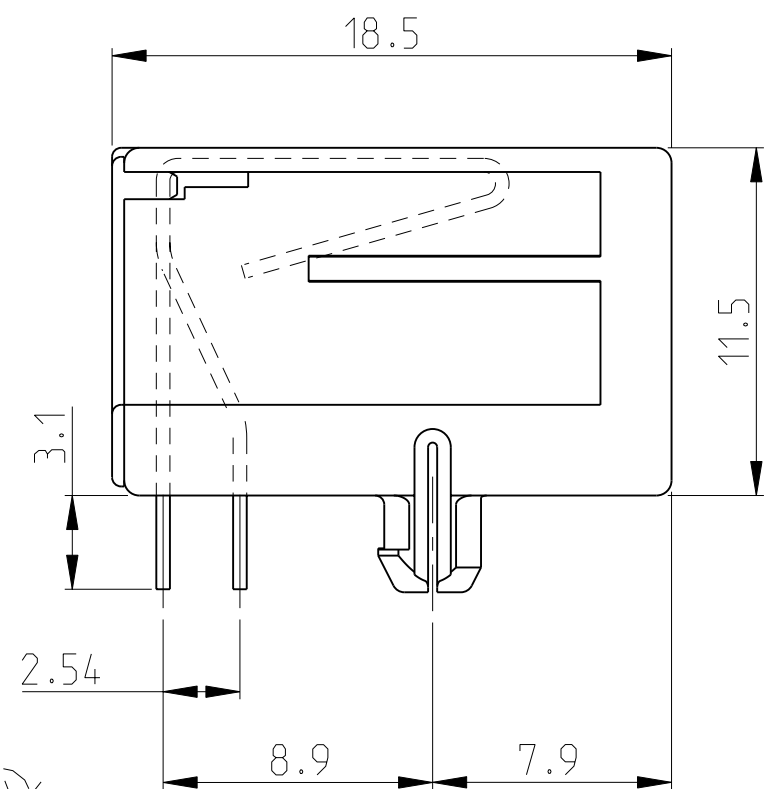
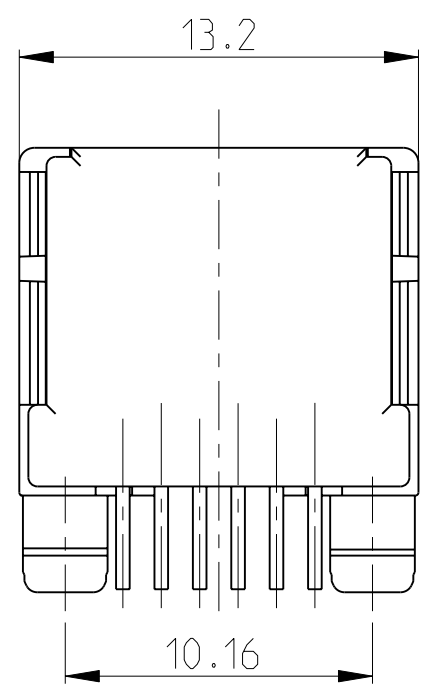
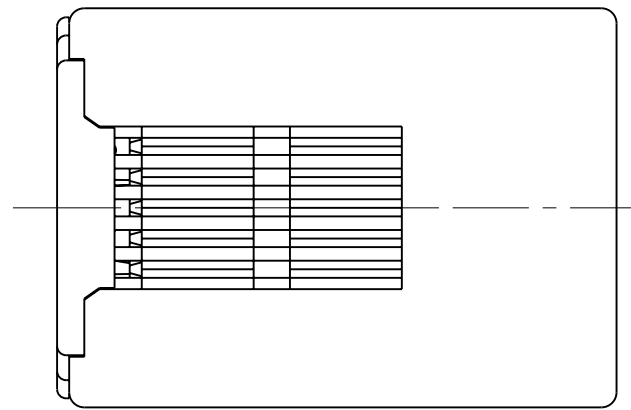
THIS DRAWING IS A CONTROLLED DOCUMENT.		DWN G.CONSTANT 24 SEP 96	TE Connectivity	
		CHK G.CONSTANT 24 SEP 96		
DIMENSIONS: mm		APVD R.SMEETS -	NAME MODULAR JACK, SIDE ENTRY, 6/4 FOR PRINTED CIRCUIT BOARD	
TOLERANCES UNLESS OTHERWISE SPECIFIED:		PRODUCT SPEC 108-19064	SIZE A2	
0 PLC \pm		APPLICATION SPEC 114-19019	CAGE CODE -	
1 PLC \pm		WEIGHT -	DRAWING NO C-215876	
2 PLC \pm			RESTRICTED TO -	
3 PLC \pm			SCALE 4:1	
4 PLC \pm			SHEET 2 OF 4	
ANGLES \pm			REV AA1	
FINISH -			CUSTOMER DRAWING	

THIS DRAWING IS UNPUBLISHED. RELEASED FOR PUBLICATION 2000
 © COPYRIGHT 2000 ALL RIGHTS RESERVED.

LOC	DIST	REVISIONS			
P	LTR	DESCRIPTION	DATE	DWN	APVD
-	-	SEE SHEET 1	-	-	-
-	-				

- SEE SHEET 4 FOR MODULAR JACK 6 POS./4 CONTACTS WITH CONTACT COVER.
- FOR APPLICATION INFORMATION SEE SPEC. 114-19019.
- FOR PERFORMANCE REQUIREMENTS SEE SPEC. 108-19064.
- TOLERANCES UNLESS OTHERWISE SPECIFIED: ± 0,15mm.

TRUE POSITIONING WILL NOT BE GUARANTEED USING THIS PACKAGING TYPE.



PRINTED CIRCUIT BOARD LAYOUT (6 POS./6 CONTACTS)

[VIEW SHOWN IS CIRCUIT (NON-COMPONENT) SIDE OF BOARD]
 PRINTED CIRCUIT BOARD THICKNESS: 1,6mm NOMINAL.
 TOLERANCES UNLESS OTHERWISE SPECIFIED: ± 0,05

OBSOLETE

OBSOLETE

OBSOLETE

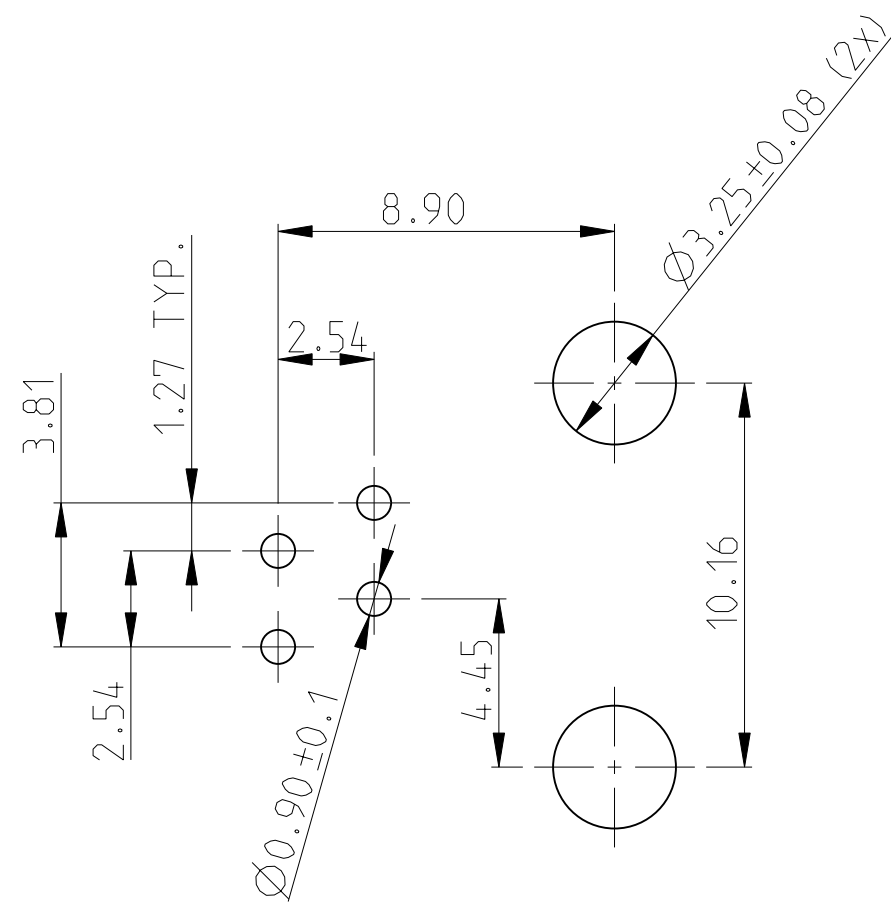
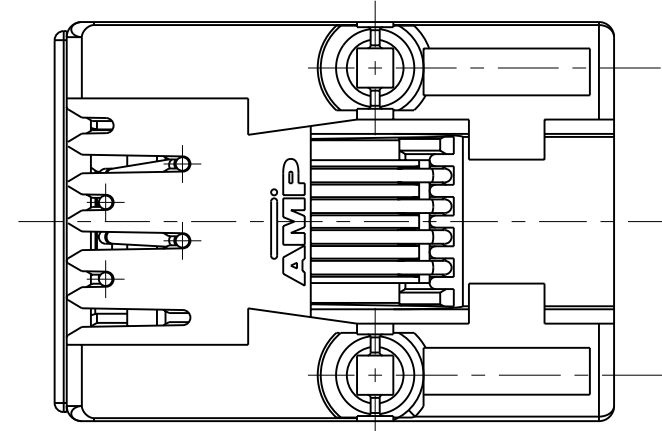
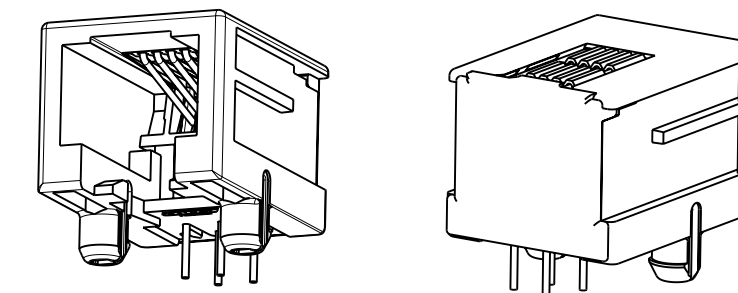
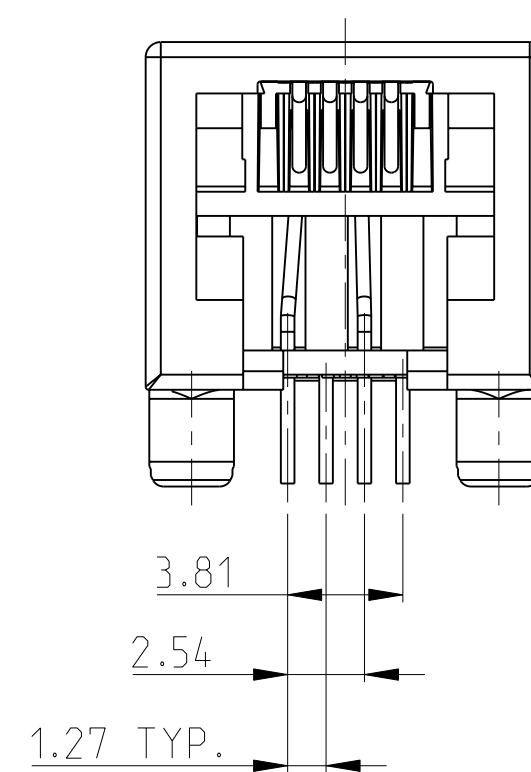
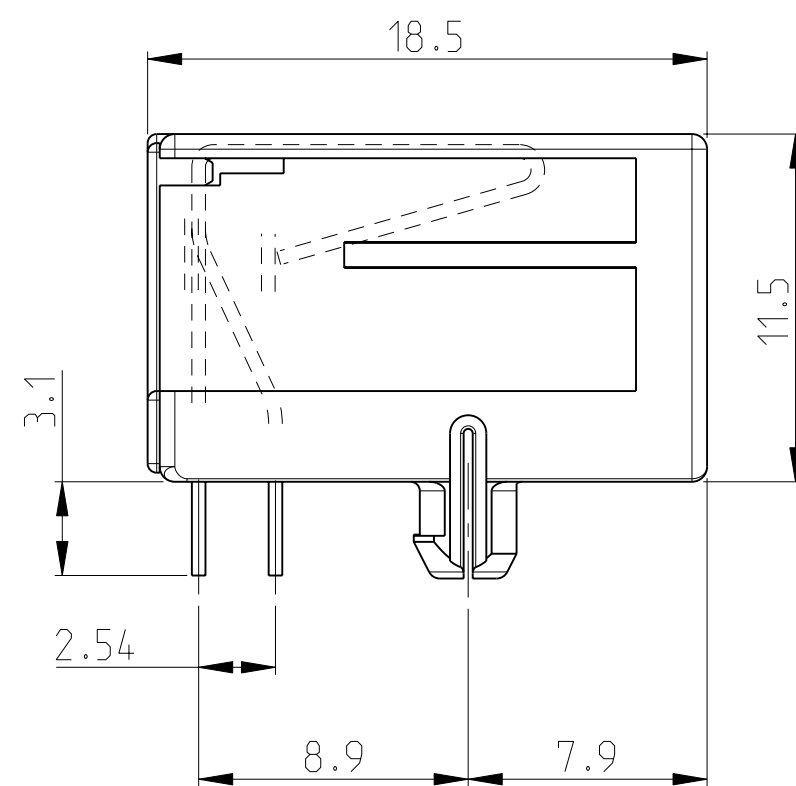
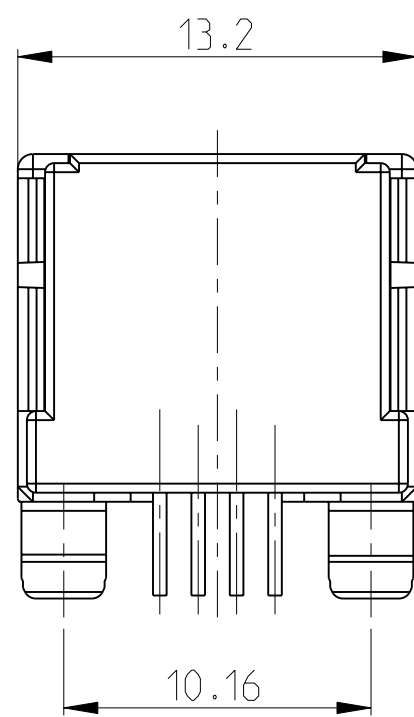
PACKAGING	REMARKS	FINISH	MATERIAL	P/N
BULK PACKED 1000 PCS IN A BOX			HOUSING COLOR BLACK PBT, UL94 V-0	5-215876-4
240 PIECES IN A TRAY	6 POS./ 6 CONTACTS	IN CONTACT AREA: 1,2 µm MIN. SEL. GOLD OVER 1,2 µm MIN. NICKEL	CONTACT INSERT: PBT, UL94 V-0	5-215876-3
TAPE MOUNTED 800 PCS/REEL		SOLDER TINES: 2,5 µm MIN. TIN OVER 1,2 µm MIN. NICKEL	CONTACT COVER: PBT, UL94 V-0	5-215876-1
			CONTACTS: PHI-BRONZE	

THIS DRAWING IS A CONTROLLED DOCUMENT.		DWN P.Willems 10-OCT-05	TE Connectivity	
		CHK P.Willems 10-OCT-05		
		APVD J.Broeksteeg 10-OCT-05	NAME MODULAR JACK, SIDE ENTRY, 6/6 FOR PRINTED CIRCUIT BOARD WITH CONTACT COVER	
DIMENSIONS: mm		PRODUCT SPEC 108-19064	SIZE A2	CAGE CODE
TOLERANCES UNLESS OTHERWISE SPECIFIED:		APPLICATION SPEC 114-19019	DRAWING NO C-215876	RESTRICTED TO
0 PLC ±		WEIGHT -	SCALE 4:1	SHEET 3 OF 4
1 PLC ±		CUSTOMER DRAWING	REV AA1	
2 PLC ±				
3 PLC ±				
4 PLC ±				
ANGLES ±				
FINISH -				

THIS DRAWING IS UNPUBLISHED. RELEASED FOR PUBLICATION 2000
 © COPYRIGHT 2000 ALL RIGHTS RESERVED.

LOC	DIST	REVISIONS			
P	LTR	DESCRIPTION	DATE	DWN	APVD
IR	-	SEE SHEET 1	-	-	-

- 1 SEE SHEET 3 FOR MODULAR JACK 6 POS./6 CONTACTS WITH CONTACT COVER.
- 2 FOR APPLICATION INFORMATION SEE SPEC. 114-19019.
- 3 FOR PERFORMANCE REQUIREMENT SEE SPEC. 108-19064.
- 4 TOLERANCES UNLESS OTHERWISE SPECIFIED: ±0,15.



PRINTED CIRCUIT BOARD LAYOUT (6 POS./4 CONTACT)

[VIEW SHOWN IS CIRCUIT (NON-COMPONENT) SIDE OF BOARD]
 PRINTED CIRCUIT BOARD THICKNESS: 1,6mm NOMINAL.
 TOLERANCES UNLESS OTHERWISE SPECIFIED: ± 0,05.

OBSOLETE

TAPE MOUNTED 800 PCS/REEL	6 POS./ 4 CONTACTS	IN CONTACT AREA: 1,2 µm MIN. SEL. GOLD OVER 1,2 µm MIN. NICKEL	HOUSING COLOR BLACK PBT, UL94 V-0	5-215876-2
		SOLDER TINES: 2,5 µm MIN. TIN OVER 1,2 µm MIN. NICKEL	CONTACT INSERT: PBT, UL94 V-0	
PACKAGING	REMARKS	FINISH	MATERIAL	P/N
			CONTACT COVER: PBT, UL94 V-0	
			CONTACTS: PH-BRONZE	

THIS DRAWING IS A CONTROLLED DOCUMENT.		DWN P.Willems 10-OCT-05	TE Connectivity	
DIMENSIONS: mm		CHK P.Willems 10-OCT-05		
TOLERANCES UNLESS OTHERWISE SPECIFIED:		APVD J.Broeksteeg 10-OCT-05	NAME MODULAR JACK, SIDE ENTRY, 6/4 FOR PRINTED CIRCUIT BOARD WITH CONTACT COVER	
0 PLC ±	1 PLC ±	PRODUCT SPEC 108-19064	SIZE A2	CAGE CODE
2 PLC ±	3 PLC ±	APPLICATION SPEC 114-19019	DRAWING NO C-215876	RESTRICTED TO
4 PLC ±	ANGLES ±	WEIGHT -	SCALE 4:1	SHEET 4 OF 4
MATERIAL -	FINISH -	CUSTOMER DRAWING	REV AA1	