



Chipsmall Limited consists of a professional team with an average of over 10 year of expertise in the distribution of electronic components. Based in Hongkong, we have already established firm and mutual-benefit business relationships with customers from,Europe,America and south Asia,supplying obsolete and hard-to-find components to meet their specific needs.

With the principle of “Quality Parts,Customers Priority,Honest Operation,and Considerate Service”,our business mainly focus on the distribution of electronic components. Line cards we deal with include Microchip,ALPS,ROHM,Xilinx,Pulse,ON,Everlight and Freescale. Main products comprise IC,Modules,Potentiometer,IC Socket,Relay,Connector.Our parts cover such applications as commercial,industrial, and automotives areas.

We are looking forward to setting up business relationship with you and hope to provide you with the best service and solution. Let us make a better world for our industry!



Contact us

Tel: +86-755-8981 8866 Fax: +86-755-8427 6832

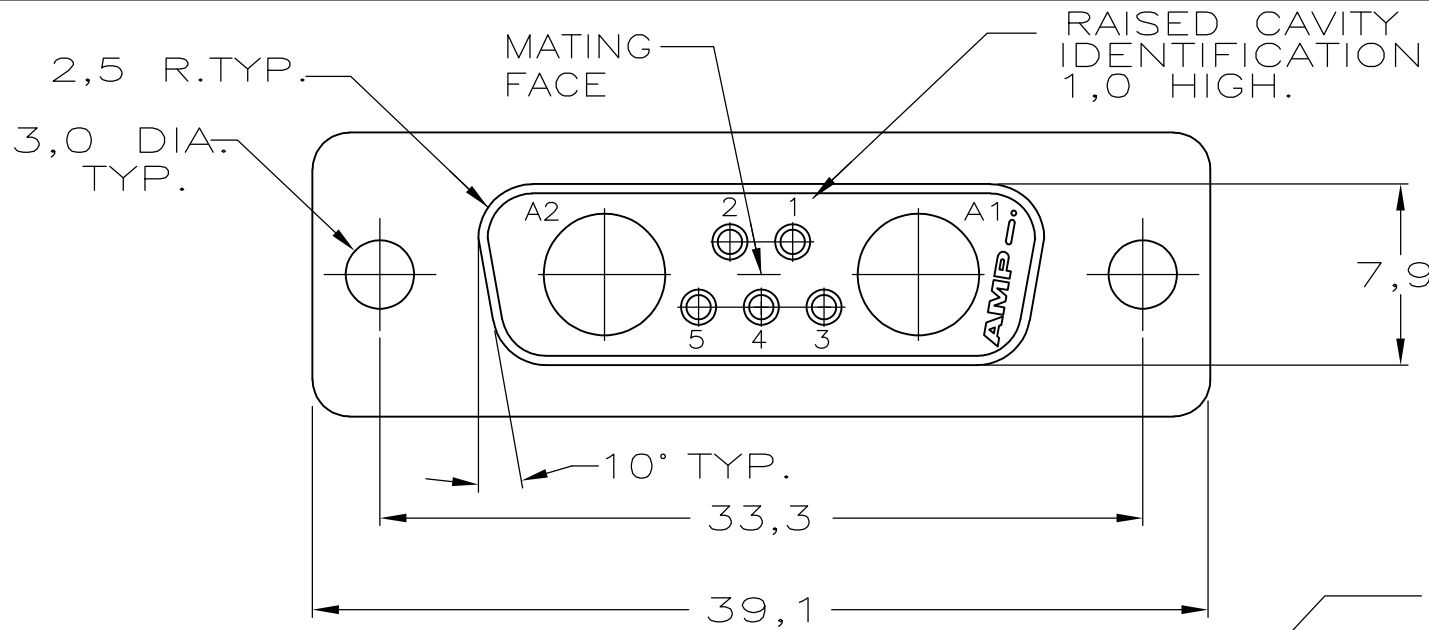
Email & Skype: info@chipsmall.com Web: www.chipsmall.com

Address: A1208, Overseas Decoration Building, #122 Zhenhua RD., Futian, Shenzhen, China

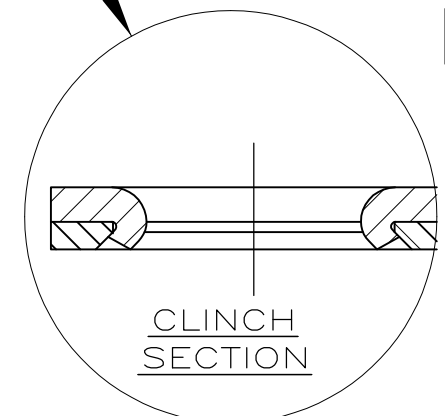
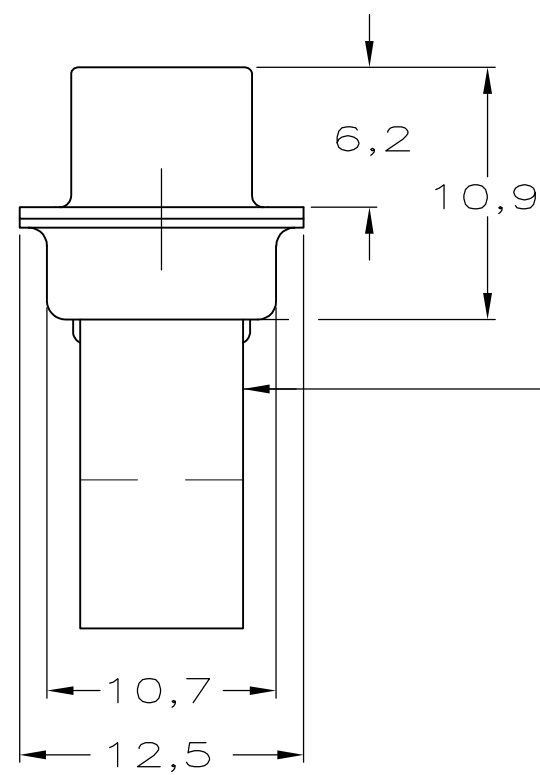
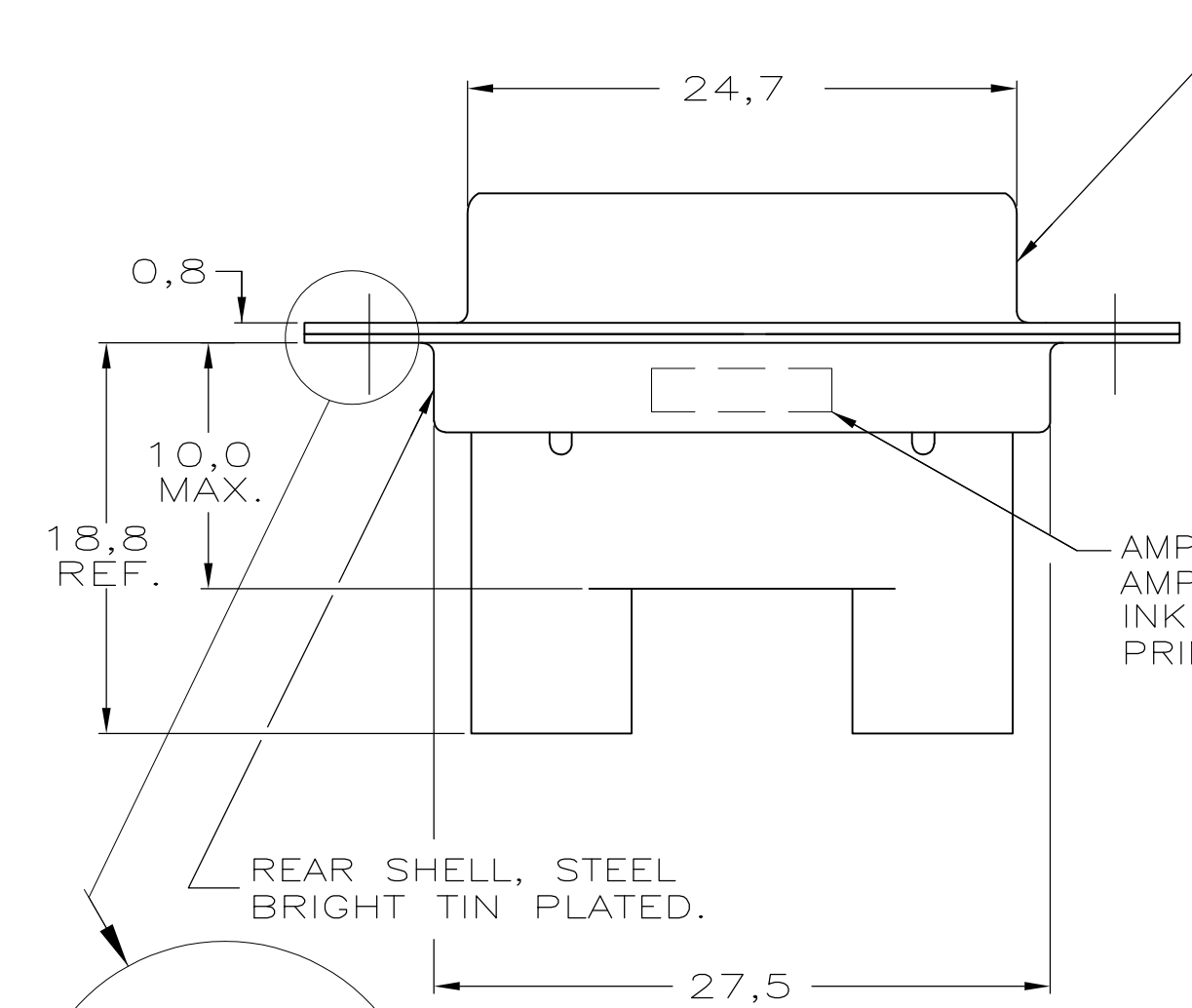


THIS DRAWING IS UNPUBLISHED. RELEASED FOR PUBLICATION
 © COPYRIGHT - By - ALL RIGHTS RESERVED.

LOC	DIST	REVISIONS					
GP	00	P	LTR	DESCRIPTION	DATE	DWN	APVD
		D		REVISED PER ECO-14-008376	11DEC2014	CJV	DLG



NOTES: 1 THIS PLUG ACCEPT SIZE 20 SIGNAL SOCKET-CONTACTS AND SIZE 8 POWER/COAX SOCKET-CONTACTS.
 2 FOLLOWING INSERTION/REMOVAL TOOLS ARE RECOMMENDED FOR USE WITH THESE CONNECTORS,
 SIGNAL CONTACTS:
 32-28AWG/28-24AWG CONT's | 24-20AWG CONTACTS
 91067-3 INSERTION/REMOVAL | 91067-2 INSERTION/REMOVAL
 726363-1 INSERTION ONLY | 726363-1 INSERTION ONLY
 726364-1 REMOVAL ONLY
 POWER/COAX CONTACTS : 58095-1 REMOVAL ONLY



215927-1
PART NUMBER

THIS DRAWING IS A CONTROLLED DOCUMENT.		DWN R. VISSER 17NOV1987	STE TE Connectivity	
DIMENSIONS: mm		CHK C. v. TILBURG 17NOV1987		
TOLERANCES UNLESS OTHERWISE SPECIFIED:		APVD L. V. SOEST 23NOV1987	NAME HDP-20 REC. CONNECTOR, 7C2, MIXED (SIZE 2) (HIGH PROFILE)	
0 PLC ± -	1 PLC ± -	PRODUCT SPEC -	SIZE A3	CAGE CODE 00779
2 PLC ± -	3 PLC ± -	APPLICATION SPEC -	DRAWING NO C-215927	RESTRICTED TO -
4 PLC ± -	ANGLES ± -	WEIGHT -	SCALE NTS SHEET 1 OF 1 REV D	
MATERIAL -	FINISH -	CUSTOMER DRAWING		