



Chipsmall Limited consists of a professional team with an average of over 10 year of expertise in the distribution of electronic components. Based in Hongkong, we have already established firm and mutual-benefit business relationships with customers from,Europe,America and south Asia,supplying obsolete and hard-to-find components to meet their specific needs.

With the principle of "Quality Parts,Customers Priority,Honest Operation,and Considerate Service",our business mainly focus on the distribution of electronic components. Line cards we deal with include Microchip,ALPS,ROHM,Xilinx,Pulse,ON,Everlight and Freescale. Main products comprise IC,Modules,Potentiometer,IC Socket,Relay,Connector.Our parts cover such applications as commercial,industrial, and automotives areas.

We are looking forward to setting up business relationship with you and hope to provide you with the best service and solution. Let us make a better world for our industry!



## Contact us

Tel: +86-755-8981 8866 Fax: +86-755-8427 6832

Email & Skype: info@chipsmall.com Web: www.chipsmall.com

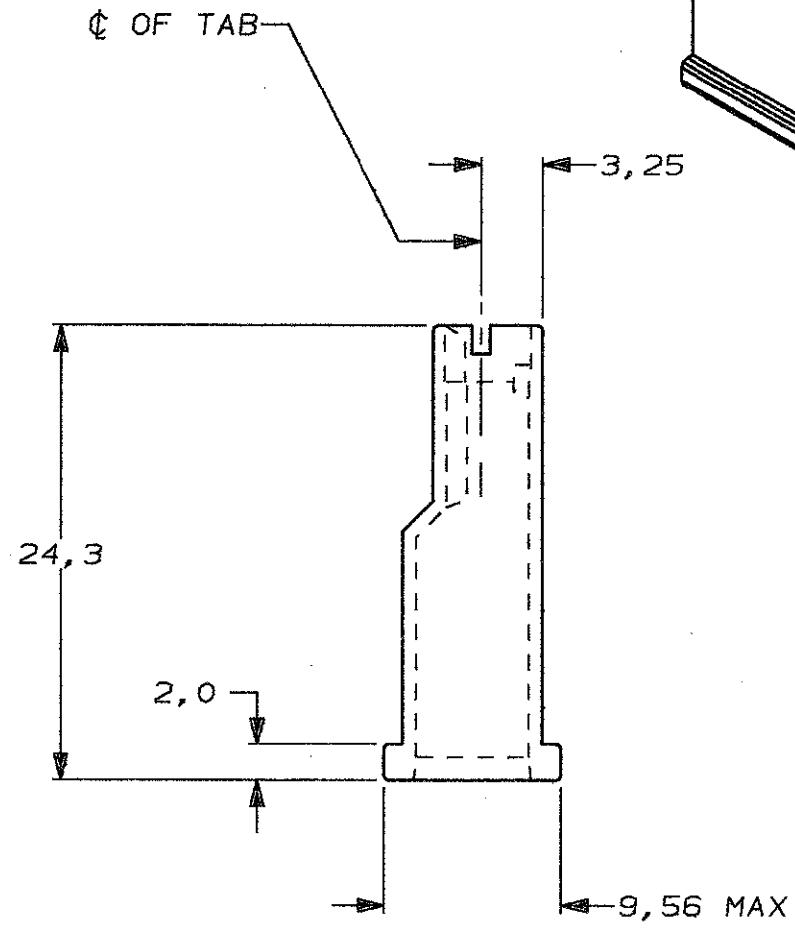
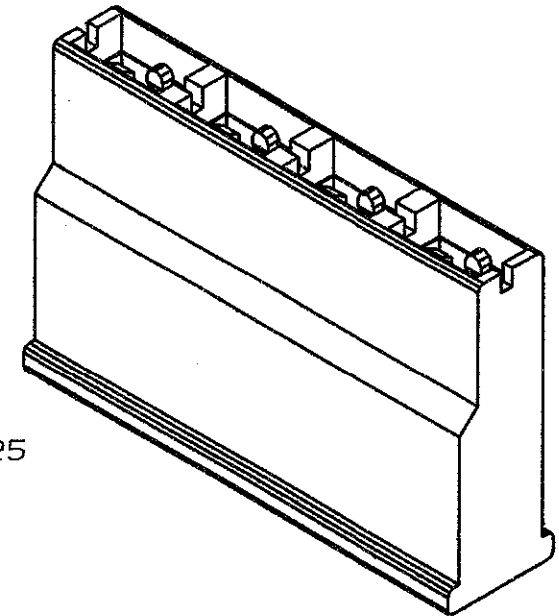
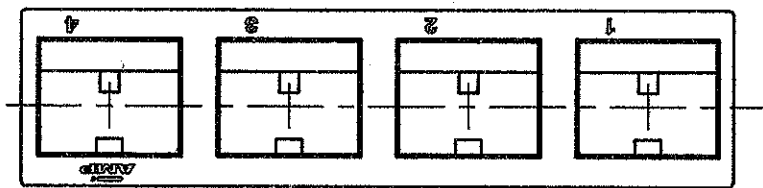
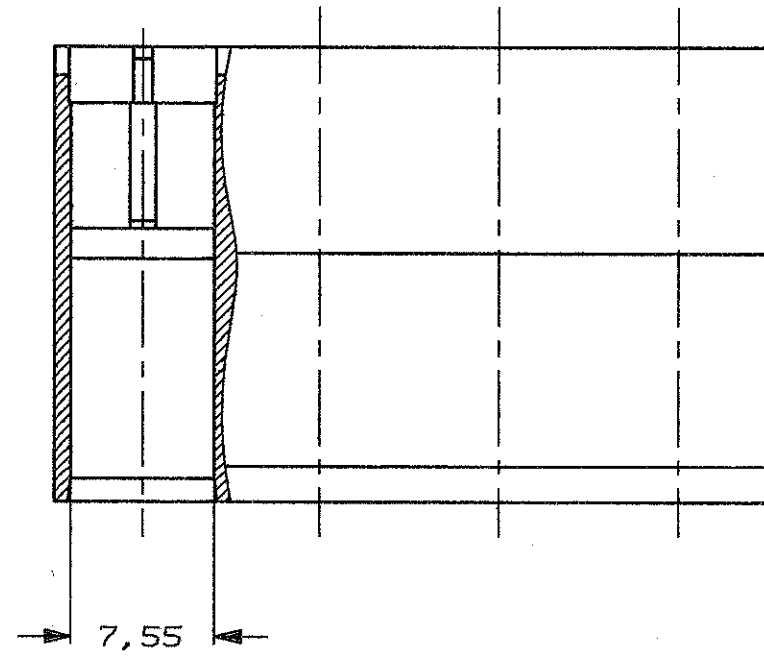
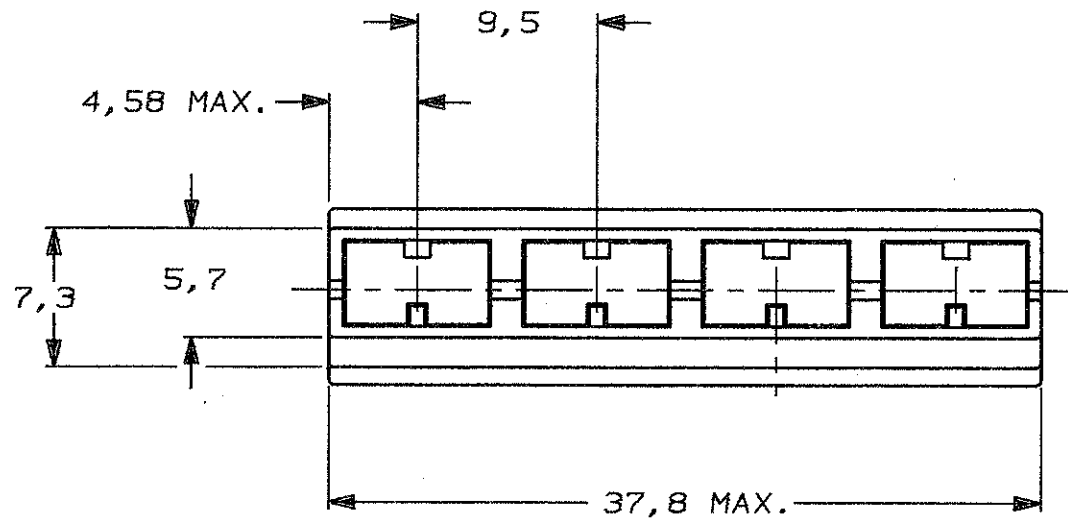
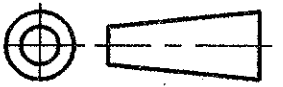
Address: A1208, Overseas Decoration Building, #122 Zhenhua RD., Futian, Shenzhen, China



DO NOT SCALE  
DIMENSIONS IN mm

METRIC

THIRD ANGLE  
PROJECTION



BLACK	PA 6/6 94V2	215956-1
COLOUR	MATERIAL	PARTNUMBER

**CUSTOMER DRAWING**

FOR REFERENCE ONLY  
WILL NOT BE UPDATED

**AMP** AMP-HOLLAND B.V.  
's-Hertogenbosch, The Netherlands.

THIS DRAWING IS UNPUBLISHED RELEASED FOR PUBLICATION MARCH, 1988

© COPYRIGHT 1988 BY AMP-HOLLAND B.V.  
ALL INTERNATIONAL RIGHTS RESERVED.  
AMP PRODUCTS MAY BE COVERED BY U.S. AND FOREIGN PATENTS AND/OR PATENTS PENDING.

DR. L.v.D.HEYDEN	DATE 24.03.1988	WIRE RANGE -	NAME 4 POSITION POSITIVE LOCK HOUSING	REV.DATE D M Y 03 11 88
CHK. R.v.Lokven	DATE 28.04.88	INSUL. RANGE -	DWG. No. C-215956	REV.LTR. A
APP. L.v.Soest	DATE 03.05.88	SIZE A3	SHEET 1 OF 1	

8 7 6 5 4 3 2 1