



Chipsmall Limited consists of a professional team with an average of over 10 year of expertise in the distribution of electronic components. Based in Hongkong, we have already established firm and mutual-benefit business relationships with customers from,Europe,America and south Asia,supplying obsolete and hard-to-find components to meet their specific needs.

With the principle of “Quality Parts,Customers Priority,Honest Operation,and Considerate Service”,our business mainly focus on the distribution of electronic components. Line cards we deal with include Microchip,ALPS,ROHM,Xilinx,Pulse,ON,Everlight and Freescale. Main products comprise IC,Modules,Potentiometer,IC Socket,Relay,Connector.Our parts cover such applications as commercial,industrial, and automotives areas.

We are looking forward to setting up business relationship with you and hope to provide you with the best service and solution. Let us make a better world for our industry!



Contact us

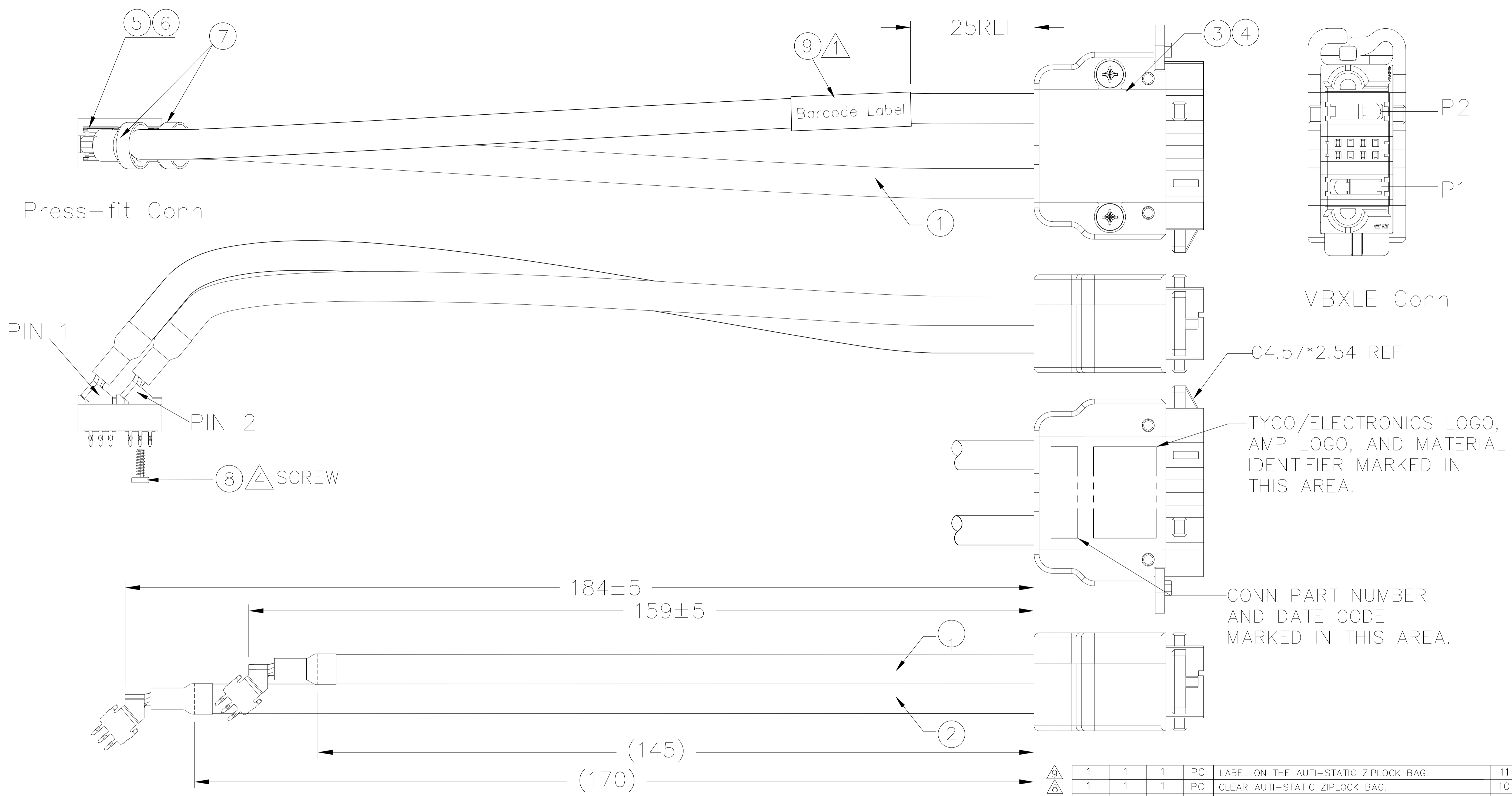
Tel: +86-755-8981 8866 Fax: +86-755-8427 6832

Email & Skype: info@chipsmall.com Web: www.chipsmall.com

Address: A1208, Overseas Decoration Building, #122 Zhenhua RD., Futian, Shenzhen, China



REVISIONS				
P	LTR	DESCRIPTION	DATE	APPV
D2		Correct revision	25MAR2017	JX DZ



NOTES:
 △ THE MARKING TEXT AS FOLLOWS:

Press-fit Cable
 TE P/N: 2159562-X
 SN: PCTYYWSSSSSS

TE PN
 BAR CODE
 PCT-Press-fit Cable.YYWW-DATE CODE, SSSSS-SERIES NUMBER.

- 100% ELECTRICALLY TESTED: OPEN/SHORT, HI-POT. HI-POT: 500VDC, 50 MEGAOHMS FOR 100 MILLISECONDS.
- ROHS COMPLIANCE: PRODUCT AND PROCESSING MEETS REQUIREMENTS OF TE SPECIFICATION TEC-138-702.
- SCREW FOR PRESS-FIT CONN WILL BE PACKAGED SEPARATELY. RECOMMEND TOOL FOR SCREW: SIZE RANGE 1.7~2MM CROSS SCREWDRIVER, TORQUE RANGE 0.10~0.15N.M.

TE P/N WITH SCREW,LSZH	2159562-3
TE P/N W/O SCREW	2159562-2
TE P/N WITH SCREW	2159562-1

WIRING CHART:

MBXLE Conn	Press-fit Conn	WIRE COLOR	WIRE SIZE
P1	PIN 2	BLACK	8AWG
P2	PIN 1	RED	8AWG

QTY	UNIT	DESCRIPTION	ITEM NO
1	1	PC LABEL ON THE ANTI-STATIC ZIPLOCK BAG.	11
1	1	PC CLEAR ANTI-STATIC ZIPLOCK BAG.	10
1	1	PC LABEL ON WIRE.	9
1	-	PC M1.6 SCREW FOR PRESS-FIT HOUSING.	8
AR	AR	MM HEAT SHRINK TUBE. HF	7
1	1	PC PRESS FIT HOUSING.	6
2	2	PC PRESS FIT CONTACT.	5
2	2	PC MBXLE PLUG POWER CONTACT	4
1	1	PC MBXLE PLUG ASSY: TOP+BOTTOM+HEADER+SCREW	3
AR	-	M WIRE, 8AWG,HIGH STRAND/HIGH FLEX, RED,LSZH	2
-	AR	M WIRE, 8AWG,HIGH STRAND/HIGH FLEX,RED. VENDOR:Hwatek.Alternative:New England.	2
AR	-	M WIRE, 8AWG,HIGH STRAND/HIGH FLEX, BLACK,LSZH VENDOR:Hwatek.Alternative:New England.	1
-	AR	M WIRE, 8AWG,HIGH STRAND/HIGH FLEX, BLACK. VENDOR:Hwatek.Alternative:New England.	1
-3	-2	-1	U/M

THIS DRAWING IS A CONTROLLED DOCUMENT.

TE Connectivity

108-128013/2157-1

114-32129/1316

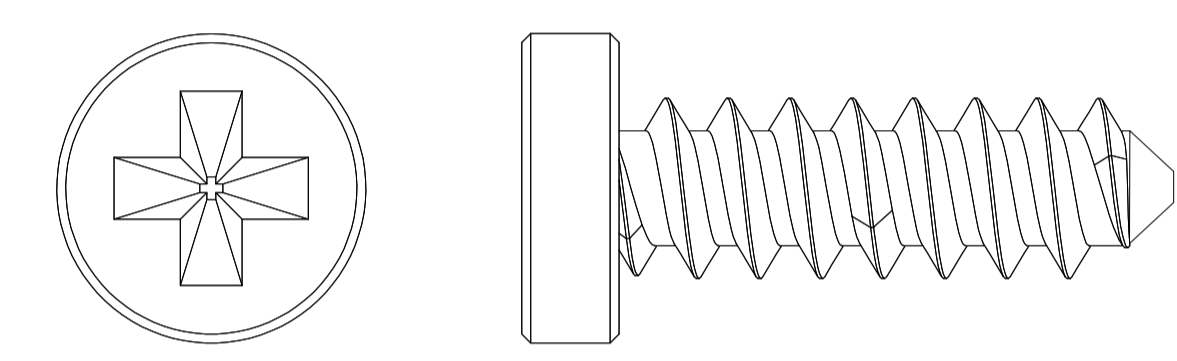
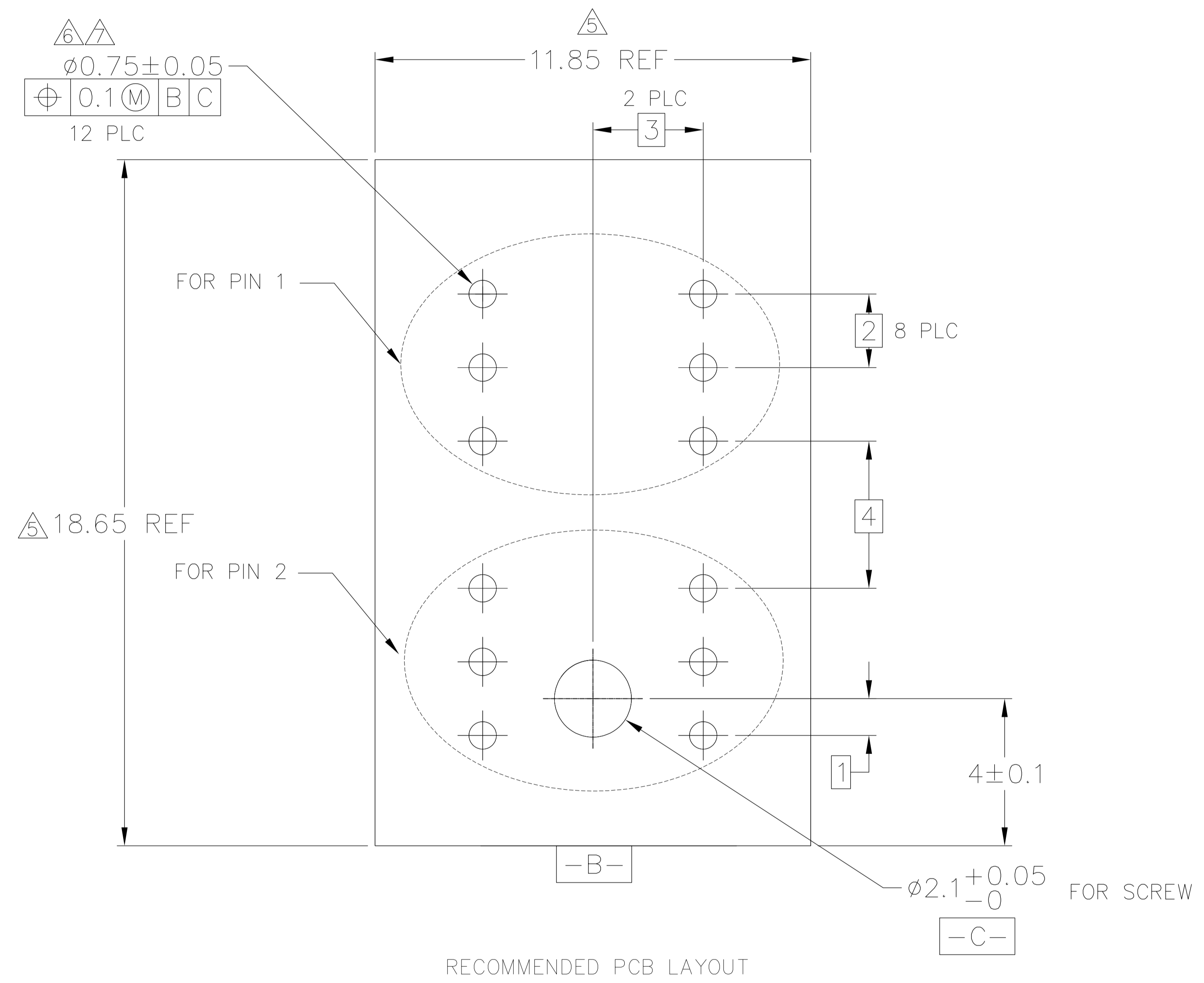
63Gram

00779

2159562

SCALE: N.T.S. SHEET 1 OF 2 REV. D2

REVISIONS				
P	LTR	DESCRIPTION	DATE	APPV
-	-	SEE SHEET 1	-	-



RECOMMENDED RETENTION SCREW
SCREW LENGTH 6.5 IS DESIGNED
FOR 2.16mm THICKNESS BOARD

NOTES:

- 5 MECHANICAL CONNECTOR KEEP OUT ZONE.
- 6 PCB- ALL HOLE DIAMETERS ARE FINISHED HOLE SIZES.
- 7 PCB- 0.85+0.01/-0.04 DRILLED HOLES PLATED WITH 0.0009 MIN TIN OVER 0.025 MIN Cu PLATING TO ACHIEVE A 0.75±0.05 HOLE.
- 8 INDIVIDUALLY PACK EACH CABLE ASSEMBLY WITH A CLEAR ANTI-STATIC ZIPLOCK BAG.
- 9 APPLY LABEL ONTO CLEAR ANTI-STATIC ZIPLOCK BAG, THE MARKING TEXT AS FOLLOWS:

TE P/N REV.*	— TE PN &REV.
DATE CODE: YYWW	— YY: Year; WW: week.
MADE IN ****	— Country of Origin

THIS DRAWING IS A CONTROLLED DOCUMENT.		DWN Grace, Li	16DEC2013	 TE Connectivity
DIMENSIONS: mm		CHK Glen Gutgold	16DEC2013	
TOLERANCES UNLESS OTHERWISE SPECIFIED:		APVD Wesley Wang	16DEC2013	NAME CABLE ASSY,PRESS FIT POWER
0 PLC	± -	PRODUCT SPEC		SEE SHEET 1
1 PLC	± -	APPLICATION SPEC		SEE SHEET 1
2 PLC	± -	SIZE		A1
3 PLC	± -	CAGE CODE		00779
4 PLC	± -	DRAWING NO		2159562
ANGLES	± -	WEIGHT		SEE SHEET 1
MATERIAL	-	FINISH		-
CUSTOMER DRAWING		SCALE		N.T.S.
SHEET		2		2
REV		D2		-