



Chipsmall Limited consists of a professional team with an average of over 10 year of expertise in the distribution of electronic components. Based in Hongkong, we have already established firm and mutual-benefit business relationships with customers from,Europe,America and south Asia,supplying obsolete and hard-to-find components to meet their specific needs.

With the principle of “Quality Parts,Customers Priority,Honest Operation,and Considerate Service”,our business mainly focus on the distribution of electronic components. Line cards we deal with include Microchip,ALPS,ROHM,Xilinx,Pulse,ON,Everlight and Freescale. Main products comprise IC,Modules,Potentiometer,IC Socket,Relay,Connector.Our parts cover such applications as commercial,industrial, and automotives areas.

We are looking forward to setting up business relationship with you and hope to provide you with the best service and solution. Let us make a better world for our industry!



## Contact us

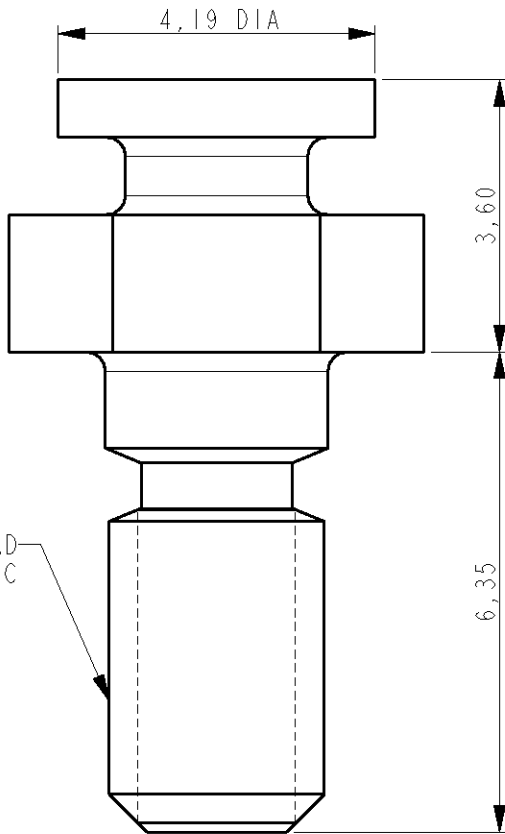
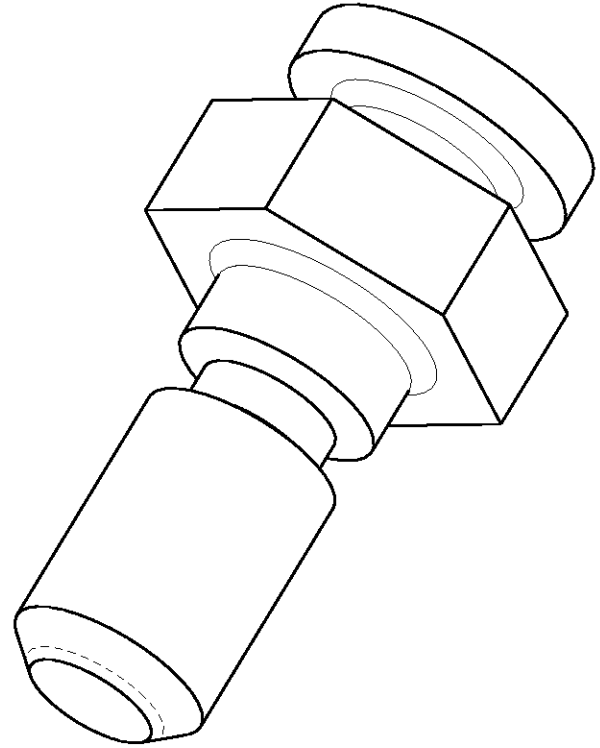
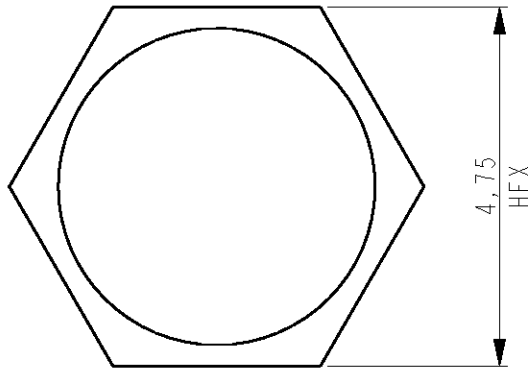
Tel: +86-755-8981 8866 Fax: +86-755-8427 6832

Email & Skype: info@chipsmall.com Web: www.chipsmall.com

Address: A1208, Overseas Decoration Building, #122 Zhenhua RD., Futian, Shenzhen, China



LOC	DIST	REVISIONS					
H	-	P	LTR	DESCRIPTION	DATE	DWN	APVD
		A	H-7564		19-05-88	BM	CvT
		B	H-7904		20-04-89	PB	CvT
		C	ECR-07-006207		19MAR2007	DC	TdB



RELEASED FOR PUBLICATION

THIS DRAWING IS UNPUBLISHED.

© COPYRIGHT - BY TYCO ELECTRONICS CORPORATION. ALL RIGHTS RESERVED.

BRIGHT TIN PLATED	215965-3	
ZINC PLATED YELLOW CHROMATED	215965-2	SUPERSEDED BY 215965-3
FINISH	PARTNUMBER	REMARK

DIMENSIONS: mm	DWN B.MOOIJ 14SEP88	MATERIAL STEEL	FINISH SEE TABLE
	CHK CvTILBURG 15SEP88	Tyco Electronics Nederland BV 's-Hertogenbosch, The Netherlands	
TOLERANCES UNLESS OTHERWISE SPECIFIED:	APVD LvSOEST 10OCT88		
0 PLC ±-	PRODUCT SPEC -	SIZE A4	CAGE CODE 00779
1 PLC ±-	APPLICATION SPEC -	DRAWING NO C=215965	RESTRICTED TO -
2 PLC ±0,13	WEIGHT -	CUSTOMER DRAWING	
3 PLC ±-		SCALE 10:1	SHEET 1 OF 1
4 PLC ±-			REV C
ANGLES ±2°			